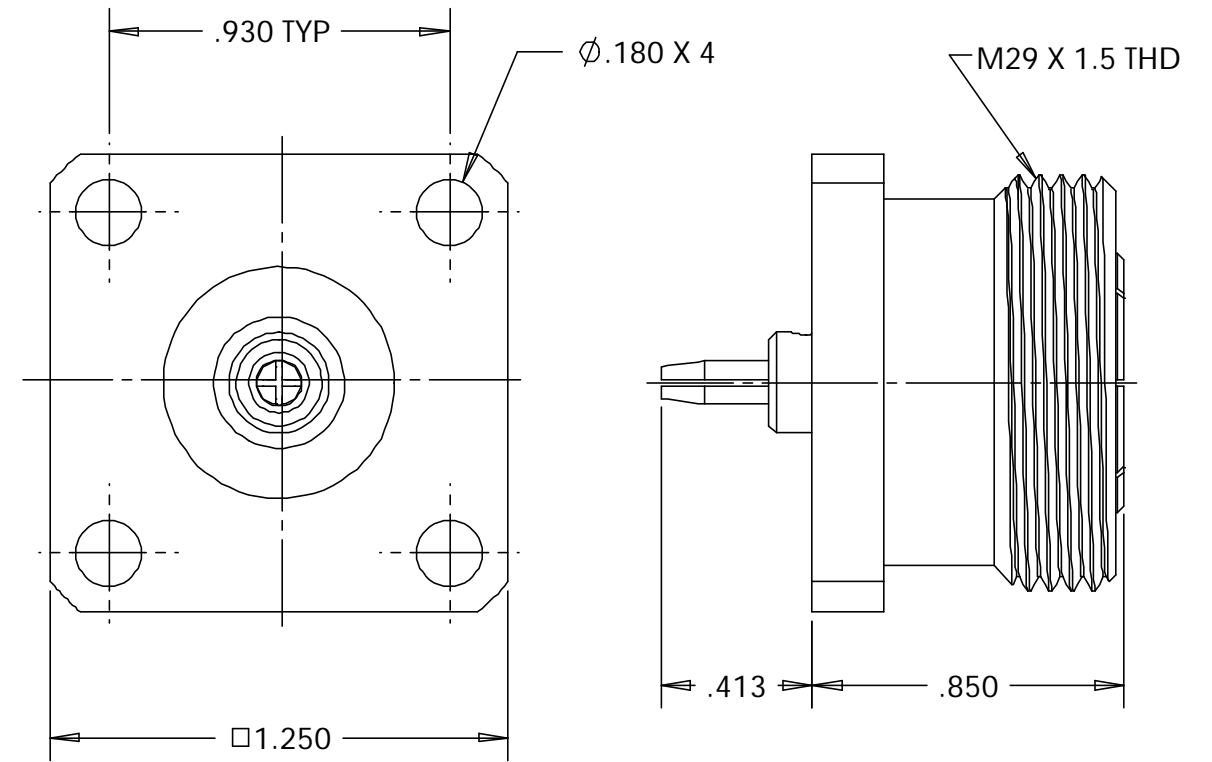
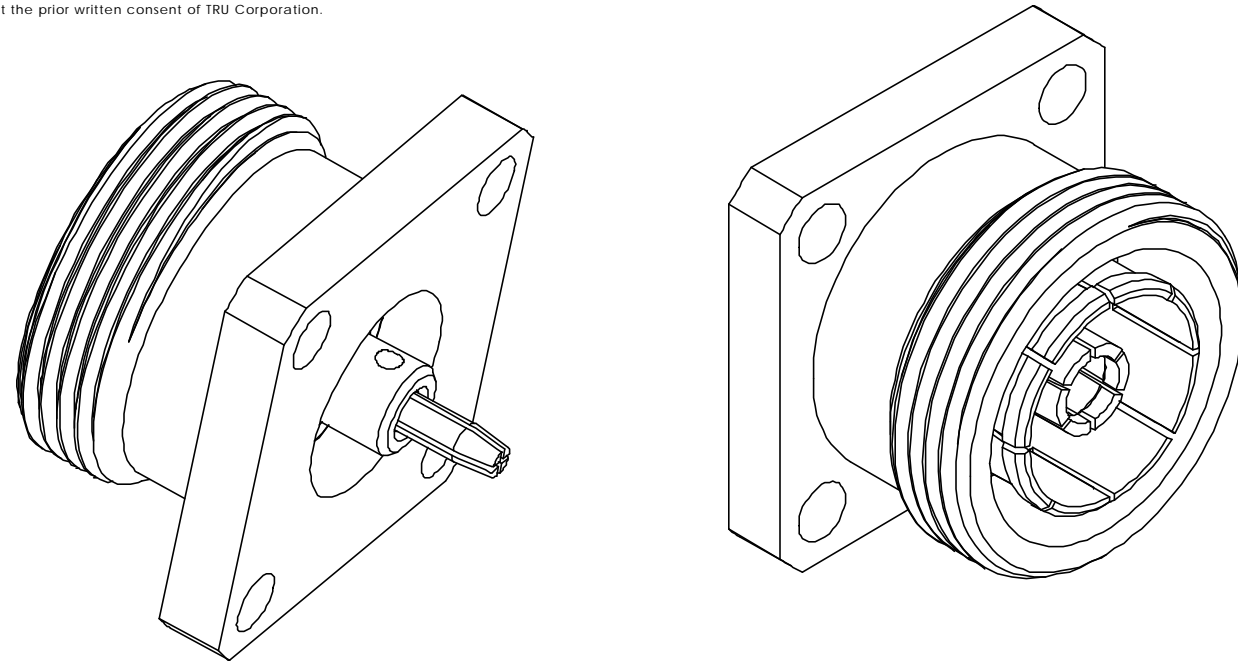


This document, including the design, configuration and mechanical features revealed herein are the sole, confidential and proprietary property of TRU Corporation. Reproduction or use thereof, in whole or part, is prohibited without the prior written consent of TRU Corporation.

REV.	DESCRIPTION	DATE	APPROVED
-	ORIGINAL ISSUE	1/16/00	RMK
A	CHANGED PER ECO 2752	7/12/05	DA




ENGINEERING DATA:

MATERIAL:
 INSULATOR: PTFE (TEFLON)
 CONTACTS: BERYLLIUM COPPER
 BODY: BRASS

FINISH:
 CONTACTS: SILVER PLATED
 BODY: NICKEL PLATED

NOTES:
 1. UNLESS OTHERWISE SPECIFIED; ALL DIMENSIONS ARE REFERENCE ONLY.

MATERIAL	DO NOT SCALE DRAWING	DRAWN RMK	DATE 1/16/00	 TRU CORPORATION 245 LYNNFIELD STREET, PEABODY, MA 01960 <i>The Custom Interconnect Leader™</i>	
	UNLESS OTHERWISE SPECIFIED: DIMENSIONS ARE IN INCHES	ENG APPR. Koch	DATE 1/16/00		
		MFG APPR.	DATE		
		OTHER APPR.	DATE		
COMMENTS:	TOLERANCES: FRACTIONS: $\pm 1/64$.XX : $\pm .01$.XXX: $\pm .005$ ANGLES: $\pm 1/2^\circ$ MACHINED SURFACES: $63 \sqrt{\quad}$	THIRD ANGLE PROJECTION		TITLE: CONNECTOR, COAXIAL, RF QC(m) to 7-16(f) ADAPTER, STRAIGHT	
path: S:\Warren - WIP\TRU-6813\ surface area: sq inch		weight: lbs	SIZE B	DWG. NO. TRU-6813	REV A
		CAGE CODE: 92180	SCALE: 2:1	SHEET 1 OF 1	