

SNA-1 Series

FC ADAPTOR

- for Angled-PC -

TECHNICAL SPECIFICATIONS

Seiko Instruments Inc.
Components Headquarters
8, Nakase 1-Chome
Mihama-ku, Chiba-shi, Chiba-ken
261-8507 JAPAN
Telephone : 043-211-1211
Facsimile : 043-211-8039

SNA-1 Series FC ADAPTOR - for Angled-PC -
TECHNICAL SPECIFICATIONS

Document Number NCD-4OC2-04

NCD-4OC2-01	October 1994
NCD-4OC2-02	June 1997
NCD-4OC2-03	May 1998
NCD-4OC2-04	February 2001

Copyright 1994, 1997, 1998, 2001 by Seiko Instruments Inc.
All right reserved.

The information contained herein shall not reproduced or disclosed to any third party
without the express written consent of SII.

The Specifications contained herein are subject to change without notice.

SII is a trademark of Seiko Instruments Inc.

Please address any questions, comments, and suggestions to:

Seiko Instruments USA Inc.

Electronics Components Division
2990 West Lomita Boulevard
Torrance, CA 90505, U.S.A.
Phone: 310-517-7780
Fax: 310-517-7792

Seiko Instruments GmbH

OFC Division
Siemensstraße 9b
D-63263 Neu-Isenburg, Germany
Phone: 06102-297-0
Fax: 06102-297-211

Seiko Instruments (H.K.) Ltd.

Sales Department
4th & 5th Floor, Wyler Center 2
200 Tai Lin Pai Road, Kwai Chung
N.T., Kowloon, Hong Kong
Phone: 852-2421-8611
Fax: 852-2480-5479

Seiko Instruments Taiwan Inc.

Sales Department
4F, No.40, Sec. 2, Min-Chuan E Rd.,
Taipei 104, Taiwan, R.O.C.
Phone: 02-563-5001
Fax: 02-521-9519

Seiko Instruments Singapore pte. Ltd.

2, Marsiling Lane,
Woodlands New Town,
Singapore 739144, Republic of Singapore
Phone: 65-5691370
Fax: 65-5699729

TABLE OF CONTENTS

Section		Page
1	PROVISION	1
1.1	Application limit	1
2	PARTS NUMBER	1
3	GENERAL SPECIFICATIONS	2
3.1	Parts and Materials	2
3.2	Physical Dimensions	2
3.3	General Tolerances	2
3.4	Insertion Loss	2
4	PACKING	3
5	SHIPPING INSPECTION	3

Table

Table 1	Parts Number	1
Table 2	Parts and Materials	2
Table 3	General Tolerance	2
Table 4	Insertion Loss and Measurement Conditions	3

Figure

Figure 1	Insertion Loss Measurement System	2
Figure 2	SNA-1 SII Standard Type	4
Figure 3	SNA-1 JDS Compatible Type	5
Figure 4	Parts Dimensions	6

1 PROVISION

1.1 Application Limit

These specifications apply to the SNA-1 FC adaptor for angled-PC supplied by SII.

2 PARTS NUMBER

Parts Number of the adaptor is shown in Table 1.

Table 1 Parts Number

MODEL Number		TYPE Number				
SNA-1		2	2	4	0	0
Slit Sleeve				(Required)		
1	Phosphor Bronze			0		
2	Zirconia					
Marking				Specifications		
2	SNA-1 JAPAN SII			0	SII Standard	
				J	JDS Compatible	
				Cap		
				4	Green Rubber	

3 GENERAL SPECIFICATIONS

3.1 Parts and Materials

Parts and the materials are shown in Table 2.

Table 2 Parts and materials

No.	Part Name	Qty	Material	Notes
①	Housing	1	Brass	Nickel Plating
②	Sleeve	1	Brass	Nickel Plating
③	Fitting Sleeve	1	Brass	Nickel Plating
④-1	Slit Sleeve	1	Phosphor Bronze	-
④-2			Zirconia Ceramics	
⑤	Cap	2	Synthetic Rubber	Green

3.2 Physical Dimensions

Figure 2 shows the SNA-1 SII Standard Type.

Figure 3 shows the SNA-1 JDS Compatible Type.

Figure 4 shows the part dimensions.

- The SII standard type adaptor is in accordance with JIS C 5970 F01 type connector.

3.3 General Tolerances

Permissible deviation in dimensions without tolerance indication is in accordance with JIS B 0405 class m, as shown in Table 3.

Table 3 General tolerance (JIS B 0405 class m)

Basic size step [mm]		Permissible deviation [mm]
Over	Under	
0.5	3	±0.1
3	6	±0.1
6	30	±0.2

3.4 Insertion Loss

Insertion loss of the adaptor and measurement conditions are shown in Table 4.

Figure 1 shows the measurement system.

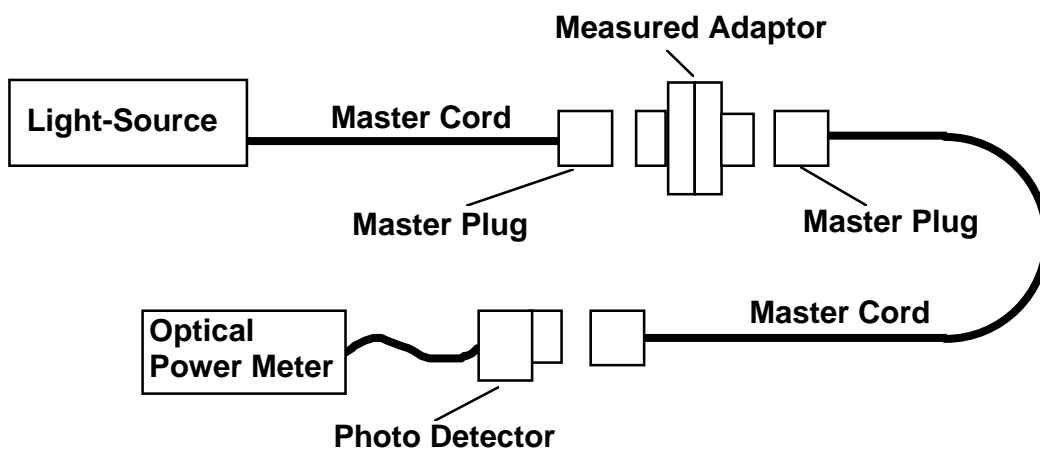


Figure 1 Insertion loss Measurement System

Table 4 Insertion Loss and Measurement Conditions

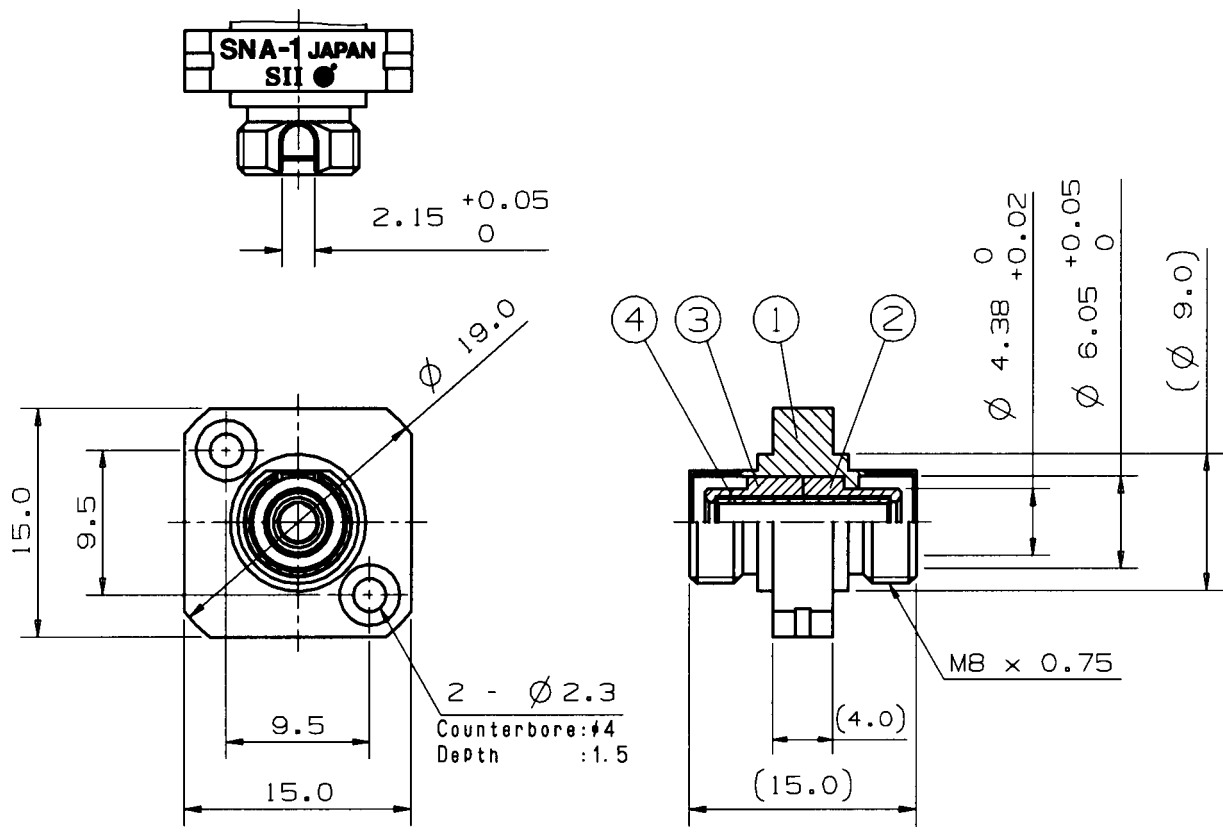
Parts Number		SNA-1 □ 24 □ 0
Insertion Loss		0.4 dB or less
Conditions	Light Source	LD
	Wave Length	1.31 μm
	Master Cord Terminated	Angled-PC Polishing

4 PACKING

The product is packed to prevent damage during shipment.

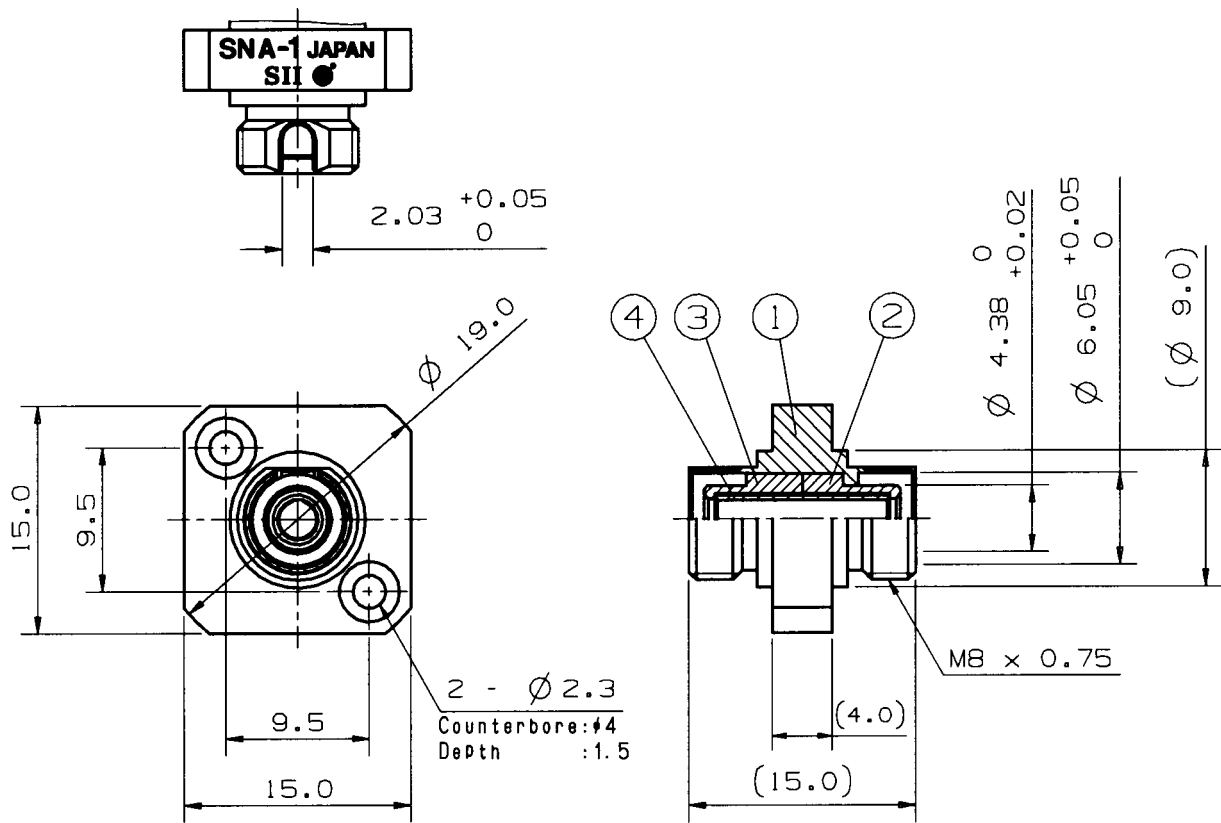
5 SHIPPING INSPECTION

Insertion loss of the adaptor is inspected before shipping.



Unit: mm

Figure 2 SNA-1 SII Standard Type



Unit: mm

Figure 3 SNA-1 JDS Compatible Type

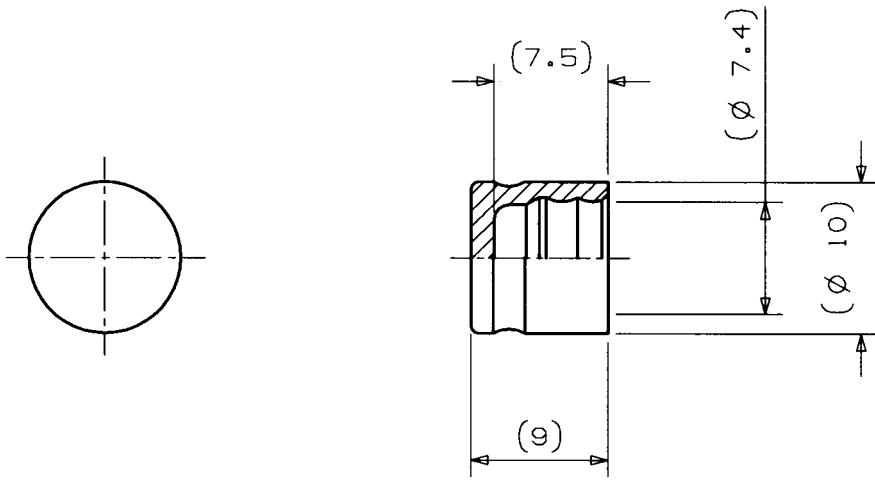


Figure 4 ⑤ Cap

Unit: mm