

P/PG-LCC

Plastic (Green) Leaded Chip Carrier Packag

Package Type P-LCC-84-2

All dimensions in mm

[Back to Package Lis](#)

Outline

Engineering Drawing

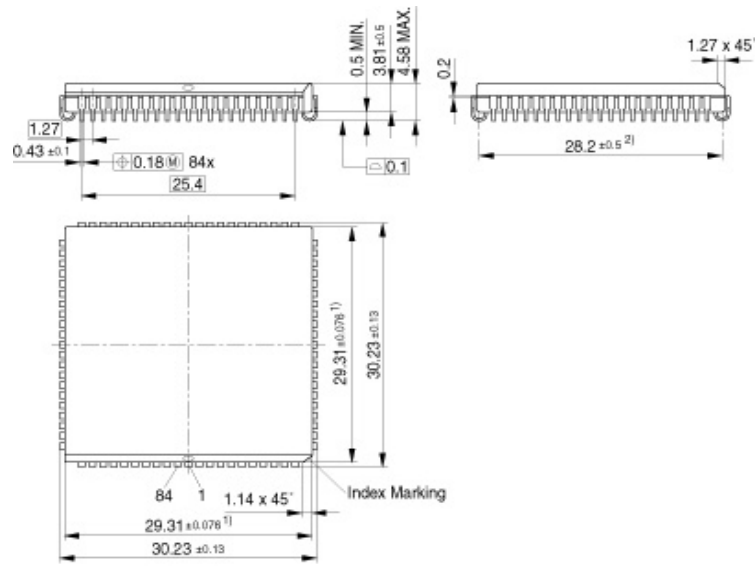
GIF
EPS



P-LCC-84-2

Engineering Drawing

GIF
EPS



¹⁾ Does not include plastic or metal protrusion of 0.25 max. per side
²⁾ Dimension from center to center

Footprint

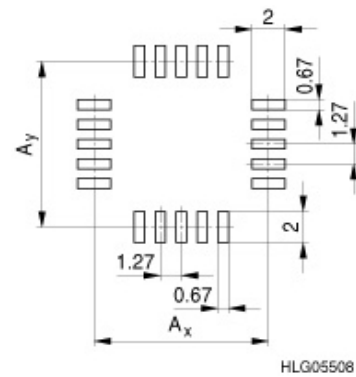
Engineering Drawing

GIF
EPS

Description

Description
Dimensions:
Ax = 30.20
Ay = 30.20

Soldering Type
Reflow Soldering



Packing

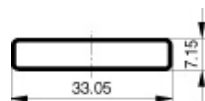
Engineering Drawing

GIF
EPS

Description

Description
Length: 528
Pieces/Tube: 15

Packing Type
Tube



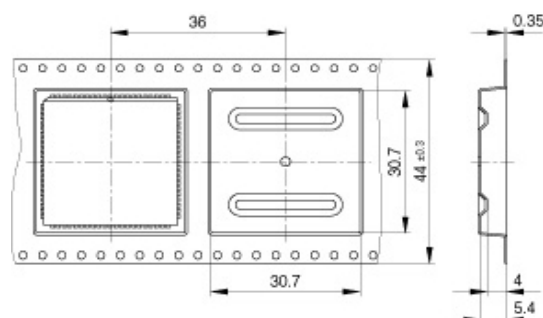
Engineering Drawing

GIF
EPS

Description

Description
ø Reel: 330
Pieces/Reel: 250

Packing Type
Tape and Reel



Downloads

[General Recommendations for Assembly of Infineon Packages\[975 KB\]](#)