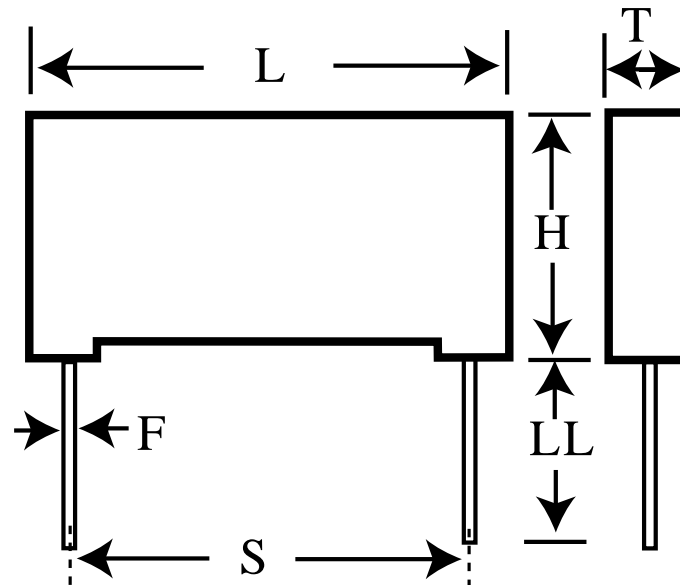


PME271Y410MR19T0

aka P271HE102M250L

Capacitor, film, 1000 pF, +/-20% Tol, -40/+100C, Safety: Y2, 250VAC,
Lead Spacing=10.2 mm



Dimensions (mm)

Specifications

ID	Dimension	Tolerance	Manufacturer:	KEMET
L	13.5	max	Brand:	Rifa
H	7.5	max	Capacitance:	1000 pF
T	3.9	max	Temperature Range:	-40/+100C
S	10.2	+/-0.4	Rated Temperature:	100C
LL	19	nom	Voltage @ rated temp:	1000V
F	0.6	nom	Voltage AC:	250VAC
			Tolerance:	+/-20%
			Body Type:	Radial Molded
			Construction:	Non-inductive
			Application:	Safety: Y2
			Dielectric:	Metallized Paper
			Dissipation Factor @ 1 kHz:	1.3%
			Insulation Resistance:	12 GOhm
			Maximum dVdT:	2000v/us
			Miscellaneous Electrical:	fo= 53 MHz series(PME271Y)
			Package Kind:	T&R
			Package Size:	360
			Package Quantity:	700