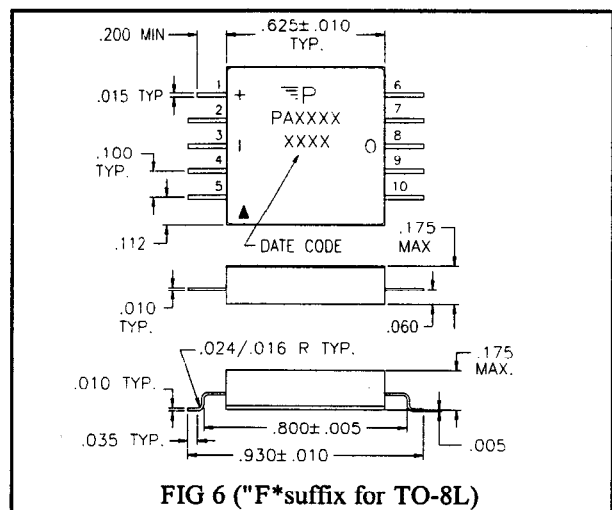
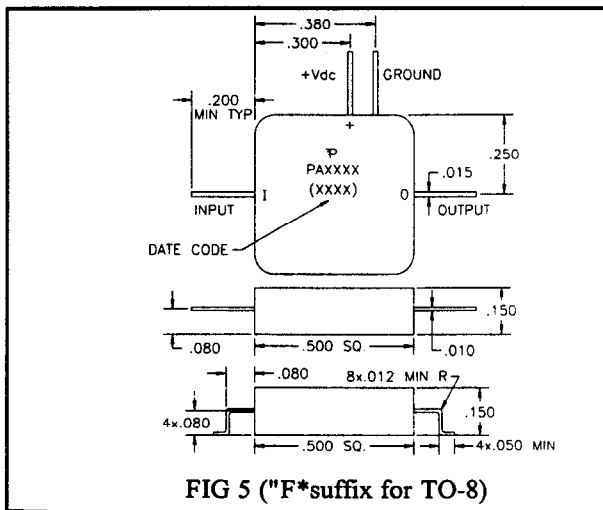
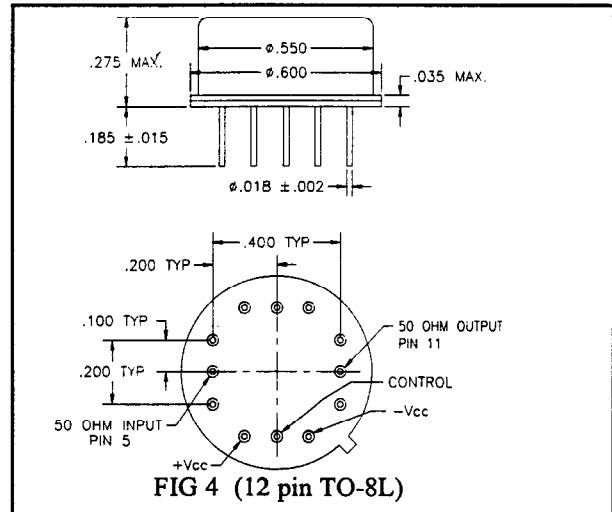
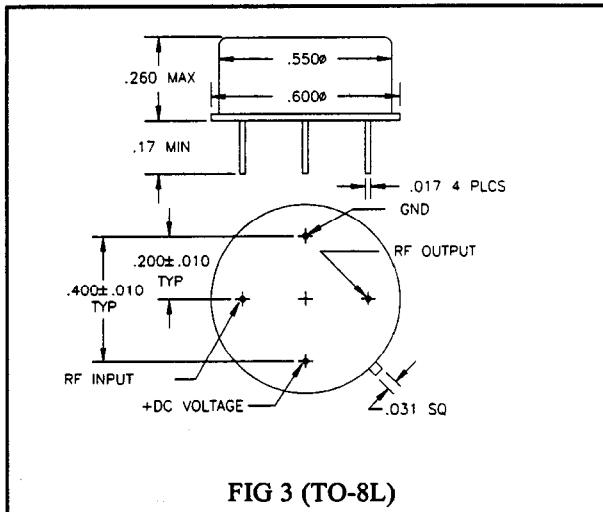
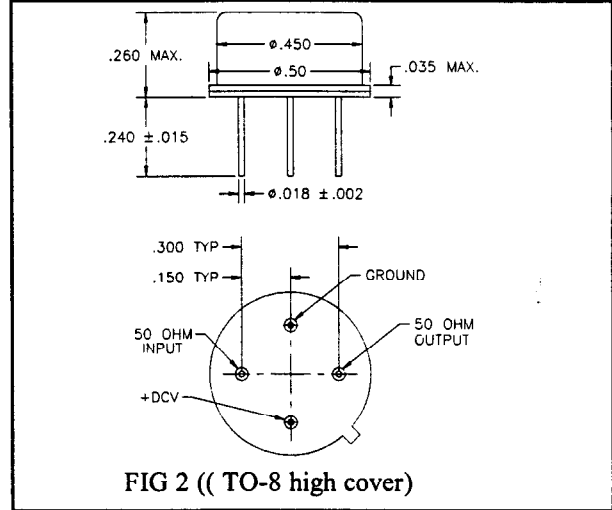
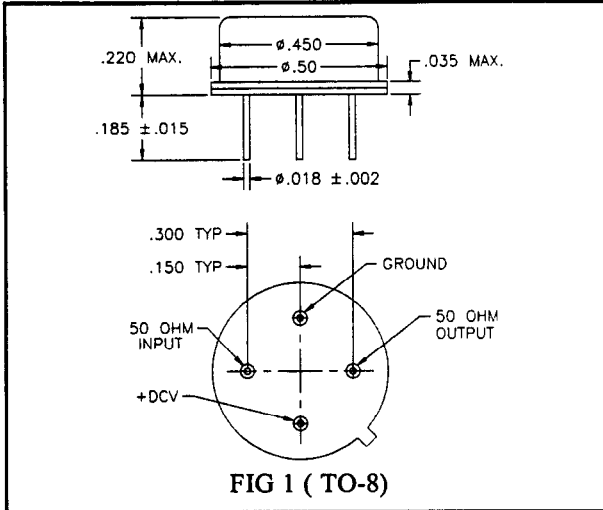
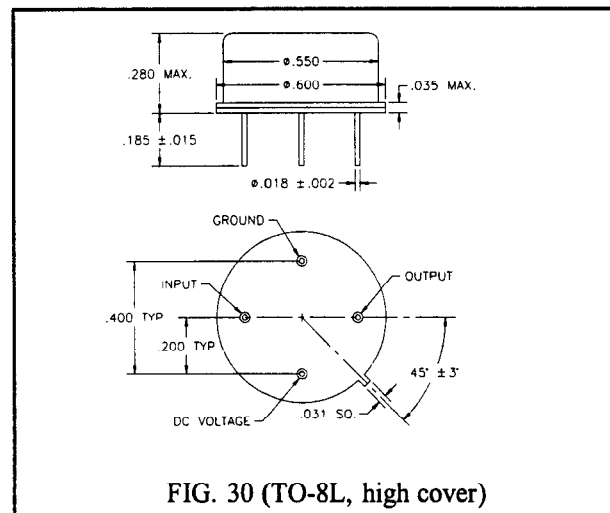
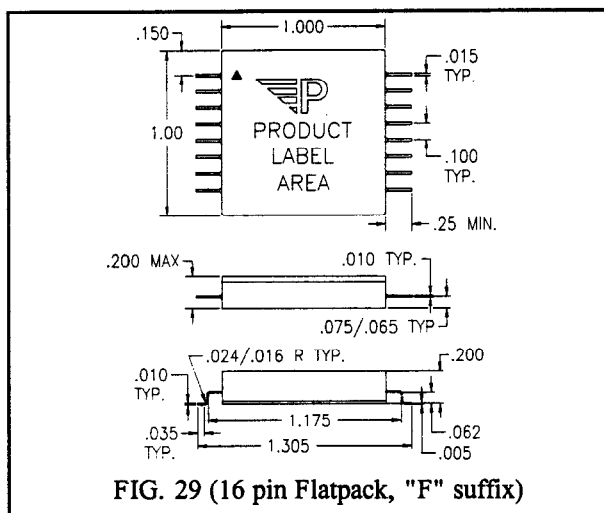
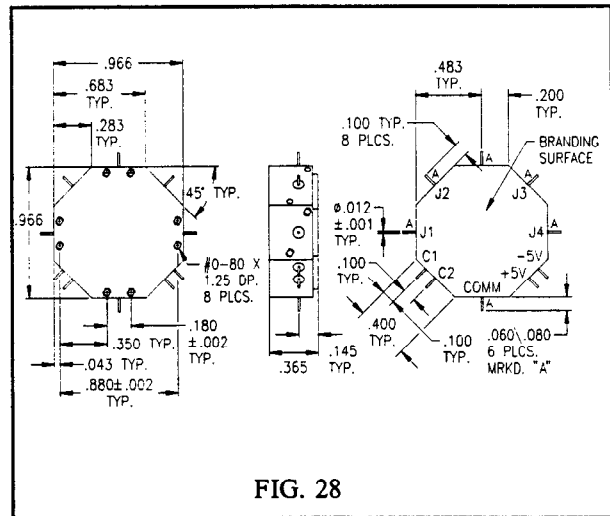
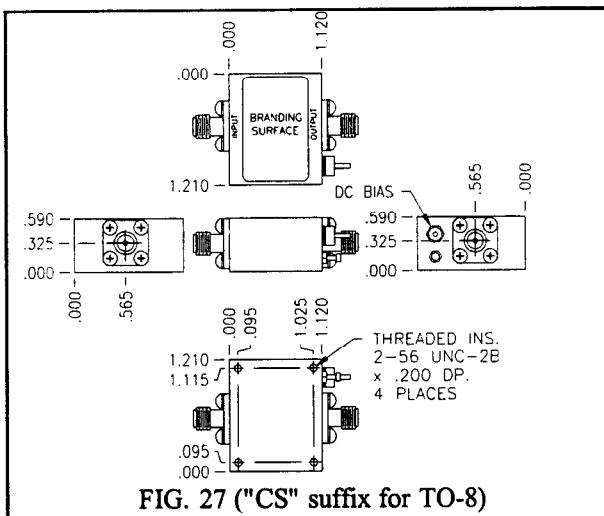
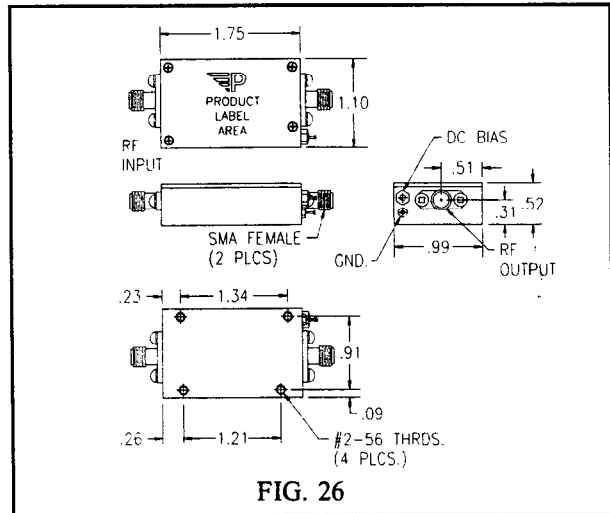
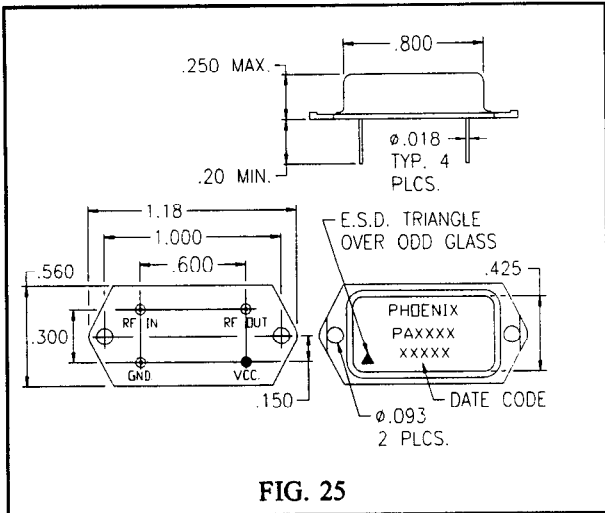


# OUTLINE DRAWINGS



All dimensions are in inches. Tolerances of .XXX are .005"  
 \* For reflow assembly, specify an FH suffix. Also available in gull wing leads which is specified by an additional "G" suffix.

# OUTLINE DRAWINGS



All dimensions are in inches. Tolerances of .XXX are .005"  
 For reflow assy., specify an FH suffix.