

MM-322-051-261-45WP
(Metal)

MN-321-051-261-45WP
(Plastic)

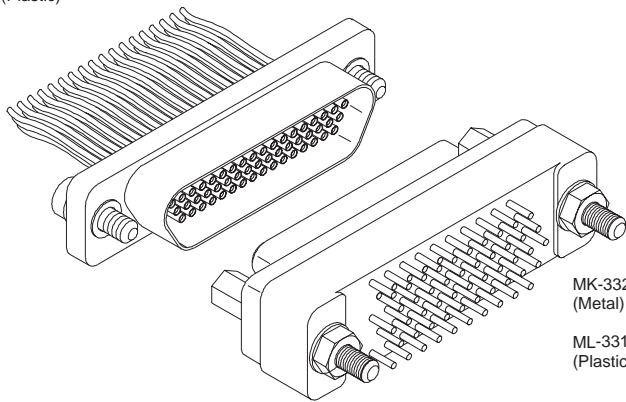
**Cable
to Board**
(Standard Footprint)

.050"
Rugged Cable

MM, MN

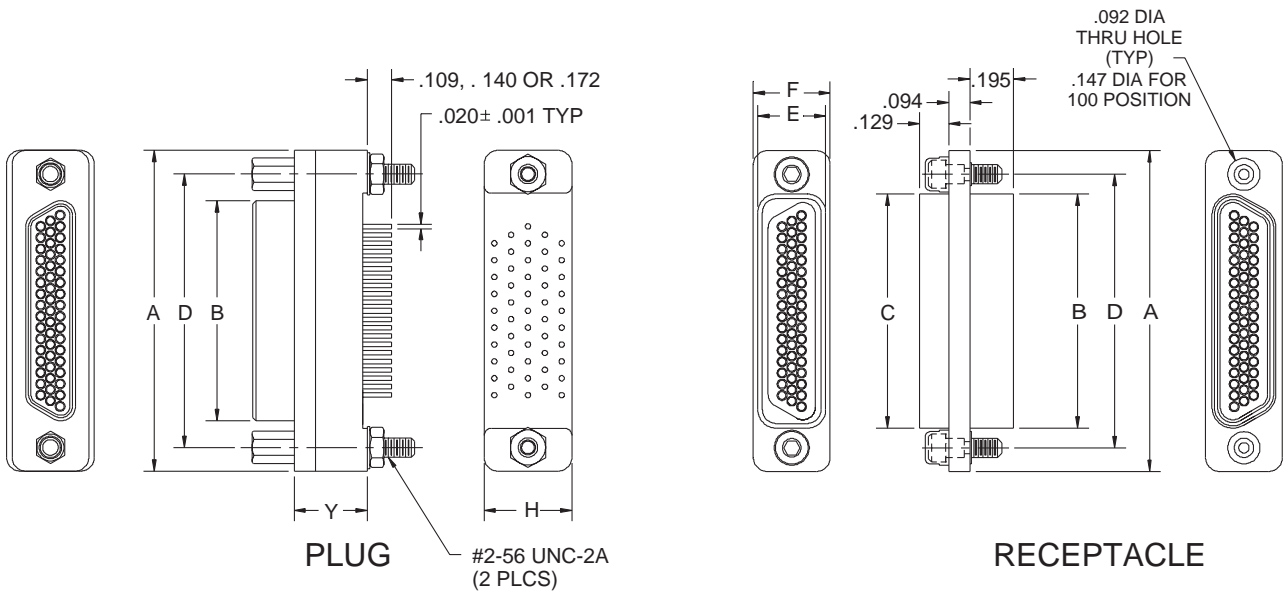
.050"
Rugged Board

MK, ML



MK-332-051-145-2200
(Metal)

ML-331-051-145-2200
(Plastic)



DIMENSIONS											
SIZE	CONTACT ROWS	A	B		C	D	E POTTING WELL MAX	F	H MAX	Y MAX	HARDWARE
			PLUG MAX	RCPT MAX							
9	2	.775	.334	.400	.390	.565	.270	.298	.298	.330	2-56 UNC THREAD
15		.925	.484	.550	.540	.715					
21		1.075	.634	.700	.690	.865					
25		1.175	.734	.800	.790	.965					
31		1.325	.884	.950	.940	1.115					
37		1.475	1.034	1.100	1.090	1.265					
51	3	1.425	.984	1.050	1.040	1.215	.310	.341	.390	.325	4-40 UNC THREAD
100	4	2.160	1.384	1.508	1.432	1.800	.360	.384	.490	.381	

PLUG: MM-312-051-161-22WP
 RECEPTACLE: MK-342-051-245-2200-900
 PLUG: MN-311-051-161-22WP
 RECEPTACLE: ML-341-051-245-2200-900

PLUG

RECEPTACLE

SERIES	
MM .050" Rugged Metal I/O Connector	MK .050" Rugged Metal PC Board Mounted Connector
MN .050" Rugged Plastic I/O Connector	ML .050" Rugged Plastic PC Board Mounted Connector
NOTE: MM and MN mates with MK, ML, MM, MN receptacles	NOTE: MK and ML mates with MK, ML, MM, MN plugs

BODY	
2 2-Row	2 2-Row
3 3-Row	3 3-Row
4 4-Row	4 4-Row
BODY STYLE: 1 Plug, straight, with ears	BODY STYLE: 4 Receptacle, straight, standard footprint, w/mtnng holes
BODY MATERIAL: 1 Polyphenylene Sulfide (MN only) 2 Polyphenylene Sulfide, with electroless nickel shell 3 Polyphenylene Sulfide, with electrodeposited cadmium shell 4 Polyphenylene Sulfide, with hard anodized, black shell NOTE: Check with factory for other materials.	BODY MATERIAL: 1 Polyphenylene Sulfide (ML only) 2 Polyphenylene Sulfide, with electroless nickel shell 3 Polyphenylene Sulfide, with electrodeposited cadmium shell 4 Polyphenylene Sulfide, with hard anodized, black shell

SIZE	
XXX No. of Contacts: 9, 15, 21, 25, 31, or 37 (2-rows)	XXX No. of Contacts: 9, 15, 21, 25,31, or 37 (2-rows)
051 51 contacts (3-rows)	051 51 contacts (3-rows)
100 100 contacts (4-rows)	100 100 contacts (4-rows)
NOTE: Other sizes available; check with factory.	

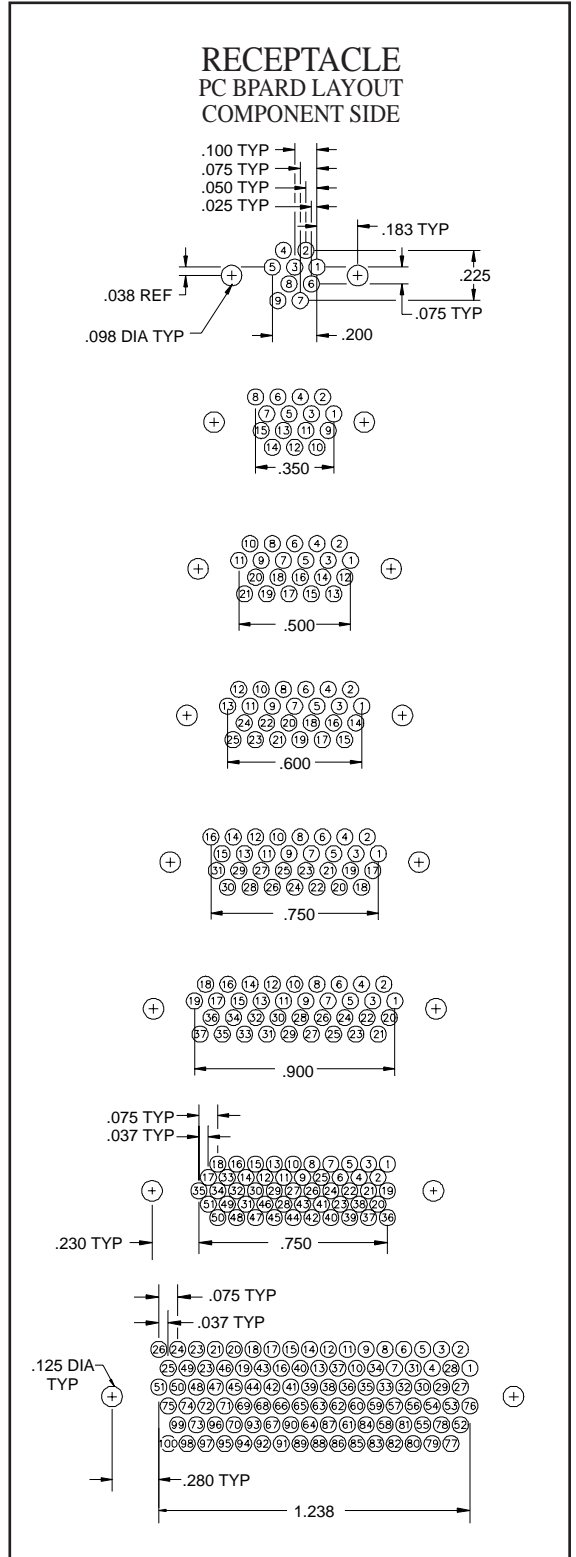
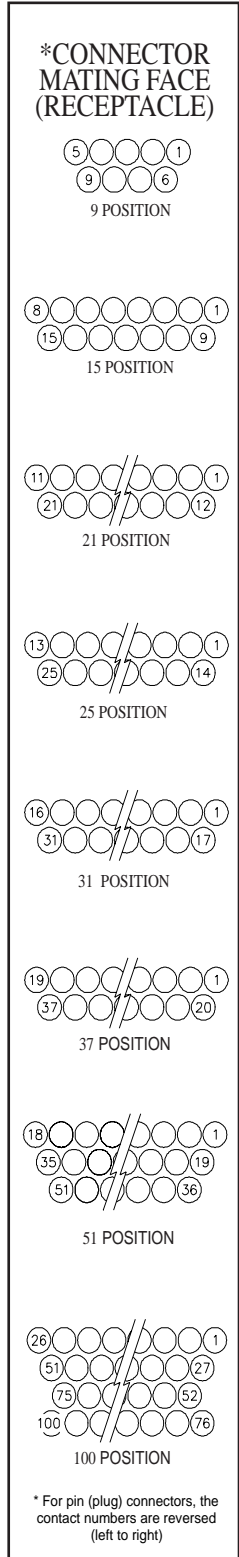
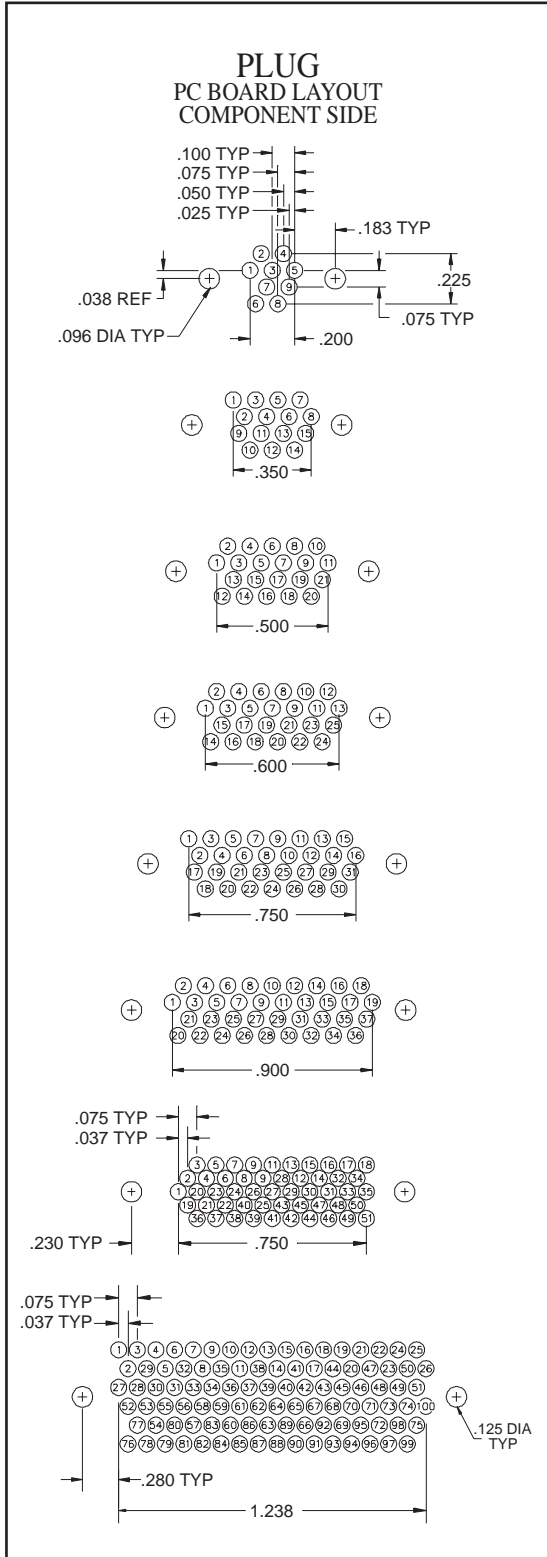
NUMBER OF CONTACTS	
TYPE CONTACTS/TERMINATIONS: 11 Pin, straight, solder cup 14 Pin, straight, .500" pigtails 15 Pin, straight, 1.000" pigtails 16 Pin, straight, crimped wire	TYPE CONTACTS/TERMINATIONS: 22 Socket, straight,dip solder, .109" 23 Socket, straight, sip solder, .140" 24 Socket, straight, dip solder, .172"
PLATING OPTIONS: 1 50 μ" Au contacts (crimp wire) 3 50 μ" Au contacts; 10 μ" Au terminations (solder cup, pigtail) 5 50 μ" Au contacts; 100 μ" Sn terminations (pigtail)	PLATING OPTIONS: 5 50 μ" Au contacts; 100 μ" Sn terminations

TYPE OF HARDWARE	
STYLE OF HARDWARE: 00 None 22 Two fixed jacknut assemblies (62)* 41 Two turning jackscrews, Allen head, retaining ring (81)* 42 Two long turning jackscrews, Allen head, retaining ring (82)* 43 Two turning jackscrews, slot heat,retaining ring (83)* 44 Two long turning jackscrews, slot head, retaining ring (84)* 45 Two turning jackscrews, Allen head,captivated** (85)*	STYLE OF HARDWARE: 00 None 22 Two fixed jacknut assemblies (62)* 41 Two turning jackscrews, Allen head, retaining ring (81)* 43 Two turning jackscrews, slot heat, retaining ring (83)* 45 Two turning jackscrews, Allen head, captivated** (85)*
POLARIZATION/WIRING: 00 NONE Wx For wiring codes, see page M-53.	POLARIZATION: 00 NONE, Straight body style only

OPTIONS	
	900 At end of part number indicates addition of interfacial sealing gasket (receptacle only).

*Use number in parentheses when ordering 100 size only.
 **Captive hardware is factory installed and non-removable.

Recommended PC Board Layout
Straight
Standard Footprint



MIL-C-83513 Wire Codes

WIRE CODE	MIL-SPEC DESCRIPTION	WIRE CODE	MIL-SPEC DESCRIPTION
V1	M22759/11-26-(), 18" long, color per MIL-C-83513	X1	M22759/11-26-9, 6" long
V2	M22759/11-26-(), 36" long, color per MIL-C-83513	X2	M22759/11-26-9, 12" long
W1	M22759/11-26-9, 18" long	X3	M22759/11-26-(), 6" long
W2	M22759/11-26-9, 36" long	X4	M22759/11-26-(), 12" long
W3	M22759/11-26-(), 18" long	Y5	M22759/11-26-9, 72" long
W4	M22759/11-26-(), 36" long	Y6	M22759/11-26-(), 72" long, color per MIL-C-83513
Y1	M22759/33-26-9, 18" long	Y7	M22759/11-26-(), 72" long, color per MIL-C-83513
Y2	M22759/33-26-9, 36" long	Y8	M22759/33-26-(), 72" long, color per MIL-C-83513
Y3	M22759/33-26-(), 18" long, color per MIL-C-83513		
Y4	M22759/33-26-(), 36" long, color per MIL-C-83513		

AirBorn Standard Wire Codes (In accordance with MIL-W-16878)

WIRE CODE	WIRE SIZE	WIRE TYPE	WIRE COLOR	WIRE LENGTH Standard: + 1.0" - 0.0"
WA	24 awg	TFE 7-strand E	Per MIL-STD-681	6"
WB	24 awg	TFE 7-strand E	Per MIL-STD-681	12"
WC	24 awg	TFE 7-strand E	Per MIL-STD-681	18"
WD	24 awg	TFE 7-strand E	Per MIL-STD-681	36"
WE	24 awg	TFE 7-strand E	White	6"
WF	24 awg	TFE 7-strand E	White	12"
WG	24 awg	TFE 7-strand E	White	18"
WH	24 awg	TFE 7-strand E	White	36"
WJ	24 awg	TFE 7-strand E	Yellow	6"
WK	24 awg	TFE 7-strand E	Yellow	12"
WJ	24 awg	TFE 7-strand E	Yellow	18"
WM	24 awg	TFE 7-strand E	Yellow	36"
WN	26 awg	TFE 7-strand E	Per MIL-STD-681	6"
WP	26 awg	TFE 7-strand E	Per MIL-STD-681	12"
WQ	26 awg	TFE 7-strand E	Per MIL-STD-681	18"
WR	26 awg	TFE 7-strand E	Per MIL-STD-681	36"
WS	26 awg	TFE 7-strand E	White	6"
WT	26 awg	TFE 7-strand E	White	12"
WU	26 awg	TFE 7-strand E	White	18"
WV	26 awg	TFE 7-strand E	White	36"
WW	26 awg	TFE 7-strand E	Yellow	6"
WX	26 awg	TFE 7-strand E	Yellow	12"
WY	26 awg	TFE 7-strand E	Yellow	18"
WZ	26 awg	TFE 7-strand E	Yellow	36"
XA	28 awg	TFE 7-strand E	Per MIL-STD-681	6"
XB	28 awg	TFE 7-strand E	Per MIL-STD-681	12"
XC	28 awg	TFE 7-strand E	Per MIL-STD-681	18"
XD	28 awg	TFE 7-strand E	Per MIL-STD-681	36"
XE	28 awg	TFE 7-strand E	White	6"
XF	28 awg	TFE 7-strand E	White	12"
XG	28 awg	TFE 7-strand E	White	18"
XH	28 awg	TFE 7-strand E	White	36"
XJ	28 awg	TFE 7-strand E	Yellow	6"
XK	28 awg	TFE 7-strand E	Yellow	12"
XL	28 awg	TFE 7-strand E	Yellow	18"
XM	28 awg	TFE 7-strand E	Yellow	36"