

Beckwith Electronics

824 Horan Drive, Fenton, Mo 63026
(636) 343-6463
 (636) 343-7026 fax

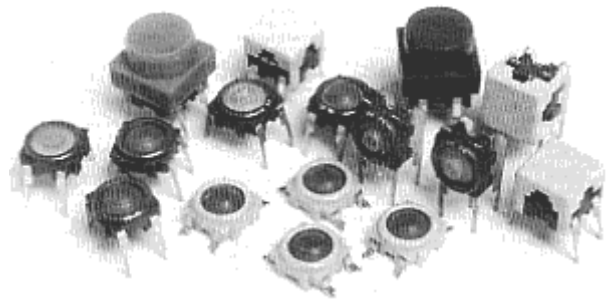
[Contact Us](#)

[Home](#)

EAO SECME Division

MICRO-COSMOS Miniature PCB-mounting tactile key switches

Subminiature MICRO-COSMOS key switches offer a variety of configurations to meet your requirements for machine control, instrument, and other equipment applications. Models are available for pick-and-place insertion machines, with easy-to-insert terminals for manual PCB assembly, in a right-angle mounting, and with a silicone rubber membrane to increase tactile action. A surface mount version is offered. Designed to last for years of operation, units can be supplied with accessory buttons for through-hole front panel mounting or assembled in membrane-type constructions with a film overlay.



- Heavy gold plated contacts for low levels
- Positive tactile feel
- Straight and right-angle terminals
- Accessory buttons for front panel mounting
- Available for machine and manual insertion
- Sealed for soldering and immersion cleaning
- 1-million operations

Specifications

Contacts:
 standard silver plated
 (2 μ) on nickel

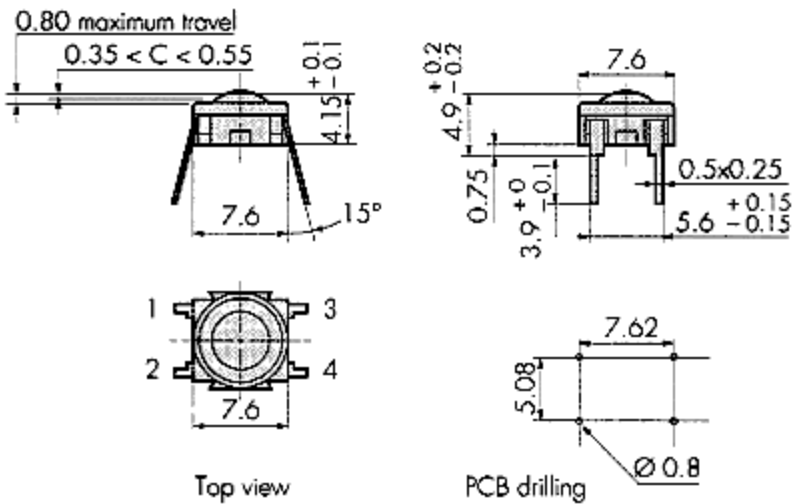
24V/20mA nominal
 50V max.
 100mV/10mA min.

	0.5W nominal power <100m Ohms contact resistance
heavy gold plated (0.5 μ) on nickel	24 V/20 mA nominal 50V max 10 mV/500 μ A min 0.5 W nominal power <20 M Ohms contact resistance
Dielectric strength	250 V RMS, 50 Hz
Insulation resistance	>1,000 M Ohms, 100 VDC
Insulation, self-extinguishing	glass-filled thermoplastic, 94V-0 (UL94)
Operating force	3 N (4.2 N: reinforced tactile feel)
Operating travel	0.45 mm mean value
Total travel	0.80 mm mean value
Maximum bounce	<5 msec
Operating life	1-million operations
Vibration resistance	10-2000 Hz, 0.75 mm, 10 g test time: 2 hrs, 30 min
Mechanical shock resistance	100 G
Terminals	4 μ SnPb on nickel
Operating temperature	-25 to +85°C
Storage temperature	-55 to +85°C
Sealing	sealed for soldering and immersion cleaning in solvents. Max. immersion time: 90 sec
Soldering time	5 sec/250°C
Packaging	50 pieces per tube

Ordering Information		
Description	Part Number	
	Standard Silver Contacts	Heavy Gold Contacts
For automatic insertion		
Action A	MC 10333 00	MC 12551 00
Action B	MC 10191 00	
Action A, reinforced tactile feel	MC 10311 00	MC 12511 00
For manual insertion		
Action A	MC 10333 11	MC 12551 11
Action C, right angle terminals	MC 10355 00	MC 12555 00

Silver contacts:
MC 10311 00

Gold contacts:
MC 12511 00

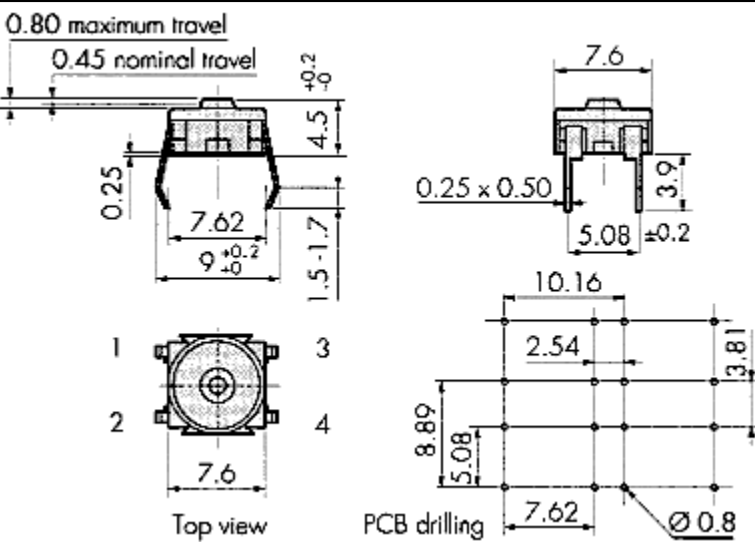


Bent terminals facilitate
manual insertion.
Operating force: 3 N.

Part Numbers:

Silver contacts:
MC 10333 11

Gold contacts:
MC 12551 11

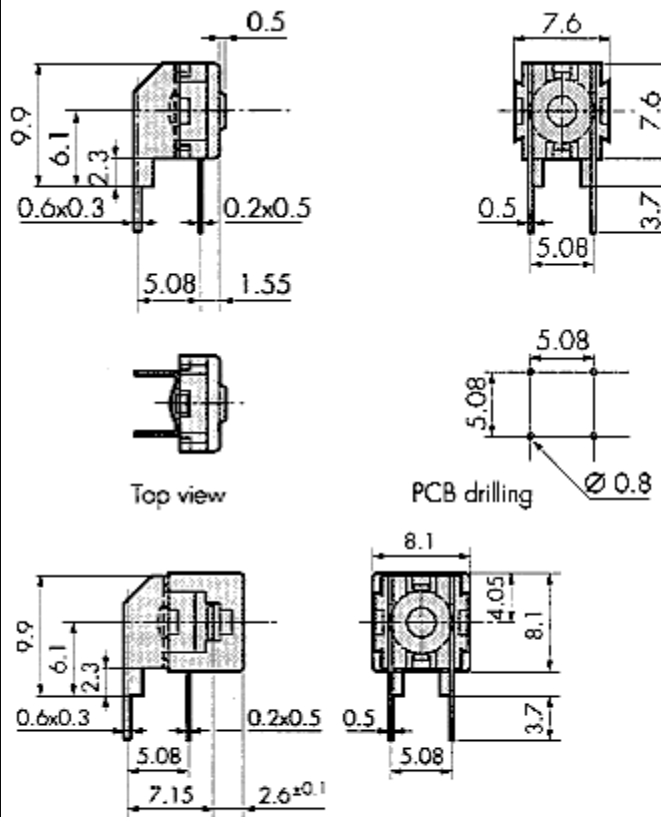


Right angle terminals, can be used as PCB edge pushbutton, etc, for manual insertion. Operating force: 3 N.

Part Numbers:

Silver contacts:
MC 10355 00

Gold contacts:
MC 12555 00



Right angle terminals with square button

PCB Mounting (Pitch in mm)

Type of Module	Between Terminals	Between Modules		
		Without button	With 8 mm button	With 10 mm button
Automatic insertion	5.08 x 7.62	7.62 x 10.16	8.89 x 10.16	10.16 x 10.16
Manual insertion	5.08 x 7.62	7.62 x 10.16	8.89 x 10.16	10.16 x 10.16
Right Angle	5.08 x 5.08	7.62	10.16	10.16

[Home](#)