

MILITARY SPECIFICATION SHEET
 CONTACTS, ELECTRICAL CONNECTOR,
 SOCKET, CRIMP REMOVABLE, (FOR
 MIL-C-28748/10 CONNECTORS)

This specification is approved for use by all Departments and Agencies of the Department of Defense.

The complete requirements for procuring the contacts described herein shall consist of this document and the latest issue of Specification MIL-C-39029.

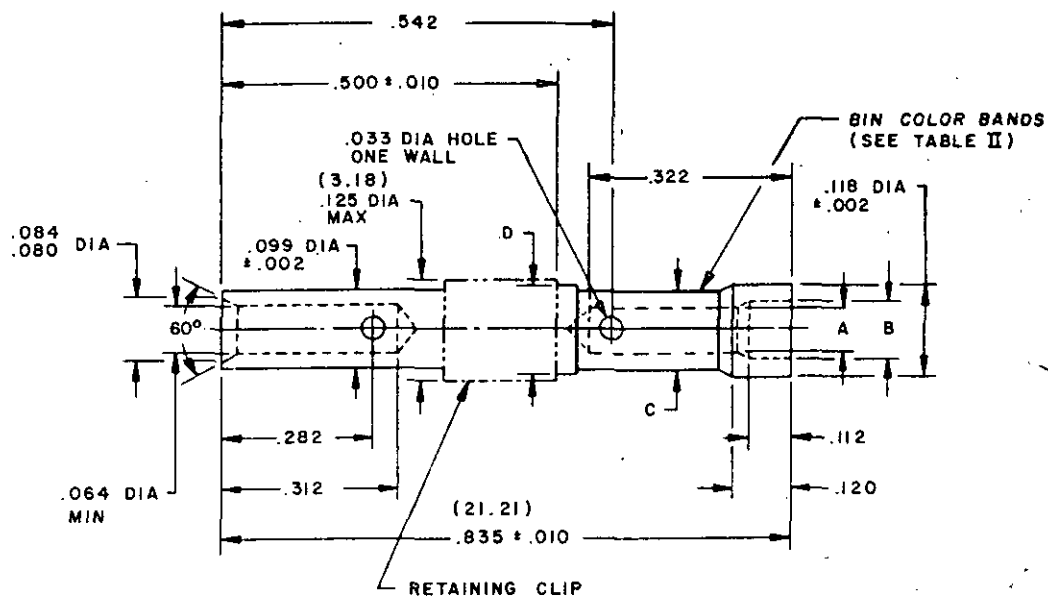


TABLE I. Dimensions.

BIN code	A DIA	B DIA	C DIA	D DIA
279	.048	.070	.079	.119
	.045	.068	.076	.116
280	.070	.090	.112	.119
	.067	.088	.109	.116

NOTES:

1. Dimensions are in inches.
2. Metric equivalents are given for general information only and are based upon 1.00 inch = 25.4 mm.
3. Metric equivalents are in parentheses for overall length and diameter only.
4. Dimensions shown apply after plating.

FIGURE 1. Dimensions and configuration.

(A) denotes changes
 Page 1 of 2

FSC 5935

TABLE II. Design characteristics.

BIN code	Color bands			Mating end size	Wire barrel size	Type	Class
	1st	2nd	3rd				
279	Red	Violet	White	16	20	} A	} A
280	Red	Gray	Black	16	16		

TABLE III. Tools.

BIN code	Basic crimping tool	Positioner	Installing tool	Removal tool
279	M22520/1-01	M22520/1-03 Blue/Red	M81969/18-01	M81969/20-01
280	M22520/1-01	M22520/1-03 Blue/Red	M81969/18-01	M81969/20-01

REQUIREMENTS:

Dimensions, design characteristics, and configuration: See FIGURE 1 & TABLES I and II.

Tools: See TABLE III.

Vibration: Method 2005 of MIL-STD 1344, test condition II.

Shock (specified pulse): Method 2004 of MIL-STD 1344, test condition I.

Mating contact: MIL-C-39029/36.

QPL evaluating activity: Naval Avionics Center, Indianapolis, Indiana 46218

Military part number: See TABLE IV.

TABLE IV. Military part number.

BIN code	Military part number	Supersedes
279	M39029/37-279	MS17808-16-20
280	M39029/37-280	MS17808-16-16

Custodians:

Army - CR
Navy - EC
Air Force - 85

Review activities:

Army - AR, MI, AT
Navy - AS, SH,
Air Force - 11, 17, 99
DLA - ES

User activities:

Army - ME, AV
Navy - MC, OS
Air Force -

Preparing activity:

Navy - EC

Agent:

DLA - ES

(Project 5935-3097-9)