

KLDHCX Series

High Current PCB Mount DC Locking Type Power Jack

Features

- 2.0mm and 2.5mm
- Built in DC On/Off Switch
- To Be Used with Locking/Non-locking Tuning Fork Style Plug
- Laptop and Palm Computers, Portable Modems, Radar Detectors, and Other Portable Device Applications



Performance Specifications

Materials and Finish

Plastic Housing: PBT Thermoplastic, UL 94V-0 Rated, Color Black

Center Pin: Brass, Nickel Plated

Contact #1: Brass, Tin Plated

Contact #2: Phosphor Bronze, Tin Plated

Contact #3: Brass, Tin Plated

Electrical Characteristics

Rated Current: 5A

Rated Voltage: 24V RMS

Insulation Resistance: 50 Megohms Min. at 100 or 200V DC for 1 Minute

Contact Resistance: 30 milliohms Max.

Dielectric Withstanding Voltage: 250V AC Min. for 1 Minute

Mechanical Characteristics

Durability Test: 5000 Cycles

Insertion Force: 3.0kg Max.

Extraction Force: 0.3kg Min.

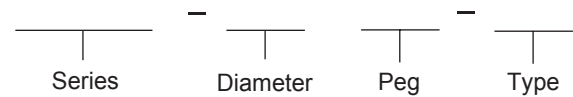
DC POWER CONNECTORS

KLDHCX Series

Documentation & Ordering Information

Kycon Part

Part Number Builder



Series

KLDHCX-0202 - High Current PCB Mount DC Power Jack

Diameter

A - 2.0mm Center Pin Diameter

B - 2.5mm Center Pin Diameter

Peg

Blank - without Peg

P - with Peg

Recommended to be used with Kycon locking plug (tuning fork design):

KLDX-PA-0202-A-LT, KLDX-PA-0202-B-LT

If used with non-locking plug, tuning fork design is required. See picture.

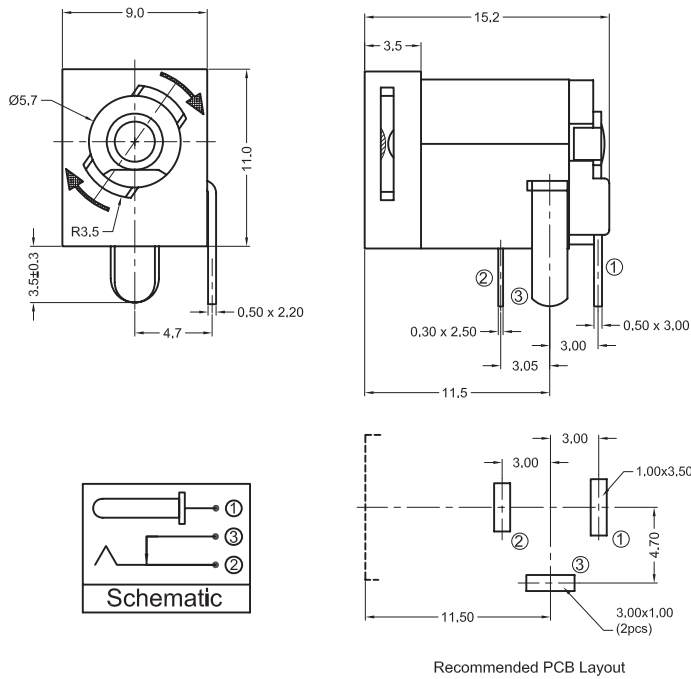
Tuning fork contact



***See next page for dimensions**

KLDHCX Series Dimensions

KLDHCX-0202-x-LT



KLDHCX-0202-xP-LT

