

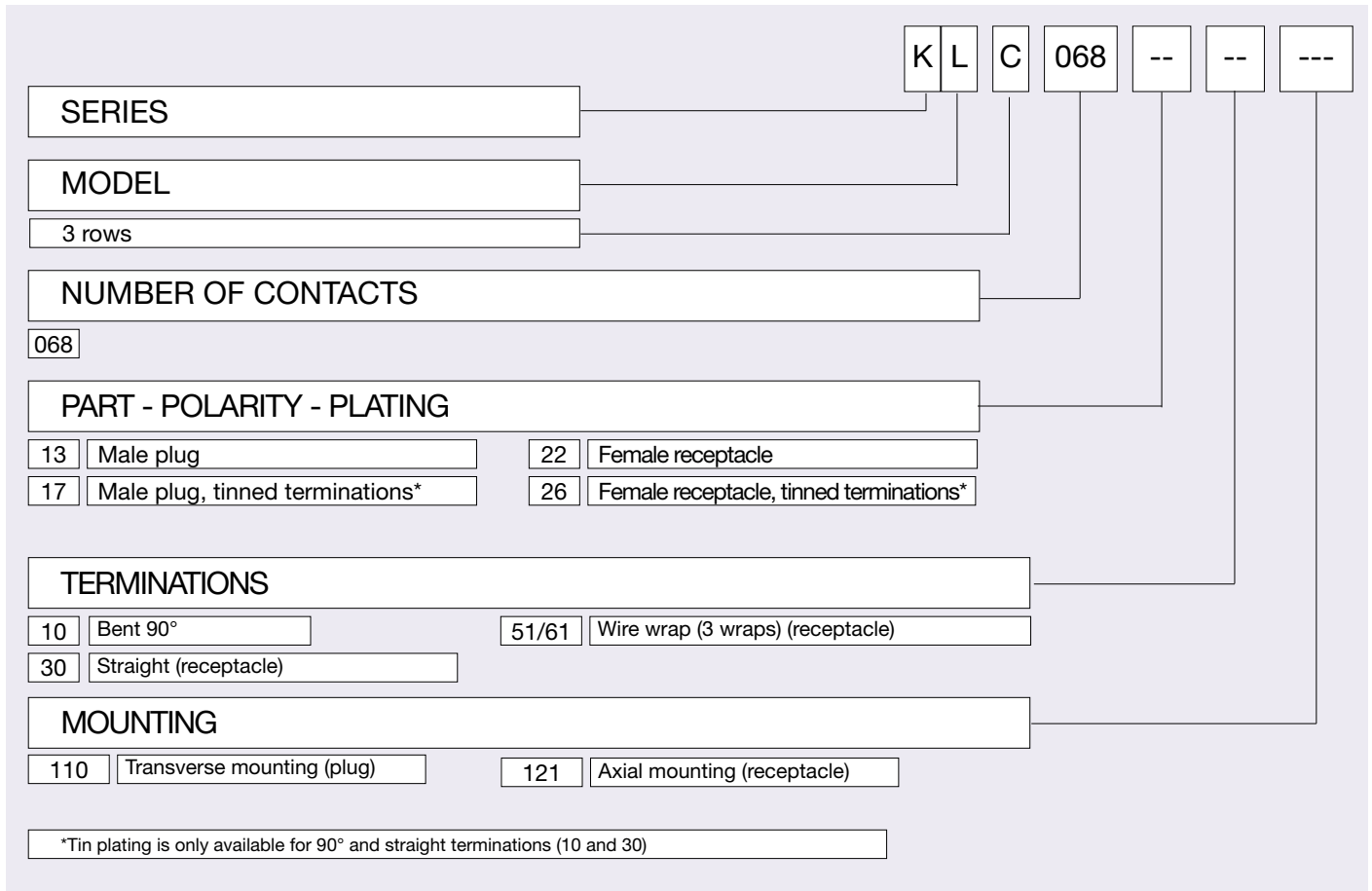
Connectors for Daughter/Mother Board Mounting, pitch 1.98

- 68 HC contacts, Ø 1 mm
- 3 row PCB connector
- 1.98 mm pitch
- Connectors for daughter/mother board mounting
- 5000 mating-unmating cycles

Technical Characteristics

MATERIAL		MOUNTING By screw on plug and axial on receptacle thanks to non-removable guides	
Insulator	Thermoset	GUIDING PINS	2 male guides fixed on the plug
Pin & socket body	Brass	DIELECTRIC WITHSTANDING VOLTAGE	1500 VRMS
Socket wires	Copper alloy	CURRENT RATING	7 A Max (25 °C)
Guides	Brass	INSULATION RESISTANCE	> 10 ⁶ MΩ (500 Vcc)
PLATING		CONTACT RESISTANCE	< 5 mΩ
Pin and socket wires	Au/Ni	TEMPERATURE RANGE	-55 °C, +125 °C
Guides	Ni		
PITCH	1.98 mm		
PIN	Ø 1 mm, non-removable		

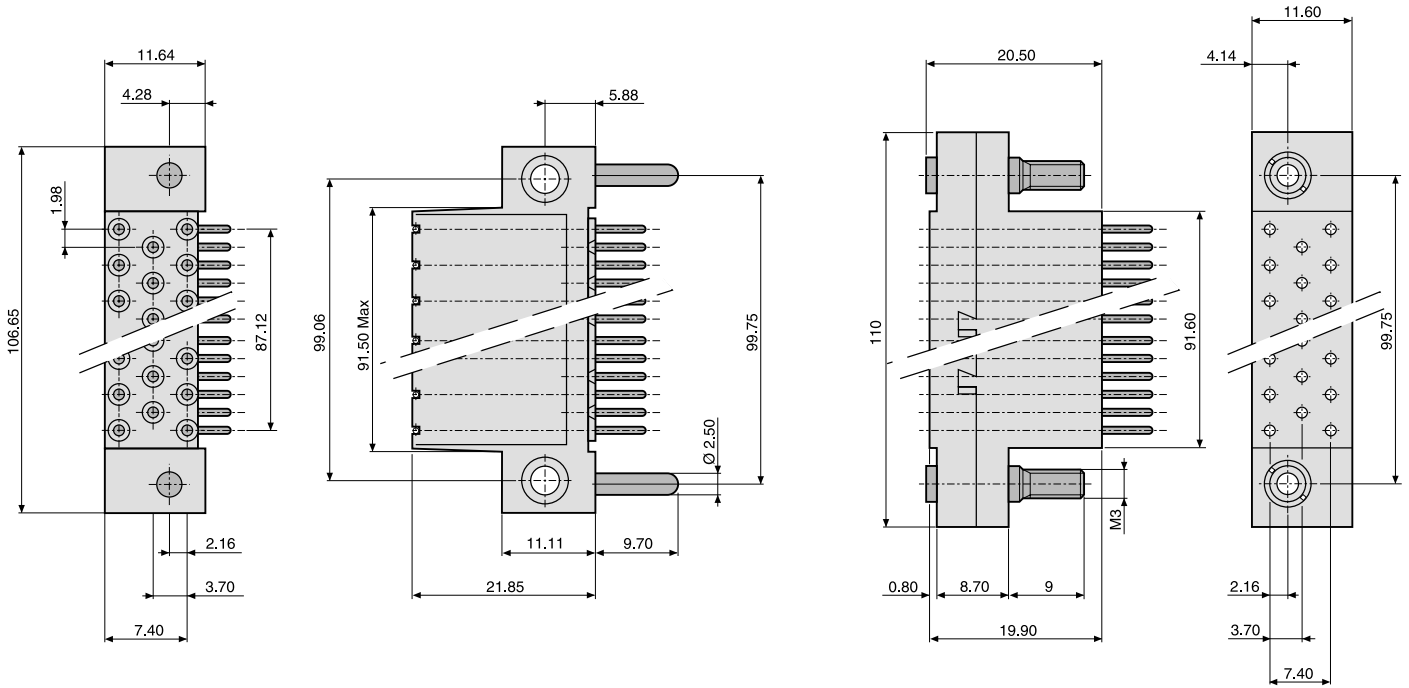
Ordering information



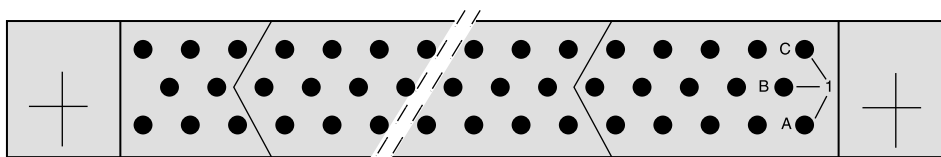
Plug and receptacle dimensions

Plug

Receptacle



Contact layout



Wiring side view

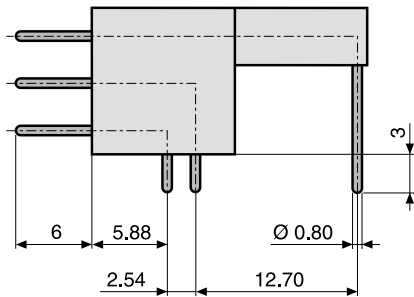
Terminations

Plug

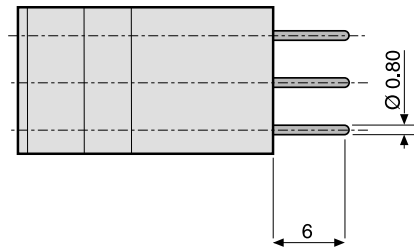
Receptacle

90° termination

Straight



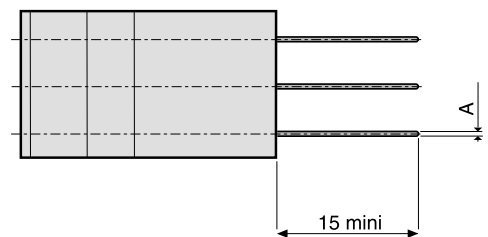
Ref: 10



Ref: 30

Wire wrap (3 wraps)

Terminations	Contact P/N
30	0100442-30-G1
51	0100482-51-G1
61	0100452-61-G1



Ref: 51 A = 0.60 x 0.60

Ref: 61 A = 0.56 x 0.91

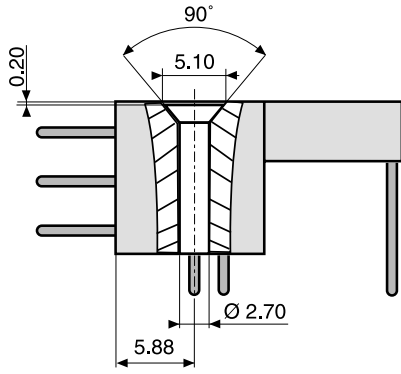
Mounting

Plug

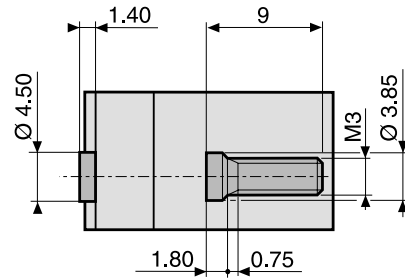
Receptacle

Transverse

Axial



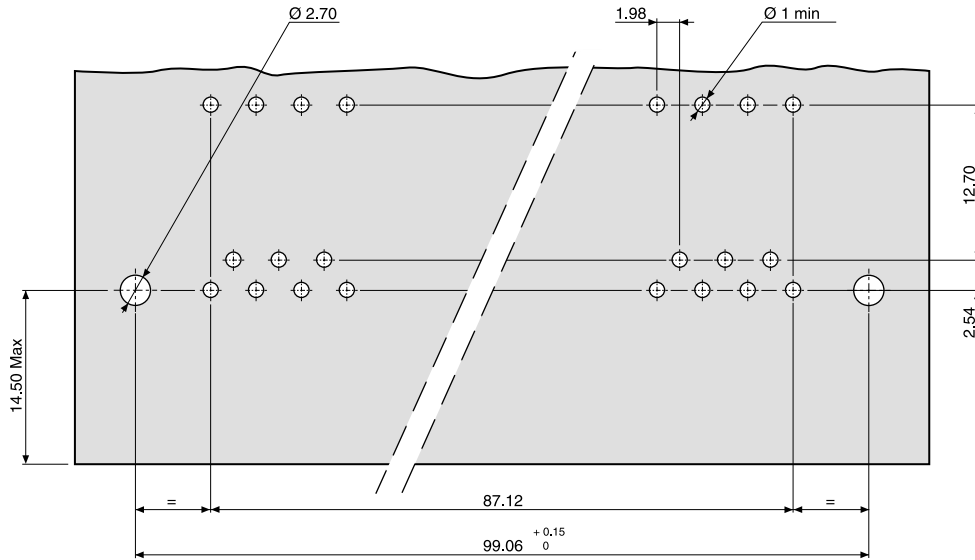
Ref: 110



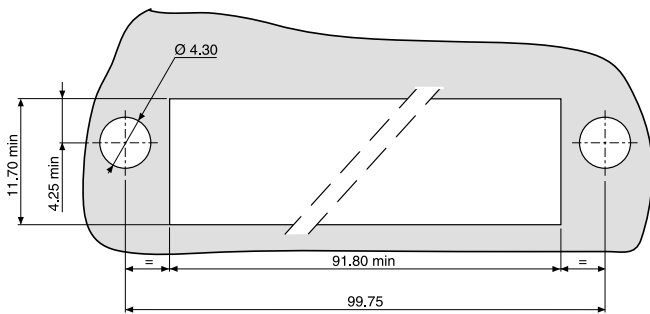
Ref: 121

Board and panel preparation details

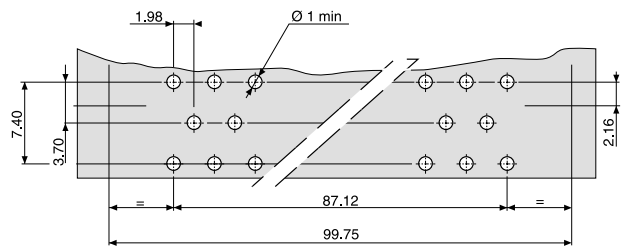
Daughter board



Panel cut out



Mother board



Notes

PCB and panel connector wiring side view

Dimensions are in mm