

# Rack & Panel

Rectangular ▪ Miniature ▪ Subminiature ▪ Environmental ▪ Removable Contacts

## Table Of Contents

Series	Description	Page
<b>MRAC</b>	Miniature Rectangular Connectors With Removable Contacts	<b>2 - 10</b>
<b>XAC</b>	External Miniature Rectangular Connectors With Removable Contacts	<b>11 - 20</b>
<b>TMRAC</b>	Heavy Duty, Industrial and Commercial, Miniature Rectangular Rack and Panel Connectors With Removable Contacts	<b>21 - 22</b>
<b>TXAC</b>	Heavy Duty, Industrial and Commercial, External Miniature Rectangular Rack and Panel Connector With Removable Contacts	<b>23 - 24</b>
<b>MRA</b>	Miniature Rectangular / #16 Contacts / .062" Dia. / 13 Amps	<b>25 - 33</b>
<b>MRE</b>	Miniature Rectangular / #20 Contacts / .040" Dia. / 7.5 Amps	<b>34 - 43</b>
<b>XMRA and XMRE</b>	External Miniature Rectangular / #16 Contacts / .062" Dia. / 13 Amps #20 Contacts / .040" Dia. / 7.5 Amps	<b>44 - 53</b>
<b>SLE, SME and SRE</b>	Sub Miniature / High Density Rectangular / .025" Dia. / 3 Amps .030" Dia. / 5 Amps ▪ .040" Dia. / 7.5 Amps	<b>54 - 57</b>
<b>SREC</b>	Sub Miniature Rectangular Connector With Removable Contacts	<b>58 - 60</b>
<b>42</b>	Panel Mount Miniature / 22 AWG / .030" Dia. / 5 Amps	<b>61 - 64</b>
<b>SRM</b>	Sub Miniature Rectangular / #20 Contacts / .040" Dia. / 7.5 Amps	<b>65 - 70</b>
<b>PM1</b>	High Voltage, Single Contact / #20 Contacts / .040" Dia. / 7.5 Amps	<b>71</b>
<b>PM6</b>	High Voltage Miniature / #20 Contacts / .040" Dia. / 7.5 Amps	<b>72</b>
<b>SM</b>	Sub Miniature / #20 Contacts / 3 and 7.5 Amps	<b>73 - 74</b>
<b>M</b>	High Voltage Miniature / #20 Contacts / .040" Dia. / 7.5 Amps	<b>75 - 78</b>
<b>JF</b>	Miniature Side Mount / #20 Contacts / .040" Dia. / 7.5 Amps	<b>79 - 81</b>
<b>JFA</b>	Miniature Side Mount / #16 Contacts / .062" Dia. / 13 Amps	<b>82</b>
<b>100</b>	Removable Contacts	<b>83 - 91</b>
<b>107</b>	Tools and Accessories	<b>92 - 93</b>
<b>Locations</b>	Global Sales Support	<b>94</b>

**Contact a Winchester Electronics sales representative for your V.35 Rack & Panel Data Communications Connectors**

While the information in this publication is believed to be accurate and reliable, all data presented is subject to change without notice. Winchester Electronics disclaims responsibility for any damages resulting from application or any incompleteness or inaccuracies in the information presented. Consult factory for specific information on the latest design specifications.

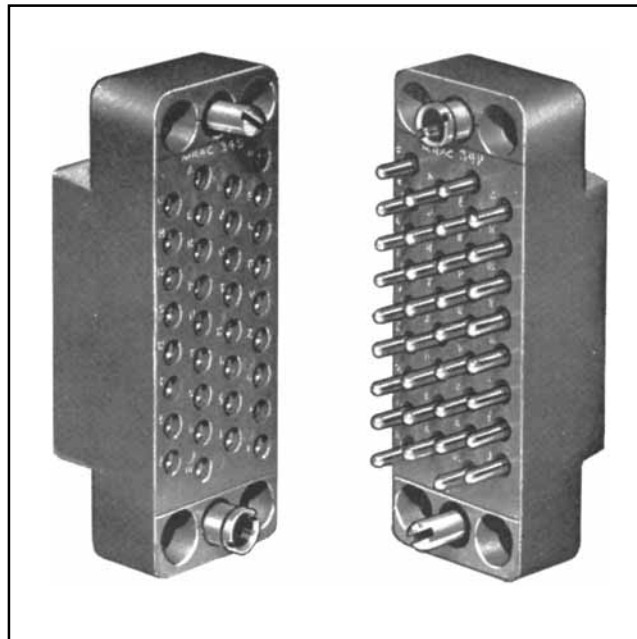
# Rack & Panel

## MRAC Series

## Miniature Rectangular, Removable Contacts

### FEATURES

- Closed Entry Removable Socket and Pin Contacts.
- Connector Inserts with 9 to 104 Contacts.
- Quick Crimp ... Snap in Place!
- To remove ... insert removal tool — “Push Out” Contact!



Removable contacts offer a substantial savings of time, labor and a great flexibility in the choice of circuitry. The contact is easily removed with the hand tool depicted and then placed by hand or with a simple insertion tool.

The MRAC Series is an important extension of the MRA line featuring a variety of crimp and solder removable contact styles. Except for body thickness, they are similar and interchangeable with the MRA Series.

### SPECIFICATIONS

**Current Rating:** Up to 13 amps

**No. of Contacts:** 9, 14, 18, 20, 26, 34, 41, 42, 50, 66, 75, 104

**Contacts:** Must be ordered separately. Select from crimp, solder, dip solder, shielded or Wire-Wrap termination contacts. See 100 Series contact section.

**Contact Identification:** Standard contact identification is alphabetical except for MRAC66 and 75 which have numerical identification. To order numerical identification on MRAC 34, 50 or 104, specify MNAC\*\*P or S.

**Electrical Data:** Meets high potential performance of MIL-C-28748. The dielectric withstanding voltage is one minute electrification at 2000 VAC (sea level).

**Dielectric:** MRAC Series: Standard glass filled diallyl phthalate, per MIL-M-14, SDG-F, color gray.

**Qualification:** Military Versions are QPL'd to M28748/3 and M28748/4.

**Polarization:** Gold plated guides provide positive polarization. Polarized nickel-plated brass and/or passivated stainless steel with anodized aluminum knobs available.

**Hoods:** Anodized aluminum. May be applied to either plug or receptacle. Both top and side opening hoods available.

### MILITARY CROSS REFERENCE

CATALOG NO.		CATALOG NO.	
MRAC 9P	MS 14007-1	MRAC 42P	MS 18180-1
MRAC 9S	MS 14006-1	MRAC 42S	MS 18181-1
MRAC 14P	MS 18174-1	MRAC 50P	MS 18182-1
MRAC 14S	MS 18175-1	MRAC 50S	MS 18183-1
MRAC 20P	MS 18176-1	MRAC 66P	MS 18184-1
MRAC 20S	MS 18177-1	MRAC 66S	MS 18185-1
MRAC 26P	MS 14008-1	MRAC 75P	MS 18187-1
MRAC 26S	MS 14005-1	MRAC 75S	MS 18188-1
MRAC MS34P	MS 18178-1	MRAC 104P	MS 18189-1
MRAC MS34S	MS 18179-1	MRAC 104S	MS 18190-1

Winchester

62 Barnes Industrial Road North, Wallingford, Connecticut 06492 Phone:(203)741-5400 Fax:(203)741-5500 www.winchesterelectronics.com

# Rack & Panel

## MRAC Series

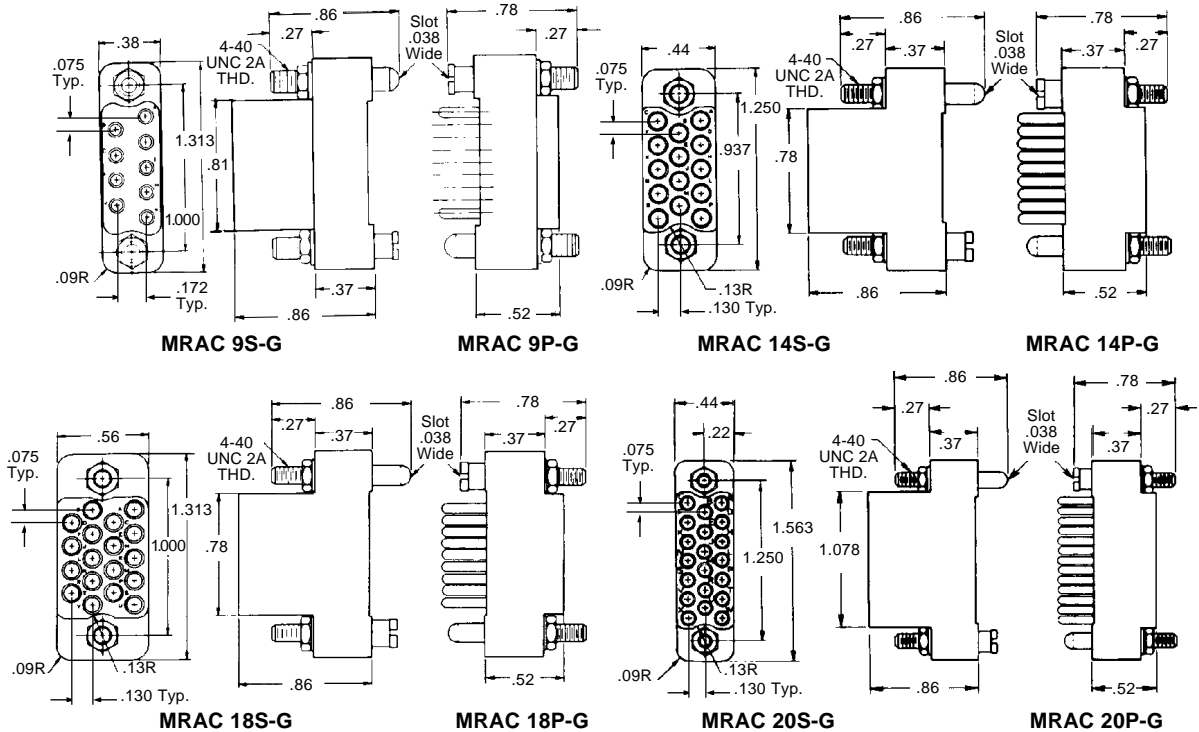
## Miniature Rectangular, Removable Contacts

### OUTLINE

Dimensions are for reference only and are subject to change. Outline drawings on request.

Drawings and corresponding part numbers show G type guide sockets. It is recommended that guides be used wherever

possible for positive polarization and for protection of contacts except for the MRAC 104 where the jackscrew locking device is recommended.







### PHYSICAL DATA

Plug Code No.	Receptacle Code No.	No. of Contacts	Wt. in Ozs.		Plug Code No.	Receptacle Code No.	No. of Contacts	Wt. in Ozs.	
			Plug	Rec.				Plug	Rec.
MRAC9P	MRAC9S	9	.15	.17	MRAC41	MRAC41S	41	.5	.7
MRAC14P	MRAC14S	14	.17	.2	MRAC42P	MRAC42S	42	.5	.7
MRAC18P	MRAC18S	18	.17	.2	MRAC50P	MRAC50S	50	.6	.85
MRAC20P	MRAC20S	20	.17	.25	MRAC66P	MRAC66S	66	.7	1.05
MRAC26P	MRAC26S	26	.42	.67	MRAC75P	MRAC75S	75	.9	1.3
MRAC34P	MRAC34S	34	.42	.67	MRAC104P	MRAC104S	104	1.2	1.78

### GUIDE SOCKETS

**How To Order:** To obtain "K" or "N" guides in place of the standard "G" type, substitute the desired socket style code letter ("K" or "N") for "G" in both the Plug and Receptacle Code Numbers.

Guide Socket Code Letter	Actual Size Photo	
G*	 For General Use Phosphor Bronze	 Standard Guide Pin mates with all types Brass
K	 For High Electrical Conductivity Beryllium Copper	
N*	 For Extra Mechanical Strength Brass	

Winchester

\* For passivated stainless steel add SS suffix

62 Barnes Industrial Road North, Wallingford, Connecticut 06492 Phone:(203)741-5400 Fax:(203)741-5500 www.winchesterelectronics.com

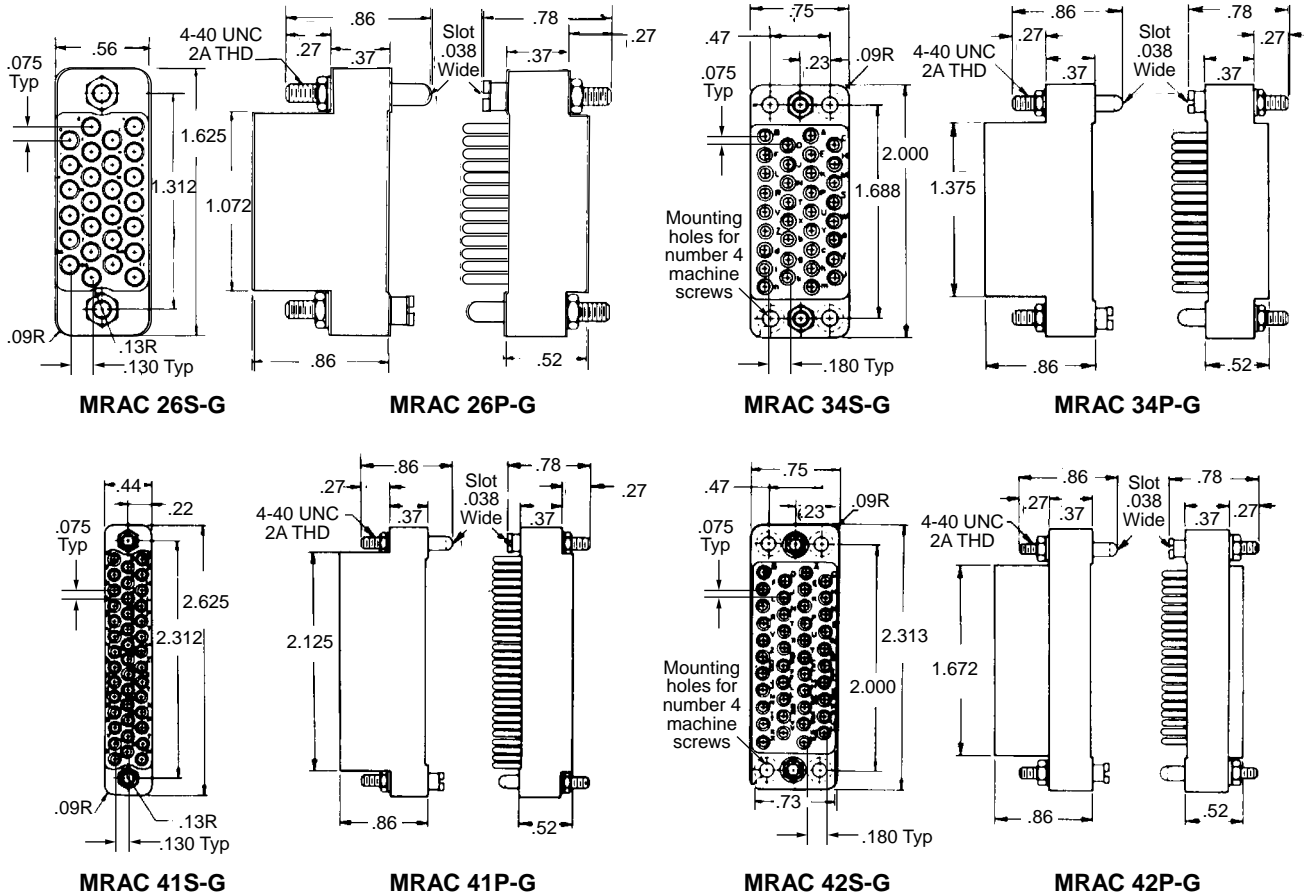
# Rack & Panel

## MRAC Series

## Miniature Rectangular, Removable Contacts

### OUTLINE

Dimensions are for reference only and are subject to change. Outline drawings on request.



Drawings and corresponding part numbers show G type guide sockets except for the MRAC104P and S which show JT hardware.

*Mounting Note:* Connectors MRAC 26, MRAC 20 and smaller, use guides for mounting in a hood or on a panel. Connectors MRAC 34, MRAC 42, MRAC 50, MRAC 66, and MRAC 75 use four #4 machine screws, in addition to guides, for mounting in a hood or on a panel. Guides are not recommended for use with MRAC 104. MRAC 104 uses four #6 machine screws for mounting.

\*For numerical contact identification instead of alphabetical, order MNAC.....P or S available in sizes 34, 50 and 104. Example MNAC 34P. MRAC 66 and 75 have numerical contact identification as standard.

Winchester.

62 Barnes Industrial Road North, Wallingford, Connecticut 06492 Phone:(203)741-5400 Fax:(203)741-5500 www.winchesterelectronics.com

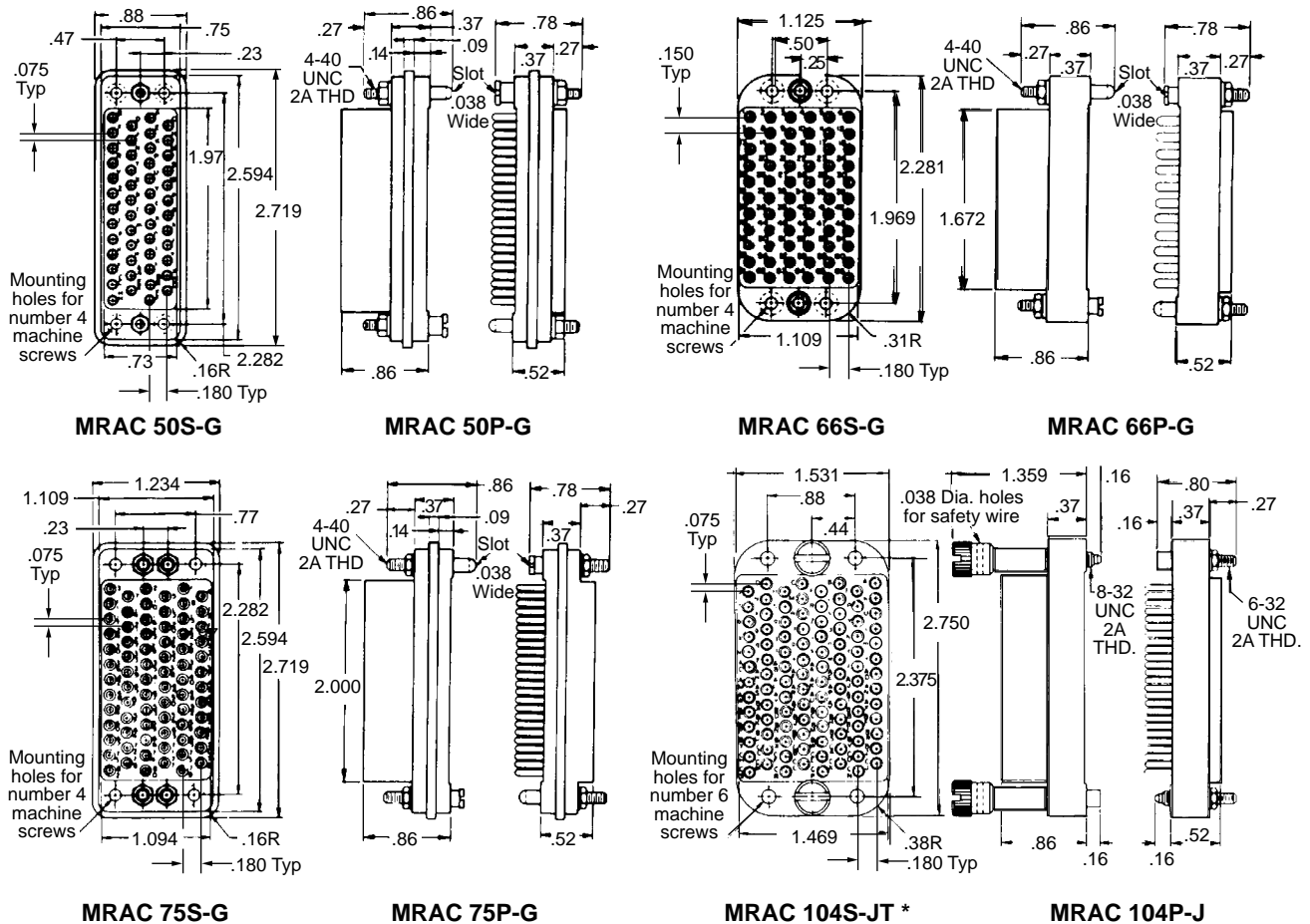
# Rack & Panel

## MRAC Series

## Miniature Rectangular, Removable Contacts

### OUTLINE

Dimensions are for reference only and are subject to change. Outline drawings on request.



Drawings and corresponding part numbers show G type guide sockets except for the MRAC104P and S which show JT hardware.

*Mounting Note:* Connectors MRAC 26, MRAC 20 and smaller, use guides for mounting in a hood or on a panel. Connectors MRAC 34, MRAC 42, MRAC 50, MRAC 66, and MRAC 75 use four #4 machine screws, in addition to guides, for mounting in a hood or on a panel. Guides are not recommended for use with MRAC 104. MRAC 104 uses four #6 machine screws for mounting.

\*For numerical contact identification instead of alphabetical, order MNAC.....P or S available in sizes 34, 50 and 104. Example MNAC 34P. MRAC 66 and 75 have numerical contact identification as standard.

# Rack & Panel

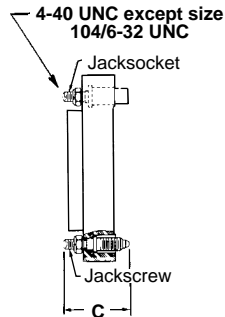
## MRAC Series

## Miniature Rectangular, Removable Contacts

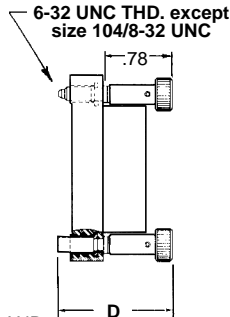
### JACKSCREWS & JACKSOCKETS

#### OUTLINE

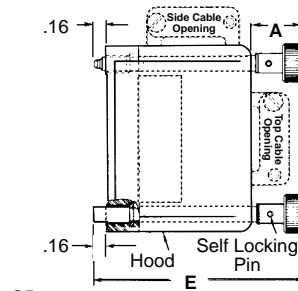
Dimensions are for reference only and are subject to change. Outline drawings on request.



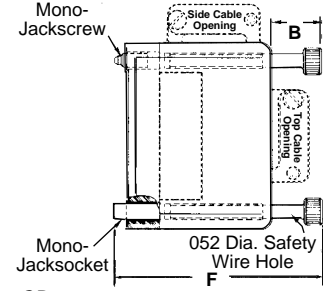
Connector with fixed Jackscrews  
Code designation: J



AND  
Mating connector half with turnable Jackscrews-with-Knobs.  
Code designation: JT



OR  
Mating connector half with Hood and turnable Long Jackscrews-with-Knobs. Code designation: JTC H, JTC H1



OR  
Mating connector half with Hood and turnable Monojacks.  
Code designation: JTDH, JTDH1

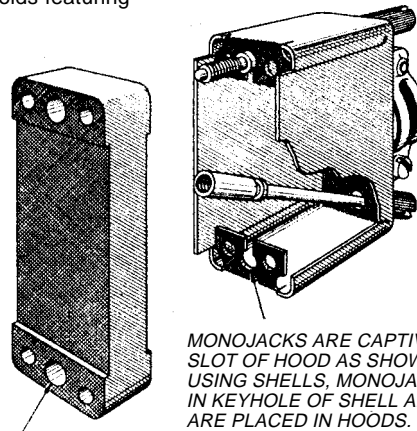
#### DIMENSIONS

Connector Size	Dimension A					Dimension B					C	D	Dimension E					Dimension F			
	H	H1	H8	H9	H13	H	H1	H8	H9	H			H1	H8	H9	H13	H	H1	H8	H9	
MRAC 9	—	.59	—	—	.59	—	—	—	—	.80	1.31	—	2.41	—	—	2.41	—	—	—	—	
MRAC 14	—	.59	—	—	.59	—	—	—	—	.80	1.31	—	2.41	—	—	2.41	—	—	—	—	
MRAC 18	—	.59	—	—	.59	—	—	—	—	.80	1.31	—	2.41	—	—	2.41	—	—	—	—	
MRAC 20	—	.59	—	—	.59	—	—	—	—	.80	1.31	—	2.41	—	—	2.41	—	—	—	—	
MRAC 26	.80	.59	.59	.59	—	—	—	—	—	.80	1.31	2.61	2.41	2.41	2.41	—	—	—	—	—	
MRAC 34	.63	.63	.63	.63	—	.63	.63	.63	.63	.80	1.31	2.41	2.41	2.41	—	—	—	2.41	2.41	2.41	
MRAC 41	.63	.63	—	—	—	—	—	—	—	.80	1.31	2.41	2.41	—	—	—	—	—	—	—	
MRAC 42	.58	.58	.58	.58	—	.58	.58	.58	.58	.80	1.31	2.41	2.41	2.41	—	—	2.41	2.41	2.41	2.41	
MRAC 50	.58	.58	.58	.58	—	.58	.58	.58	.58	.80	1.31	2.41	2.41	2.41	—	—	2.41	2.41	2.41	2.41	
MRAC 66	.69	—	—	.69	—	.5	—	—	.5	.80	1.31	2.41	—	—	2.41	—	2.41	—	—	2.41	
MRAC 75	.56	.56	.56	.56	—	.56	.56	.56	.56	.80	1.31	2.41	2.41	2.41	—	—	2.41	2.41	2.41	2.41	
MRAC 104	.5	—	—	.67	—	.5	—	—	.5	.80	1.52	3.42	—	—	3.42	—	3.25	—	—	3.25	

#### New Monojacks Assemble and Disassemble With Remarkable Ease and Speed

To free the connector from the hood, simply remove four screws. Monojacks may be used on miniature rectangular connectors with from 34 to 104 contacts and with molds featuring

guide hole and two mounting holes on both ends. Molds have 2 center thru holes and 4 mounting holes.



MONOJACKS ARE CAPTIVATED IN KEYHOLE SLOT OF HOOD AS SHOWN ABOVE. WHEN USING SHELLS, MONOJACKS ARE CAPTIVATED IN KEYHOLE OF SHELL AND CLEARANCE HOLES ARE PLACED IN HOODS.

MOLDINGS HAVE STRAIGHT THRU HOLES

Winchester

62 Barnes Industrial Road North, Wallingford, Connecticut 06492 Phone:(203)741-5400 Fax:(203)741-5500 www.winchesterelectronics.com

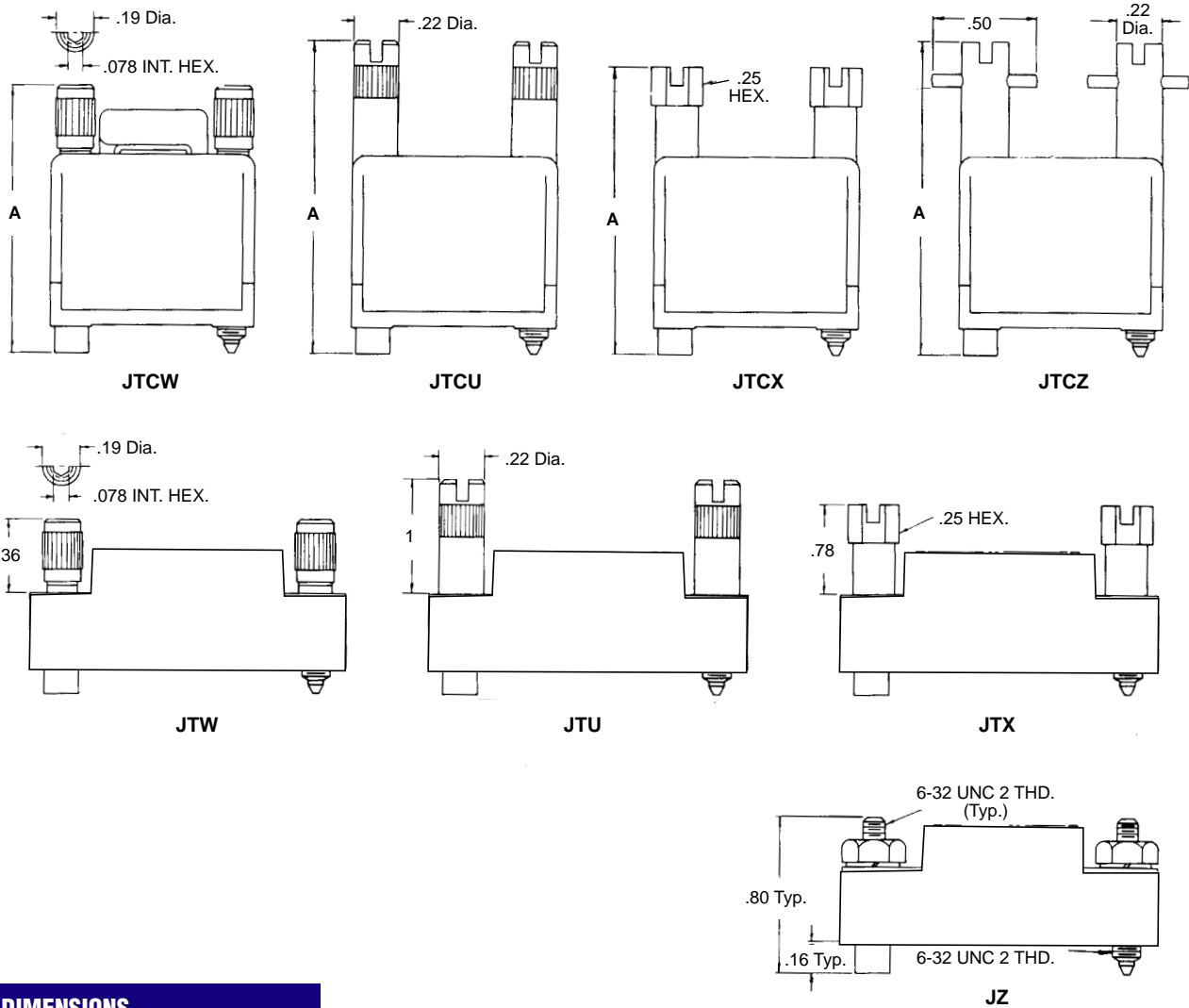
# Rack & Panel

## MRAC Series

## Miniature Rectangular, Removable Contacts

### OUTLINE JACKSCREW & JACKSOCKETS

Dimensions are for reference only and are subject to change. Outline drawings on request.



### DIMENSIONS

#### Hood Type

All jackscrews and sockets are stainless steel, passivated except J & JTD which are nickel plated brass. All knobs are aluminum, anodized except JTW and JTCW which are stainless steel, passivated.

Type JTCW					Type JTCU					Type JTCX					Type JTCZ								
Size	H	H1	H8	H9	H13	Size	H	H1	H8	H9	H13	Size	H	H1	H8	H9	H13	Size	H	H1	H8	H9	H13
Dimension A					Dimension A					Dimension A					Dimension A								
9	-	2.22	-	-	2.22	9	-	2.47	-	-	2.47	9	-	2.34	-	-	2.34	9	-	2.47	-	-	2.47
14	-	2.22	-	-	2.22	14	-	2.47	-	-	2.47	14	-	2.34	-	-	2.34	14	-	2.47	-	-	2.47
18	-	2.22	-	-	2.22	18	-	2.47	-	-	2.47	18	-	2.34	-	-	2.34	18	-	2.47	-	-	2.77
20	-	2.22	-	2.22	2.22	20	-	2.47	-	2.47	2.47	20	-	2.34	-	2.34	2.34	20	-	2.47	-	2.47	2.47
26	2.22	2.22	2.22	2.22	-	26	2.47	2.47	2.47	2.47	-	26	2.61	2.34	2.34	2.34	-	26	2.73	2.47	2.47	2.47	-
34	2.22	2.22	2.22	2.22	-	34	2.47	2.47	2.47	2.47	-	34	2.34	2.34	2.34	2.34	-	34	2.47	2.47	2.47	2.47	-
41	2.22	2.22	-	-	-	41	2.47	2.47	-	-	-	41	2.34	2.34	-	-	-	41	2.47	2.47	-	-	-
42	2.22	2.22	2.22	2.22	-	42	2.47	2.47	2.47	2.47	-	42	2.34	2.34	2.34	2.34	-	42	2.47	2.47	2.47	2.47	-
50	2.22	2.22	2.22	2.22	-	50	2.47	2.47	2.47	2.47	-	50	2.34	2.34	2.34	2.34	-	50	2.47	2.47	2.47	2.47	-
66	2.22	-	-	2.22	-	66	2.47	-	-	2.47	-	66	2.34	-	-	2.34	-	66	2.47	-	-	2.47	-
75	2.22	2.22	2.22	2.22	-	75	2.47	2.47	2.47	2.47	-	75	2.34	2.34	2.34	2.34	-	75	2.47	2.47	2.47	2.47	-

Winchester

62 Barnes Industrial Road North, Wallingford, Connecticut 06492 Phone:(203)741-5400 Fax:(203)741-5500 www.winchesterelectronics.com



# Rack & Panel

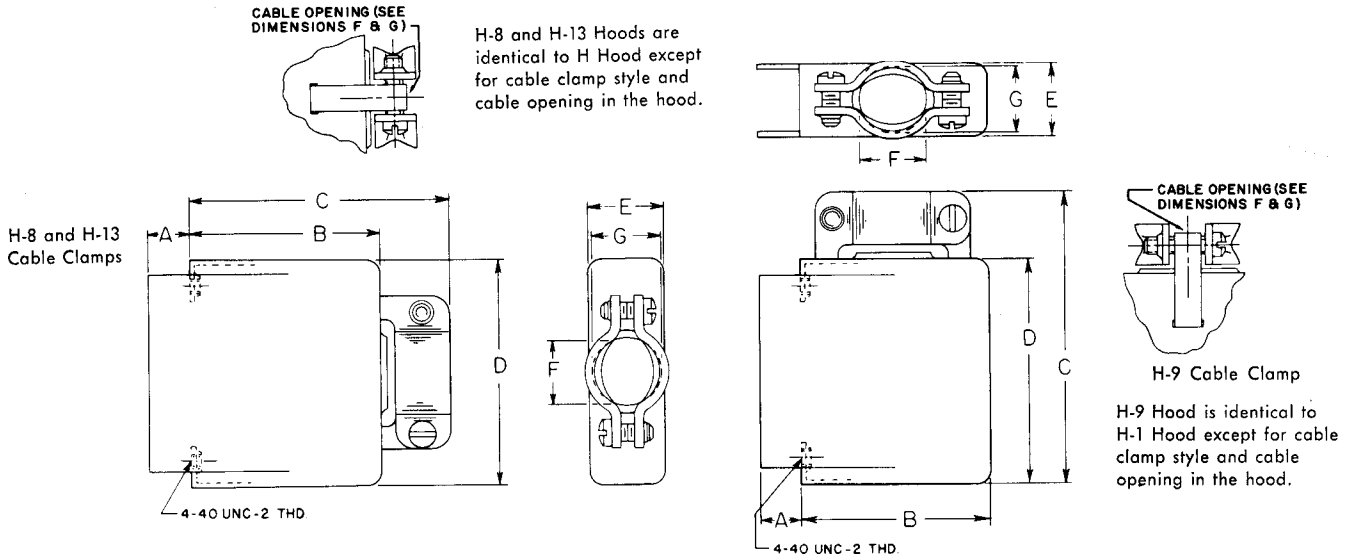
## MRAC Series

## Miniature Rectangular, Removable Contacts

### OUTLINE FORMED ALUMINUM HOODS

Dimensions are for reference only and are subject to change. Outline drawings on request.

Hoods shown are MRE Hoods for use with MRAC Connectors



### DIMENSIONS

Formed Hoods for MRAC Connectors are available in top and side opening for most MRAC Connectors - Deep Drawn Hoods are available for MRAC 34, MRAC 66 and MRAC 104 connectors ... providing additional strength. Hoods and cable clamps are of anodized

aluminum. They provide support and strain relief for the cable and may be applied to either Plug or Receptacle.

Hoods may be ordered separately (see code numbers in the tables below) or assembled on connectors.

#### Top Cable Opening

Code No.	DIMENSIONS							Cable Opening	Wt. Oz.	Fits Connector
	A	B	C	D	E	F	G			
MRE9H-13	.28	1.28	1.58	1.31	.44	.59	.31	.3	MRAC9 (P or S)	
MRE14H-13	.28	1.28	1.58	1.25	.5	.59	.38	.3	MRAC14 (P or S)	
MRE18H-13	.28	1.28	1.78	1.31	.63	.61	.44	.3	MRAC18 (P or S)	
MRE20H-13	.28	1.28	1.58	1.56	.5	.66	.38	.3	MRAC20 (P or S)	
MRE26H	.28	1.28	1.72	1.63	.64	.59	.38	.4	MRAC26 (P or S)	
MRE26H-8	.28	1.28	1.78	1.63	.64	.78	.44	.4		
MRE34H	.28	1.25	1.69	2	.83	.66D	-	.6	MRAC34 (P or S)	
MRE34H-8	.28	1.25	1.75	2	.83	1.06	.56	.6		
MRE41H	.28	1.25	1.69	2.63	.5	.66	.44	.6	MRAC41 (P or S)	
MRE42H	.09	1.30	1.73	2.31	.83	.63D	-	.7	MRAC42 (P or S)	
MRE42H-8	.09	1.30	1.80	2.31	.83	1.06	.56	.7		
MRE50H	.09	1.30	1.73	2.59	.83	.63D	-	.8	MRAC50 (P or S)	
MRE50H-8	.09	1.30	1.80	2.59	.83	1.06	.56	.8		
MRE75H	.09	1.31	1.75	2.59	1.19	.63	.88	1.0	MRAC75 (P or S)	
MRE75H-8	.09	1.31	1.86	2.59	1.19	1	.88	1.0		

#### Side Cable Opening

Code No.	DIMENSIONS							Cable Opening	Wt. Oz.	Fits Connector
	A	B	C	D	E	F	G			
MRE9H-1	.28	1.28	1.63	1.31	.44	.31D	-	.3	MRAC9 (P or S)	
MRE9H-9	.28	1.28	1.61	1.31	.44	.59	.31	.3		
MRE14H-1	.28	1.28	1.69	1.25	.5	.38D	-	.3	MRAC14 (P or S)	
MRE14H-9	.28	1.28	1.55	1.25	.5	.59	.38	.3		
MRE18H-1	.28	1.28	1.75	1.31	.63	.44D	-	.3	MRAC18 (P or S)	
MRE18H-9	.28	1.28	1.81	1.31	.63	.69	.44	.3		
MRE20H-1	.28	1.28	2	1.56	.5	.38D	-	.3	MRAC20 (P or S)	
MRE20H-9	.28	1.28	1.86	1.56	.5	.66	.38	.3		
MRE26H-1	.28	1.28	2.06	1.63	.64	.59	.38	.4	MRAC26 (P or S)	
MRE26H-9	.28	1.28	2.13	1.63	.64	.78	.44	.4		
MRE34H-1	.28	1.25	2.42	2	.83	.66D	-	.6	MRAC34 (P or S)	
MRE34H-9	.28	1.25	-	2	.83	.81	.56	.6		
MRE41H-1	.28	1.25	3.06	2.63	.5	.66	.44	.6	MRAC41 (P or S)	
MRE42H-1	.09	1.30	2.73	2.31	.83	.63	.5	.7	MRAC42 (P or S)	
MRE42H-9	.09	1.30	-	2.31	.83	.84	.56	.7		
MRE50H-1	.09	1.30	3.02	2.59	.83	.63	.5	.8	MRAC50 (P or S)	
MRE50H-9	.09	1.30	-	2.59	.83	1.06	.56	.8		
MRE75H-1	.09	1.31	3.02	2.59	1.19	.63	.88	1.0	MRAC75 (P or S)	
MRE75H-9	.09	1.31	-	2.59	1.19	1	.88	1.0		

Winchester

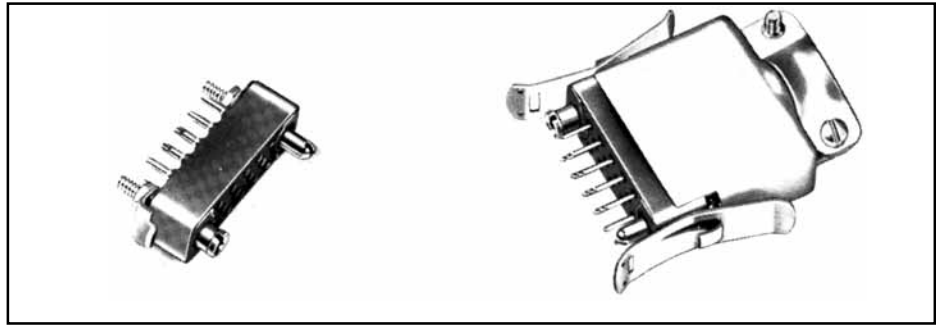
62 Barnes Industrial Road North, Wallingford, Connecticut 06492 Phone:(203)741-5400 Fax:(203)741-5500 www.winchesterelectronics.com



# Rack & Panel

## MRAC Series

## Miniature Rectangular, Removable Contacts



Lock Tabs (MRE-V shown)

Lever & Pivot Assemblies (MRE-VL shown)

### VIBRATION LOCKS

Nomenclature		
Lever & Pilot Assembly	Lock Tabs (See Note)	Used on Connectors
MRE-VL	MRE-V	MRAC 9, 14, 18, 20, 26, 34, 41, and 42
MRE-VL2	MRE-V2	MRAC 50 MRAC 75

Designed for MRAC connectors, this vibration lock features genuine simplicity of design, plus complete locking effectiveness. Assembly of either the lever-and-pivot assembly or the lock

parts to the plug and receptacle is quick and easy. The unit locks automatically when the mating plug and receptacle are engaged. Unlocking and disengaging can be done with one hand.

*Note 1: When panel mounting the lock-tab half of a MRAC 34, MRAC 42 or MRAC 50 connector, flat washers (.033 minimum thickness) should be used on the mounting screws to shim the molding away from the panel.*

*Note 2: Each code number indicates two units, i.e., the "MRE-VL" consists of two levers and two pivots (unassembled\*), and the "MRE-V" consists of two tabs.*

*Note 3: These units are supplied unassembled to facilitate handling. The pivot is easily assembled to the lever merely by inserting the hooked end through the lever opening. It will automatically snap into proper position. Patent #2,760,174.*

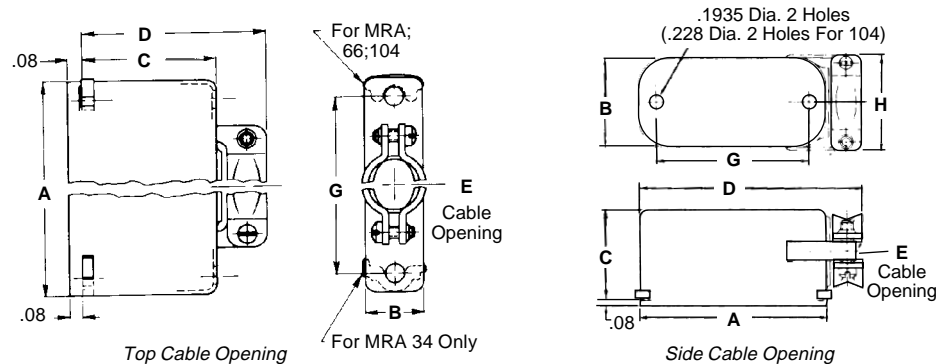
### DIMENSIONS / OUTLINE DRAWN ALUMINUM HOODS

#### Hoods shown are MRA Hoods for use with MRAC Connectors

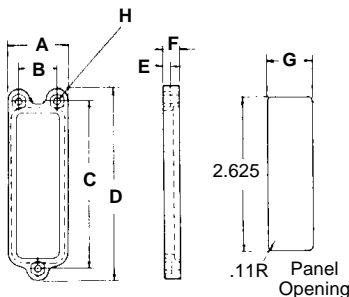
Code No.	DIMENSIONS - Top Opening							Wt. Oz.	Fits Connector
	A	B	C	D	E	H	G		
MRA 34H-491	2.08	.83	1.17	1.59	.66 x .75	-	1.688	.6	MRAC 34P MRAC 34S
MRA 66H	2.38	1.22	1.17	1.69	1.03 Dia.	-	1.969	.8	MRAC 66P MRAC 66S
MRA 104H	2.84	1.63	2.23	2.75	1.19 Dia.	-	2.375	1.0	MRAC 104P MRAC 104S

Code No.	DIMENSIONS - Side Opening							Wt. Oz.	Fits Connector
	A	B	C	D	E	H	G		
MRA 34H9-491	2.08	.83	1.17	2.59	.64 x .75	1.06	1.688	.6	MRAC 34P MRAC 34S
MRA 66H9	2.38	1.22	1.17	2.92	.84 Dia.	1.34	1.969	.8	MRAC 66P MRAC 66S
MRA 104H9	2.84	1.63	2.23	3.39	1.19 Dia.	1.63	2.375	1.0	MRAC 104P MRAC 104S

Dimensions are for reference only and are subject to change. Outline drawings on request.



### DIMENSIONS / OUTLINE DRAWN MOUNTING BRACKETS



MRAC 50 and MRAC 75 connectors use the standard MRE 50 and MRE 75 mounting brackets.

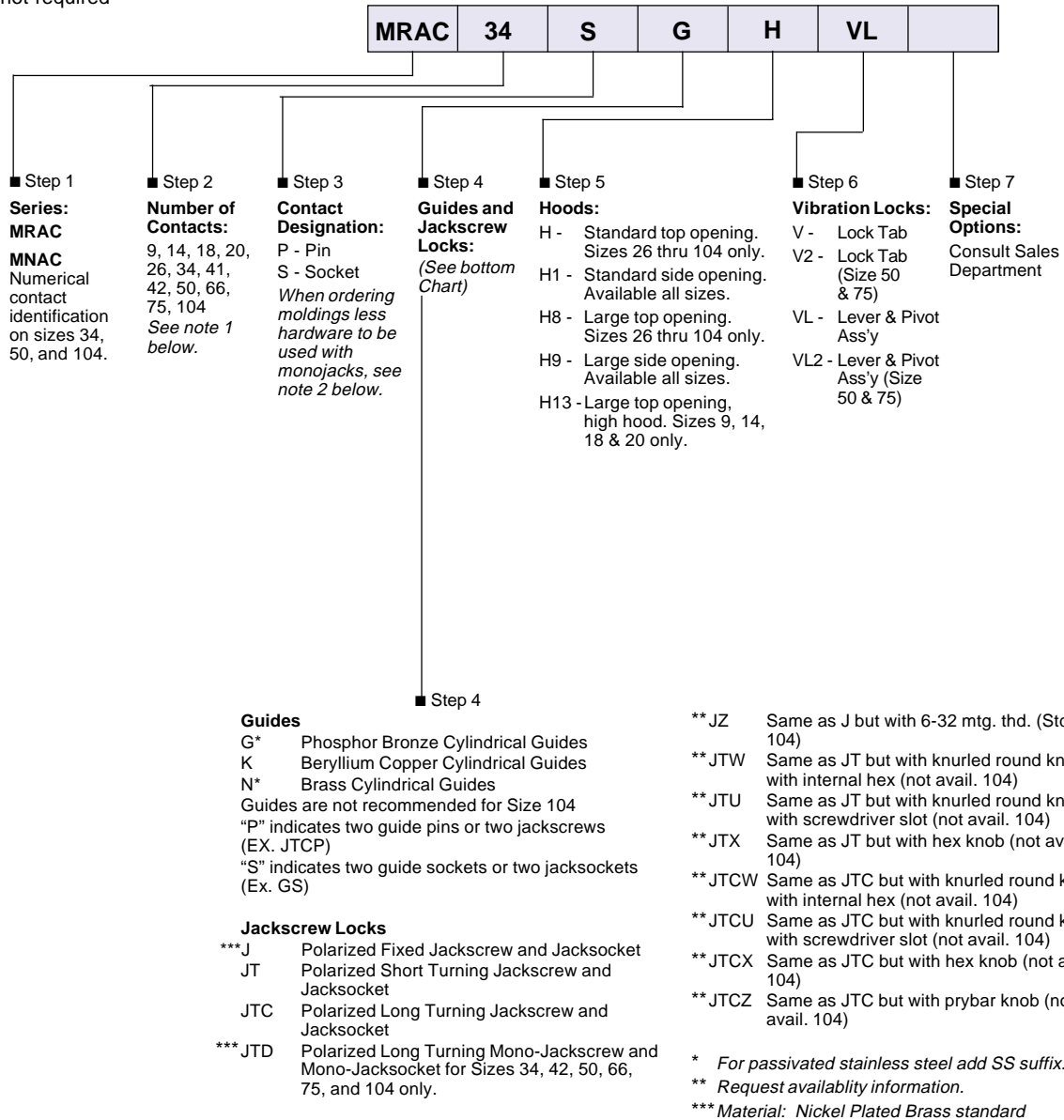
Code No.	DIMENSIONS								Wt. Oz.
	A	B	C	D	E	F	G	H	
MRE 50B	1.06	.688	3.031	3.44	.13	.28	.78	.128 Dia 3 Holes (No. 4 Mounting Screw)	.4
MRE 75B	1.48	1.047	3.062	3.56	.14	.30	1.14	.150 Dia 3 Holes (No. 6 Mounting Screw)	.6

Winchester.

62 Barnes Industrial Road North, Wallingford, Connecticut 06492 Phone:(203)741-5400 Fax:(203)741-5500 www.winchesterelectronics.com

### ORDERING INFORMATION

Omit steps not required

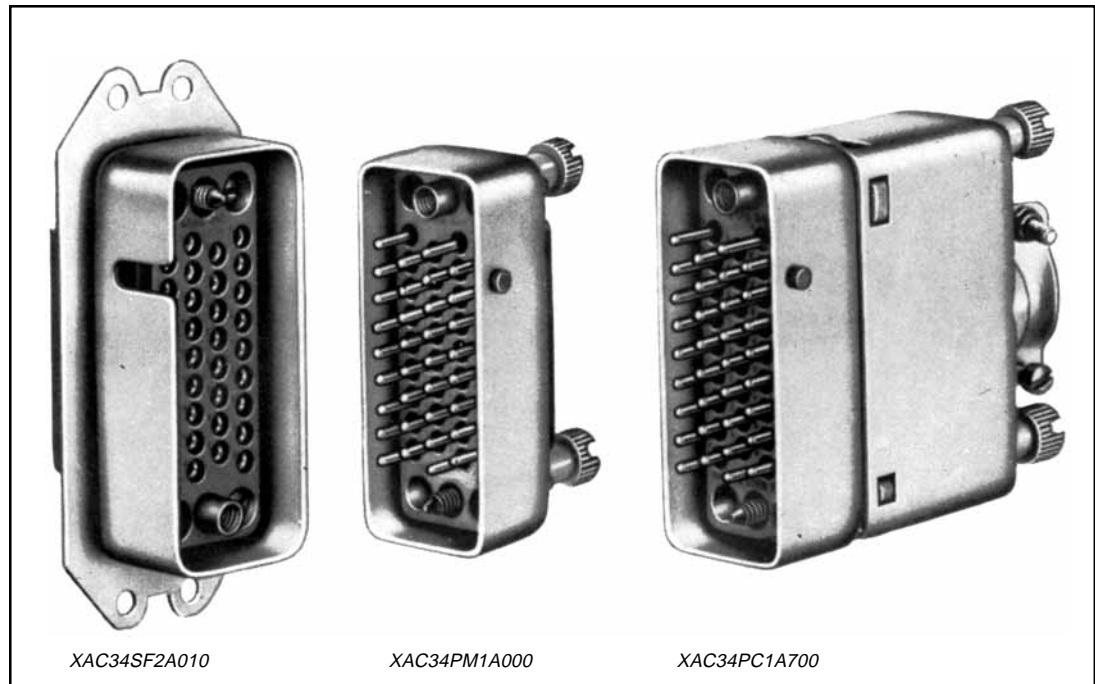


**Notes:** 1. Contacts are ordered separately. See 100 Series contact section of Rack & Panel  
2. When ordering molding less hardware and hood for use with JTD Monojacks, connectors must be ordered as follows:

Pin connector = MRAC 34P8, MRAC 42P8, etc.

Socket connector = MRAC 34S8, MRAC 42S8, etc.

The number "8" indicates special housing for use with the JTD Monojack hardware (available on sizes 34, 42, 50, 66, 75 and 104).



Designed for external installation, the XAC is the MRAC removable contact connector equipped with protective shells and mounting plates for chassis or cable mounting on metal containers, bulkheads, or any outside surface

equipment. Lighter and smaller than other external connectors, they provide dependable service under adverse conditions. Inserts are housed in protective shells and there is screw lock coupling of plug and receptacle.

### SPECIFICATIONS

**Current Rating:** Up to 13 amps

**No. of Contacts:** 9, 14, 18, 20, 26, 34, 42, 50, 66, 75, 104

**Contacts:** Contacts must be ordered separately. Select from crimp, solder, dip solder, shielded or wire wrap terminations.

**Electrical Data:** Meets high potential performance requirements of MIL-C-28748. The dielectric withstanding voltage is one minute electrification at 2000 VAC.

Military versions are QPL'd to M28748/3 and M28748/4.

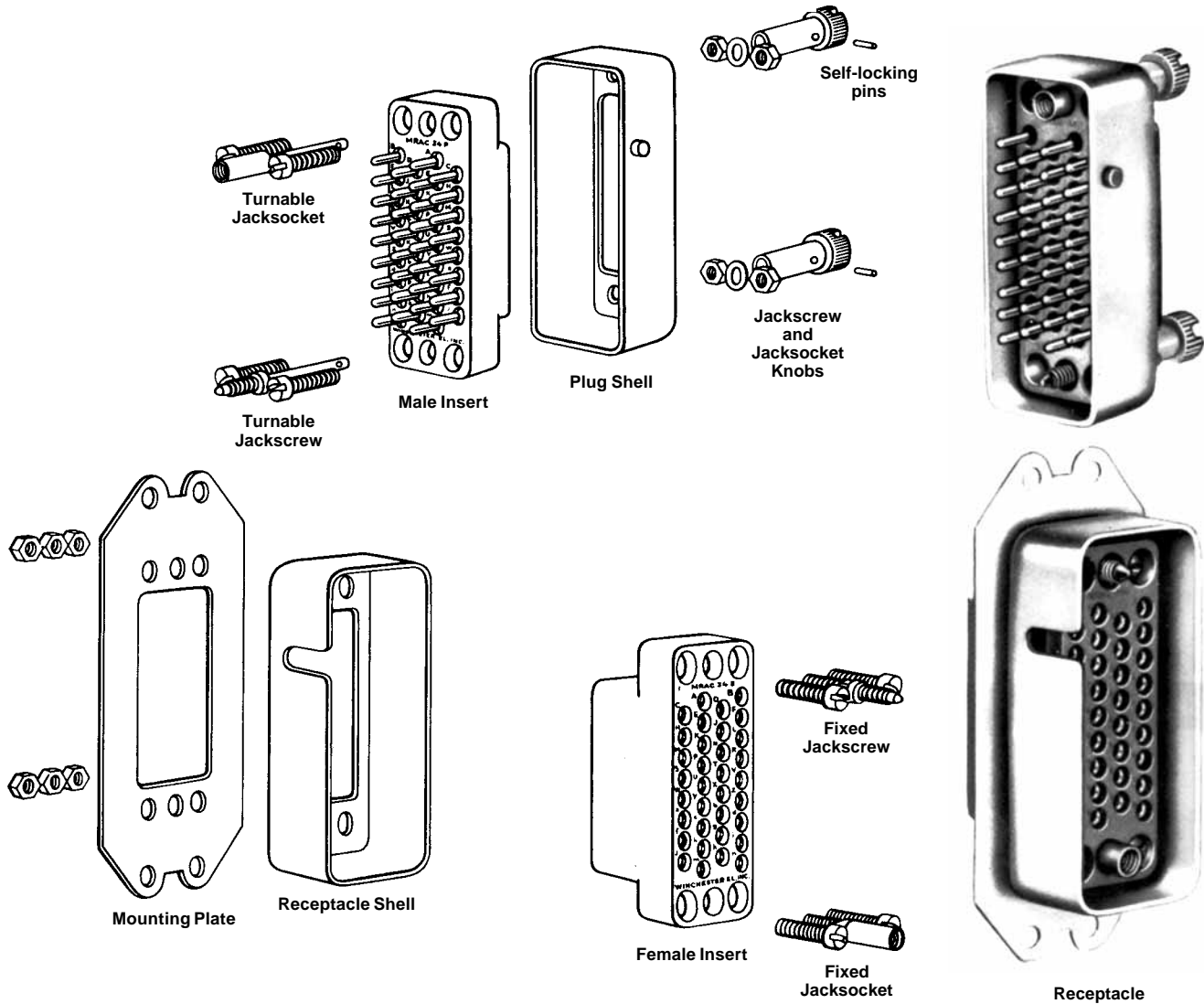
**Dielectric:** Diallyl Phthalate, MIL-M-14, Type SDG-F, Color Gray

**Polarization:** Seven positions available for pin and slot polarization on shells. Additional polarization can be provided with various arrangements of jackscrews and guides.

**Accessories:** Shells, formed and drawn hoods, mounting plates, jackscrews and jacksockets.

CATALOG NO.		CATALOG NO.		CATALOG NO.	
XAC9-0300X	MS 18192-T8	XMRE75-0400XS	MS 18192SXX	XJMS603P	MS 18196-3
XAC14-0300X	MS 18192-T1	XMRE75-0400XP	MS 18192-S6	XJMS603S	MS 18196-4
XAC20-0300X	MS 18192-T2	XMRA66-0700	MS 18193-T1	XNMS700P	MS 18197-1
XMRE9-0400X	MS 18192-S8	XMRA66-0800	MS 18193-S1	XNMS700S	MS 18197-2
XMRE14-0400X	MS 18192-S1	XMRA 104-0700	MS 18193-T2	XNMS702P	MS 18197-3
XMRE20-0400X	MS 18192-S2	XMRA 104-0800	MS 18193-S2	XNMS702-S	MS 18197-4
XMRE26-0300X	MS18192-T9	XJTCMS605P	MS 18194-1	XMRA 14-0010	MS 18198-1
XMRE26-0400X	MS 18192-S9	XJTCMS605S	MS 18194-2	XMRA 20-0010	MS 18198-2
XMRE34-0300X	MS18192-T3	XJTCMS608P	MS 18194-3	XMRA 34-0010	MS 18199-1
XMRE34-0400X	MS 18192-S3	XJTCMS608S	MS 18194-4	XMRA42-0010	MS 18199-2
XMRE42-0300X	MS 18192-T4	XJTMS605P	MS 18195-1	XMRA50-0010	MS 18199-3
XMRE42-0400X	MS 18192-S4	XJTMS605S	MS 18195-2	XMRA75-0010	MS 18199-4
XMRE50-0300X	MS18192-T5	XJTMS606P	MS 18195-3	XMRA66-0010	MS 18200-1
XMRE50-0400X	MS 18192-S5	XJTMS606S	MS 18195-4	XMRA104-0010	MS 18200-2
XMRE75-0300XP	MS 18192-T6	XJMS602P	MS 18196-1		
XMRE75-0300XS	MS 18192-TXX	XJMS602S	MS 18196-2		

### CONNECTOR ASSEMBLIES



### DEFINITIONS OF CONNECTOR TERMS

**Plug:** The complete connector half which has the plug shell as part of its assembly.

**Receptacle:** The complete connector half which has the receptacle shell as part of its assembly.

**Shell:** The metal housing in which a male or female insert is assembled. A shell is either a plug shell or a receptacle shell:

*Plug Shell - one which is designed to be inserted into a receptacle shell.*

*Receptacle Shell - one which is designed to receive and enclose the plug shell upon engagement.*

**Male Insert:** The molded insulator body containing pin contacts.

**Female Insert:** The molded insulator body containing socket contacts.

**Pin Contacts:** Male Contacts that fit into the socket contacts.

**Socket Contacts:** Female Contacts tubular in shape, which receive the pin contacts and retain them by spring tension.

**Polarization:** A means of controlling the engagement of a plug and receptacle so that correct mating of the contacts is achieved.

**Accessories:** Those components such as hoods and mounting plates which are attachable to a plug or receptacle to facilitate mounting and/or handling of the connector, and to prevent inadvertent cross-mating.

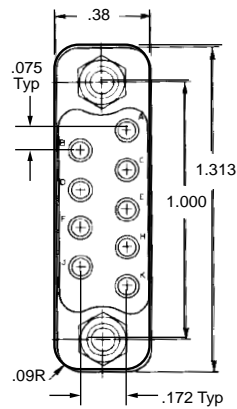
# Rack & Panel

## XAC Series

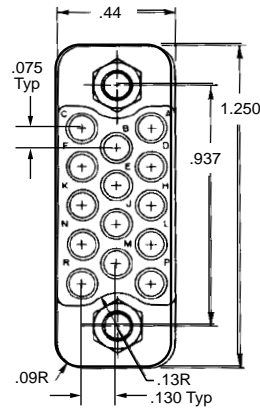
## External Miniature Rectangular, Removable Contacts

### CONTACT ARRANGEMENTS

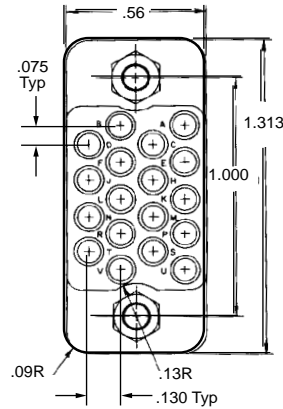
Dimensions are for reference only and are subject to change. Outline drawings on request. Views are rear (wiring end) of female inserts. (Male inserts are opposite.)



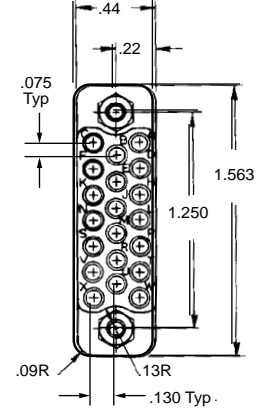
XAC 9



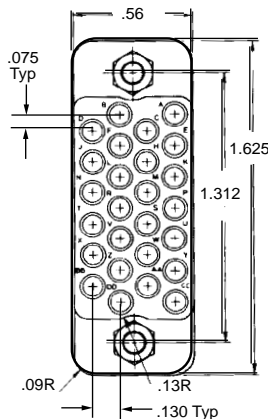
XAC 14



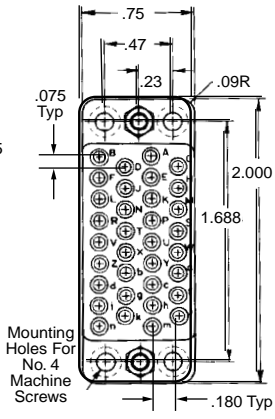
XAC 18



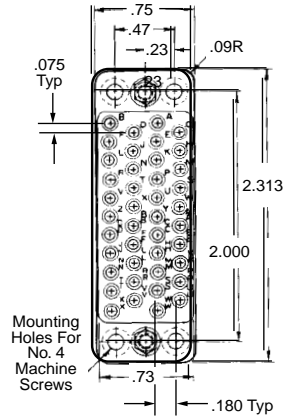
XAC 20



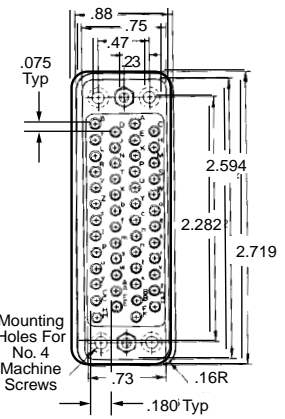
XAC 26



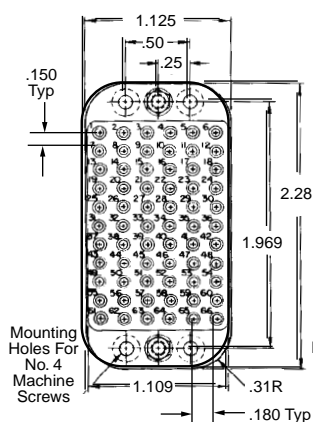
XAC 34\*



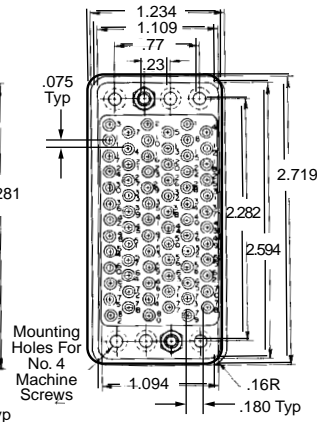
XAC 42



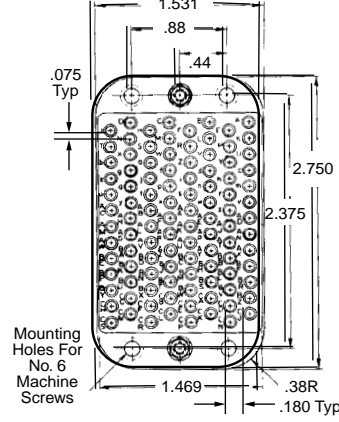
XAC 50\*



XAC 66



XAC 75



XAC 104\*

\*For numerical contact identification instead of alphabetical, order XNAC\*\*P or S available in sizes 34, 50, and 104.

Sizes 66 and 75 have numerical contact identification as standard.

The spacing, arrangement, and identification of contacts of the XAC inserts are the same as those found on the Series MRAC removable contact connectors for the same number of contacts.

Winchester

62 Barnes Industrial Road North, Wallingford, Connecticut 06492 Phone:(203)741-5400 Fax:(203)741-5500 www.winchesterelectronics.com



# Rack & Panel

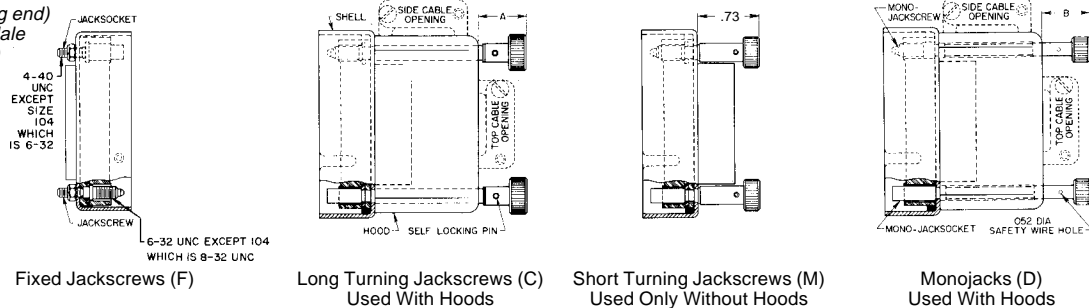
## XAC Series

## External Miniature Rectangular, Removable Contacts

### JACKSCREW & JACKSOCKETS

Dimensions are for reference only and are subject to change. Outline drawings on request.

Views are rear (wiring end) of female inserts. (Male inserts are opposite.)



### SPECIFICATIONS

Turnable jackscrew-jacksOCKET combination (M, C, or D) assembles on either Plug or Receptacle; the mating connector-half (either Receptacle or Plug) must then contain fixed jackscrew-jacksOCKET combination (F).

Both short and long turning jackscrews (M and C) have knurled and slotted knobs for locking by hand or screwdriver. Knob is assembled on shaft with hollow, removable, self-locking pin. Safety wiring of engaged halves is achieved by using the through-hole in self-locking pin in the knob.

Monojacks (D) are long turning one-piece locking devices with slotted and knurled head. Shaft has through-hole for safety wire. available with hoods only, in sizes 34, 42, 50, 66, 75, and 104.

Drawings show extension of standard knobs beyond shell and beyond hood.

### APPLICATIONS

Jackscrew locking device assures positive coupling of engaged connectors to prevent accidental disconnecting from vibration or physical shock. It also aids easy connection and separation of connector plug and

receptacle. Mounted connector-half houses one non-turnable fixed jackscrew and jacksOCKET to insure connector polarization. Mating-half houses one of the three types of turning jackscrew and jacksOCKET (M, C, or D).

LOCKING DEVICE	SPECIFICATIONS		
	CODE LETTER	WT. OZ. See Notes 1 & 2	MATERIAL AND FINISH
Jackscrew } Fixed JacksOCKET }	F	0.15	Nickel Plated Brass
Jackscrew } Short JacksOCKET } Turnable	M	0.30	Stainless Steel with Passivating Dip
Jackscrew } Long JacksOCKET } Turnable	C	0.45	Stainless Steel with Passivating Dip
Mono-Jackscrew Long Turnable Mono-JacksOCKET	D	1.07	Nickel Plated Brass
Knob Standard	—	—	Aluminum Anodized

Note 1: Weights are for pairs; i.e. for a jackscrew and jacksOCKET, etc., so weight figure may be added once to weights of other accessories when computing total weight of plug or receptacle.

Note 2: Weights of turnable jackscrews and turnable jacksOCKETs include knob and rollpins, except mono-jackscrew and mono-jacksOCKET, which is a one-piece construction (shaft and knob made in one piece); weight of fixed jackscrew and jacksOCKET includes nuts.

### DIMENSIONS

#### Standard Knobs - Extension Beyond Hood

XAC	Dimension A								Dimension B								
	9*	14*	18*	20*	26	34	42	50	66	75	104	34	42	50	66	75	104
0300	.55	.55	.55	.55	.77	.58	.53	.53	—	.52	—	.59	.55	.55	—	.53	—
0400	.55	.55	.55	.55	.55	.58	.53	.53	—	.52	—	.59	.55	.55	—	.53	—
0700	—	—	—	—	—	.58	—	—	.64	—	.52	—	—	—	.38	—	.38
0800	—	—	—	—	—	.58	—	—	.64	—	.52	—	—	—	.38	—	.38

\*On sizes 9, 14, 18, and 20, only large top opening hoods are available when (c) long turning jackscrews are used. Catalog Number for large top opening hoods is - 0300X. Example: XAC20-0300X

## Winchester

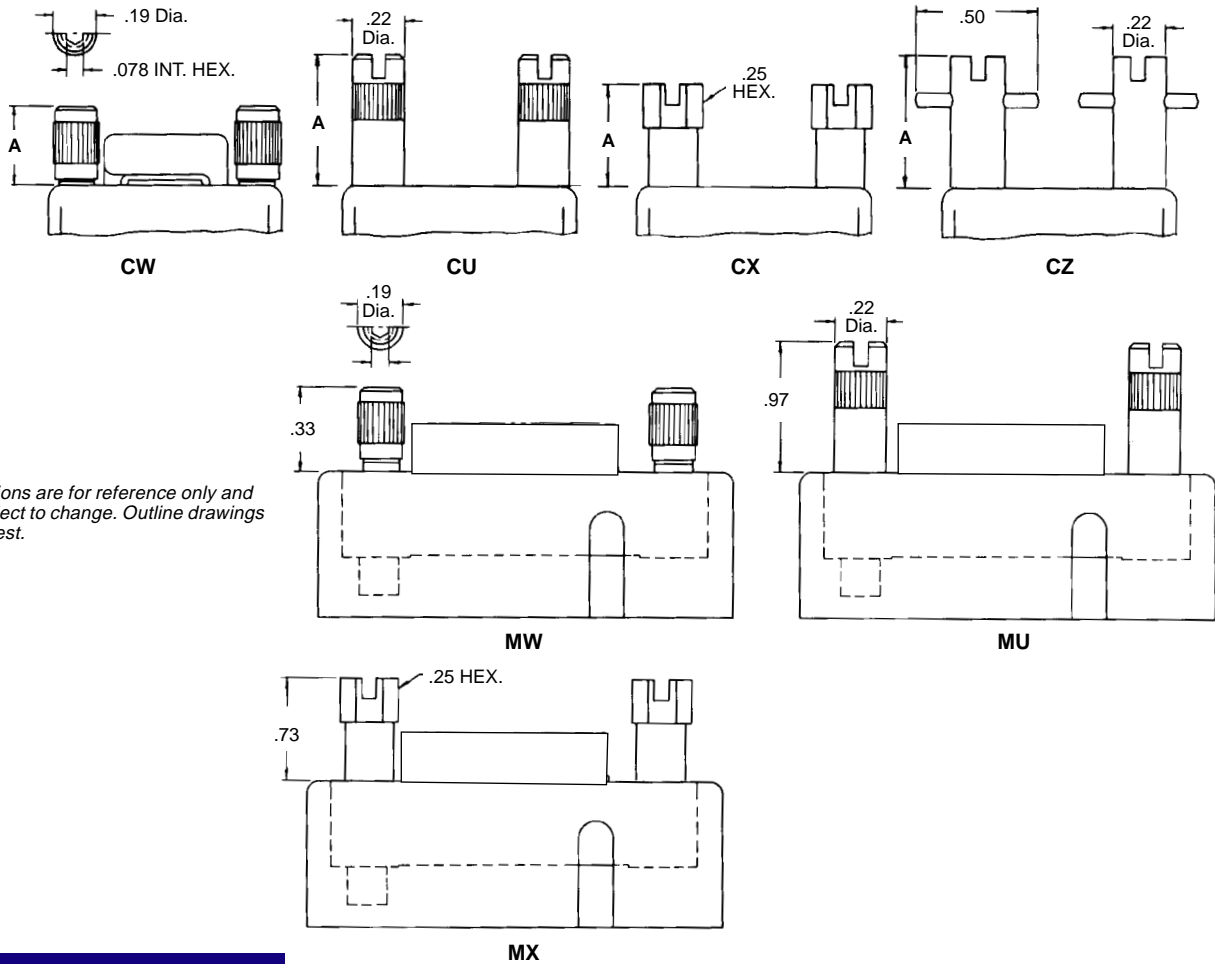
62 Barnes Industrial Road North, Wallingford, Connecticut 06492 Phone:(203)741-5400 Fax:(203)741-5500 www.winchesterelectronics.com

# Rack & Panel

## XAC Series

## External Miniature Rectangular, Removable Contacts

### OUTLINE - JACKSCREWS



Dimensions are for reference only and are subject to change. Outline drawings on request.

### DIMENSIONS

All jackscrews and sockets are stainless steel, passivated (except F & D which are nickel plated brass). All knobs are aluminum, anodized except MW and CW which are stainless steel, passivated.

Size	Hoods						Size	Hoods					
	0300	0400	0300X	0400X	0700	0800		0300	0400	0300X	0400X	0700	0800
Dimension A – Type CW							Dimension A – Type CX						
9	–	.36	.36	.36	–	–	9	–	.48	.48	.48	–	–
14	–	.36	.36	.36	–	–	14	–	.48	.48	.48	–	–
18	–	.36	.36	.36	–	–	18	–	.48	.48	.48	–	–
20	–	.36	.36	.36	–	–	20	–	.48	.48	.48	–	–
26	.36	.36	.36	.36	–	–	26	.77	.48	.48	.48	–	–
34	.39	.39	.39	.39	.47	.47	34	.52	.52	.52	.52	.61	.61
42	.34	.34	.34	.34	–	–	42	.47	.47	.47	.47	–	–
50	.34	.34	.34	.34	–	–	50	.47	.47	.47	.47	–	–
66	–	–	–	–	.47	.47	66	–	–	–	–	.61	.61
75	.33	.33	.33	.33	–	–	75	.45	.45	.45	.45	–	–
Dimension A – Type CU							Dimension A – Type CZ						
9	–	.61	.61	.61	–	–	9	–	.61	.61	.61	–	–
14	–	.61	.61	.61	–	–	14	–	.61	.61	.61	–	–
18	–	.61	.61	.61	–	–	18	–	.61	.61	.61	–	–
20	–	.61	.61	.61	–	–	20	–	.61	.61	.61	–	–
26	.61	.61	.61	.61	–	–	26	.92	.61	.61	.61	–	–
34	.64	.64	.64	.64	.72	.72	34	.64	.64	.64	.64	.72	.72
42	.59	.59	.59	.59	–	–	42	.59	.59	.59	.59	–	–
50	.59	.59	.59	.59	–	–	50	.59	.59	.59	.59	–	–
66	–	–	–	–	.72	.72	66	–	–	–	–	.72	.72
75	.58	.58	.58	.58	–	–	75	.58	.58	.58	.58	–	–

Winchester

62 Barnes Industrial Road North, Wallingford, Connecticut 06492 Phone:(203)741-5400 Fax:(203)741-5500 www.winchesterelectronics.com



# Rack & Panel

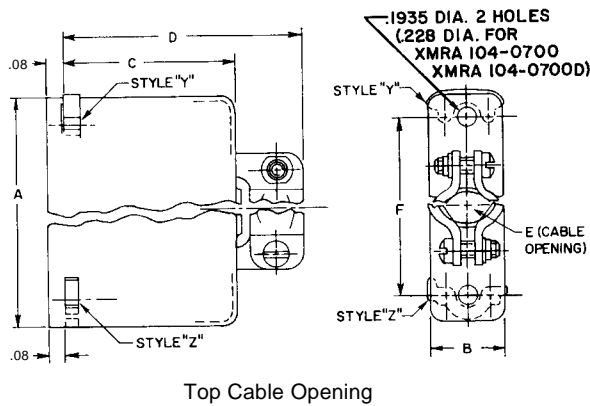
## XAC Series

## External Miniature Rectangular, Removable Contacts

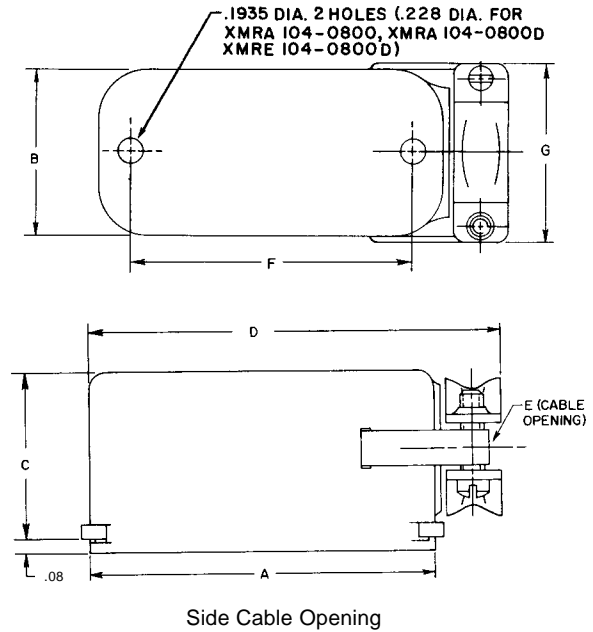
### OUTLINE HOODS - DRAWN ALUMINUM

Dimensions are for reference only and are subject to change. Outline drawings on request.

The XAC Series uses standard XMRA/XMRE protective hardware. To order separately, use XMRE/XMRA catalog numbers indicated.



Top Cable Opening



Side Cable Opening

### DIMENSIONS

XMRA Drawn Hoods for use with XAC Connectors.

#### Hoods - Side Cable Opening

For Use With	Hood Part No. (If ordered separately)	DIMENSIONS						
		A	B	C	D	E	F	G
Type C Jack Sockets and Jackscrews	XMRA 34-0800	2.09	.84	1.17	2.58	.64x.75	1.688	1.06
	XMRA 66-0800	2.38	1.22	1.17	2.91	.84D	1.969	1.34
	XMRA 104-0800	2.84	1.63	2.23	3.38	1.19D	2.375	1.63
Type D Jack Sockets and Jackscrews	XMRA 34-0800D	2.09	.84	1.17	2.58	.64x.75	1.688	1.06
	XMRA 66-0800D	2.38	1.22	1.17	2.91	.84D	1.969	1.34
	XMRA 104-0800D	2.84	1.63	2.23	3.38	1.19D	2.375	1.63
Type F Jackscrews	XMRA 34-0200	2.09	.84	1.17	2.58	.64x.75	-	1.06
	XMRA 66-0200	2.38	1.22	1.17	2.91	.84D	-	1.34
	XMRA 104-0200	2.84	1.63	2.23	3.38	1.19D	-	1.63

#### Hoods - Top Cable Opening

For Use With	Hood Part No. (If ordered separately)	DIMENSIONS					
		A	B	C	D	E	F
Type C Jack Sockets and Jackscrews	XMRA 34-0700	2.09	.84	1.17	1.59	.66x.75	1.688
	XMRA 66-0700	2.38	1.22	1.17	1.69	1.03D	1.969
	XMRA 104-0700	2.84	1.63	2.23	2.75	1.19D	2.375
Type D Jack Sockets and Jackscrews	XMRA 34-0700D	2.09	.84	1.17	1.59	.66x.75	1.688
	XMRA 66-0700D	2.38	1.22	1.17	1.69	1.03D	1.969
	XMRA 104-0700D	2.84	1.63	2.23	2.75	1.19D	2.375
Type F Jackscrews	XMRA 34-0900	2.09	.84	1.17	1.59	.66x.75	-
	XMRA 66-0900	2.38	1.22	1.17	1.69	1.03D	-
	XMRA 104-0900	2.84	1.63	2.23	2.75	1.19D	-

Winchester.

62 Barnes Industrial Road North, Wallingford, Connecticut 06492 Phone:(203)741-5400 Fax:(203)741-5500 www.winchesterelectronics.com

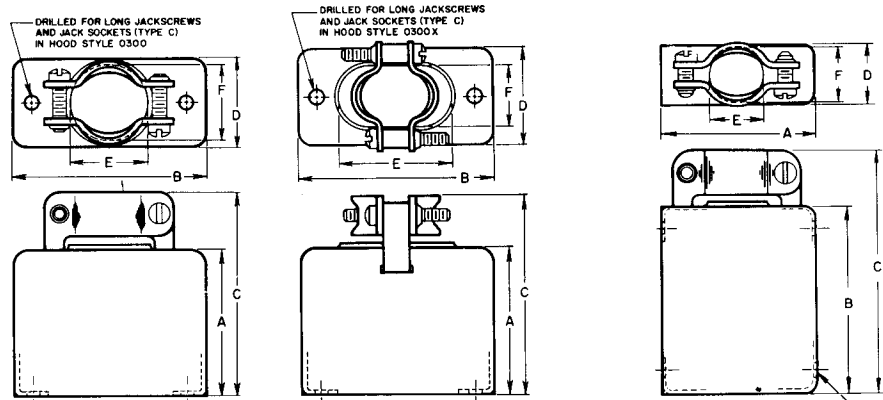
# Rack & Panel

## XAC Series

## External Miniature Rectangular, Removable Contacts

### OUTLINE HOODS - FORMED ALUMINUM

Dimensions are for reference only and are subject to change. Outline drawings on request.



Top Cable Opening

Large Top Cable Opening

Side Cable Opening

### DIMENSIONS

XMRE Formed Hoods for use with XAC Connectors

#### Hoods - Top Cable Opening

For use with Monojacks	For use with Type C Jacksockets & Jackscrews	For use with Fixed Jackscrews*	Dimensions				Cable Opening		Wt. Oz. (Inc. 2 Cable Clamps and Screws)
	Hood Part No. (If ordered separately)		A	B	C	D	E Dia.	F Dia.	
	XAC 9-0300X	XAC 9-0500XJ	1.28	1.31	1.58	.44	.59	.31	0.3
	XAC 14-0300X	XAC 14-0500XJ	1.28	1.25	1.58	.50	.59	.38	0.3
	XAC 18-0300X	XAC 18-0500XJ	1.28	1.31	1.78	.63	.61	.44	0.4
	XAC 20-0300X	XAC 20-0500XJ	1.28	1.56	1.58	.50	.66	.38	0.3
	XMRE 26-0300	XMRE 26-0500J	1.28	1.63	1.72	.64	.59	.38	
	XMRE 26-0300X	XMRE 26-0500XJ	1.28	1.63	1.78	.64	.78	.44	0.4
XMRE 34-0300D	XMRE 34-0300	XMRE 34-0500J	1.25	2	1.69	.83	.66	—	
XMRE 34-0300XD	XMRE 34-0300X	XMRE 34-0500XJ	1.25	2	1.75	.83	1.06	.56	0.6
XMRE 42-0300D	XMRE 42-0300	XMRE 42-0500J	1.30	2.31	1.73	.83	.63	—	
XMRE 42-0300XD	XMRE 42-0300X	XMRE 42-0500XJ	1.30	2.31	1.80	.83	1.06	.56	0.7
XMRE 50-0300D	XMRE 50-0300	XMRE 50-0500J	1.30	2.59	1.73	.83	.63	—	
XMRE 50-0300XD	XMRE 50-0300X	XMRE 50-0500XJ	1.30	2.59	1.80	.83	1.06	.56	0.8
XMRE 75-0300D	XMRE 75-0300	XMRE 75-0500J	1.31	2.59	1.75	1.19	.63	.88	
XMRE 75-0300XD	XMRE 75-0300X	XMRE 75-0500XJ	1.31	2.59	1.86	1.19	1	.88	1.0

\* For use with G, K, or N guides, eliminate letter "J" from part number

#### Hoods - Side Cable Opening

For use with Monojacks	For use with Type C Jacksockets & Jackscrews	For use with Fixed Jackscrews*	Dimensions				Cable Opening		Wt. Oz. (Inc. 2 Cable Clamps and Screws)
	Hood Part No. (If ordered separately)		A	B	C	D	E Dia.	F Dia.	
	XMRE 9-0400	XMRE 9-0600J	1.28	1.31	1.63	.44	.31	—	
	XMRE 9-0400X	XMRE 9-0600XJ	1.28	1.31	1.61	.44	.59	.31	0.3
	XMRE 14-0400	XMRE 14-0600J	1.28	1.25	1.69	.5	.38	—	
	XMRE 14-0400X	XMRE 14-0600XJ	1.28	1.25	1.55	.5	.59	.38	0.3
	XMRE 18-0400	XMRE 18-0600J	1.28	1.31	1.75	.38	.44	—	
	XMRE 18-0400X	XMRE 18-0600XJ	1.28	1.31	1.81	.38	.69	.44	0.4
	XMRE 20-0400	XMRE 20-0600J	1.28	1.56	2	.5	.38	—	
	XMRE 20-0400X	XMRE 20-0600XJ	1.28	1.56	1.86	.5	.66	.38	0.3
	XMRE 26-0400	XMRE 26-0600J	1.28	1.63	2.06	.64	.59	.38	
	XMRE 26-0400X	XMRE 26-0600XJ	1.28	1.63	2.13	.64	.78	.44	0.4
XMRE 34-0400D	XMRE 34-0400	XMRE 34-0600J	1.25	2	2.42	.83	.66	—	
XMRE 34-0400XD	XMRE 34-0400X	XMRE 34-0600XJ	1.25	2	2.50	.83	.81	.56	0.6
XMRE 42-0400D	XMRE 42-0400	XMRE 42-0600J	1.30	2.31	2.73	.83	.63	.5	
XMRE 42-0400XD	XMRE 42-0400X	XMRE 42-0600XJ	1.30	2.31	2.81	.83	.84	.56	0.7
XMRE 50-0400D	XMRE 50-0400	XMRE 50-0600J	1.30	2.59	3.02	.83	.63	.5	
XMRE 50-0400XD	XMRE 50-0400X	XMRE 50-0600XJ	1.30	2.59	3.09	.83	1.06	.56	0.8
XMRE 75-0400D	XMRE 75-0400	XMRE 75-0600J	1.31	2.59	3.02	1.19	.63	.88	
XMRE 75-0400XD	XMRE 75-0400X	XMRE 75-0600XJ	1.31	2.59	3.14	1.19	1	.88	1.0

\* For use with G, K, or N guides, eliminate letter "J" from part number

Winchester

62 Barnes Industrial Road North, Wallingford, Connecticut 06492 Phone:(203)741-5400 Fax:(203)741-5500 www.winchesterelectronics.com

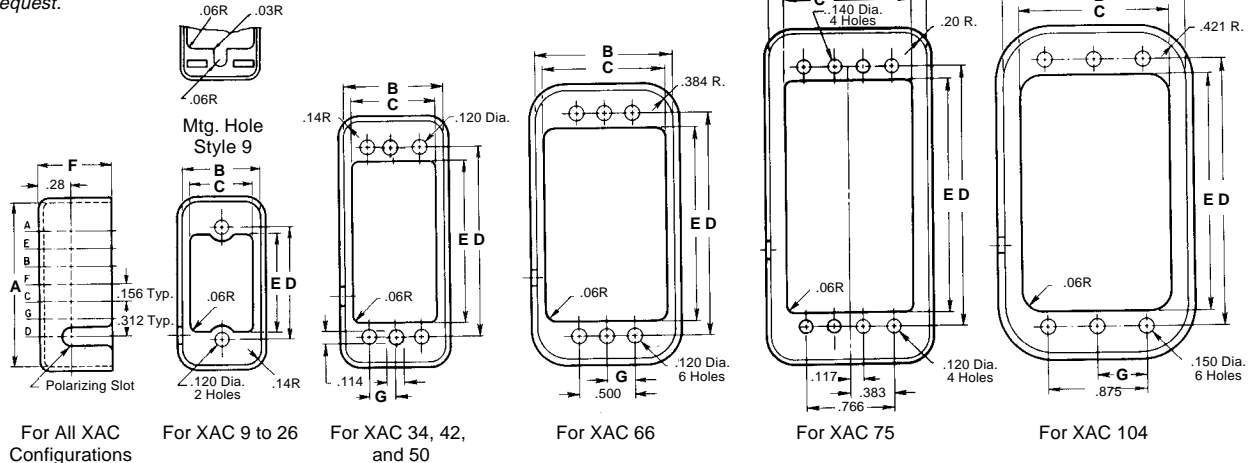
# Rack & Panel

## XAC Series

## External Miniature Rectangular, Removable Contacts

### OUTLINE SHELLS - RECEPTACLES

Dimensions are for reference only and are subject to change. Outline drawings on request.



### DIMENSIONS SHELLS - RECEPTACLES

#### Important Note When Ordering Plug and Receptacle Shells

The shell part numbers given in the table show an asterisk (\*) where the code letter for the desired polarizing position belongs - example: XMRE9-2\*000 becomes XMRE9-2B000 when polarization in position "B" is desired. Specify the same position on the mating shell.

For non-polarized shells, merely omit this position, e.g. XMRE9-2000.

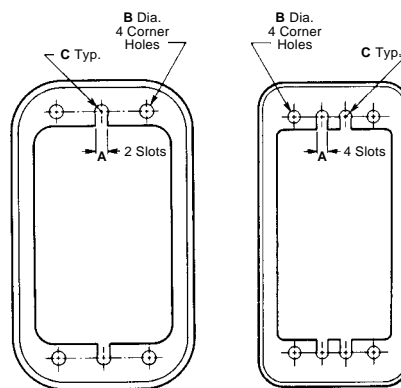
#### TYPICAL SHELLS FOR MONOJACKS STYLE No. 4000

Shells are .040 in. thick.

Shells are aluminum, anodized for protection against corrosion. Either shell style - plug or receptacle - may be used to house the female insert, thus allowing the "live" socket contacts to be cable or panel mounted, as desired. Shells also provide a means by which connector polarization is accomplished - the receptacle shell is slotted for engaging a polarizing pin on the plug shell. Any of seven positions (A, B, C, D, E, F or G) may be specified for polarization; non-polarized shells have the slot and pin omitted.

For Connector Size	A	B	C
34, 42, 50, 66, 75	.11	.120	.06R
104	.14	.150	.07R

Shell Part No. (if ordered separately)	DIMENSIONS							Wt. Oz.
	A	B	C	D	E	F	G	
XMRE 9-2*000	1.45	.52	.38	1.000	.88	.66	-	0.15
XMRE 14-2*000	1.39	.58	.45	.937	.81	.66	-	0.16
XMRE 18-2*000	1.45	.70	.58	1.000	.88	.66	-	0.17
XMRE 20-2*000	1.70	.58	.45	1.250	1.13	.66	-	0.19
XMRE 26-2*000	1.77	.70	.58	1.312	1.19	.66	-	0.23
XMRE 34-2*000	2.14	.89	.75	1.687	1.44	.66	.234	0.25
XMRE 34-4*000	2.14	.89	.75	1.687	1.44	.66	.234	0.25
XMRE 42-2*000	2.45	.89	.75	2.000	1.75	.66	.234	0.28
XMRE 42-4*000	2.45	.89	.75	2.000	1.75	.66	.234	0.28
XMRE 50-2*000	2.86	1.02	.75	2.282	2.03	.66	.234	0.30
XMRE 50-4*000	2.86	1.02	.75	2.282	2.03	.66	.234	0.30
XMRA 66-2*000	2.42	1.27	1.13	1.969	1.72	.66	.250	0.28
XMRA 66-4*000	2.42	1.27	1.13	1.969	1.72	.66	.250	0.28
XMRE 75-2*000	2.86	1.38	1.11	2.282	2.03	.66	-	0.32
XMRE 75-4*000	2.86	1.38	1.11	2.282	2.03	.66	-	0.32
XMRA 104-2*000	2.91	1.69	1.48	2.375	2.13	.66	.437	0.30
XMRA 104-4*000	2.91	1.69	1.48	2.375	2.13	.66	.437	0.30



Receptacle Shell Style No. 2000  
Shells are .040 in. thick.

Winchester.

62 Barnes Industrial Road North, Wallingford, Connecticut 06492 Phone:(203)741-5400 Fax:(203)741-5500 www.winchesterelectronics.com

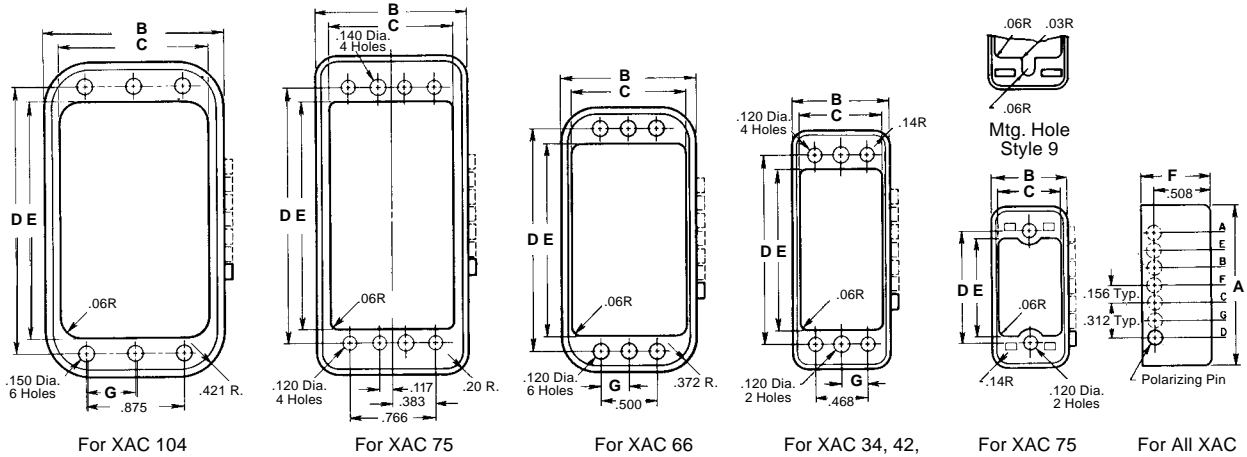
# Rack & Panel

## XAC SERIES

## External Miniature Rectangular, Removable Contacts

### OUTLINE SHELLS - PLUGS

Dimensions are for reference only and are subject to change. Outline drawings on request.



### DIMENSIONS

#### Important Note When Ordering Plug Shells

The shell part numbers given in the table shows an asterisk (\*) where the code letter for the desired polarizing position belongs - example: XMRE9-1\*000 becomes XMRE9-1B000 when polarization in position "B" is desired. Specify the same position on the mating shell.

For non-polarized shells, merely omit this position, e.g. XMRE9-1000.

Shells are .040 in. thick.

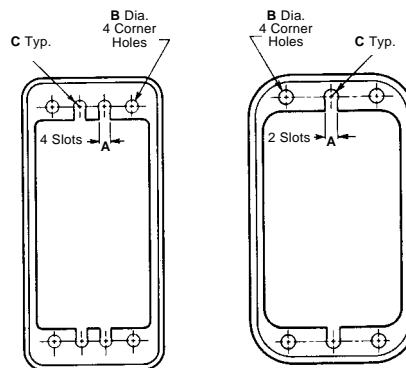
Stainless steel shells available for 66 and 104 sizes. Dimensions vary from those shown for aluminum shells. Check sales for availability and dimensions on all sizes.

Shell Part No. (If ordered separately)	DIMENSIONS							Wt. Oz.
	A	B	C	D	E	F	G	
XMRE 9-1*000	1.44	.5	.38	1.000	.88	.63	-	0.14
XMRE 14-1*000	1.38	.56	.45	.937	.81	.63	-	0.15
XMRE 18-1*000	1.44	.69	.58	1.000	.88	.63	-	0.16
XMRE 20-1*000	1.69	.56	.45	1.250	1.13	.63	-	0.18
XMRE 26-1*000	1.75	.69	.58	1.312	1.19	.63	-	0.22
XMRE 34-1*000	2.13	.88	.75	1.687	1.44	.66	.234	0.24
XMRE 42-1*000	2.44	.88	.75	2.000	1.75	.66	.234	0.26
XMRE 50-1*000	2.84	1	.75	2.282	2.03	.66	.234	0.28
XMRA 66-1*000	2.41	1.25	1.13	1.969	1.72	.66	.250	0.28
XMRE 75-1*000	2.84	1.36	1.11	2.282	2.03	.66	-	0.30
XMRA 104-1*000	2.88	1.66	1.48	2.375	2.13	.66	.437	0.30

#### TYPICAL SHELLS FOR MONOJACKS STYLE No. 3000

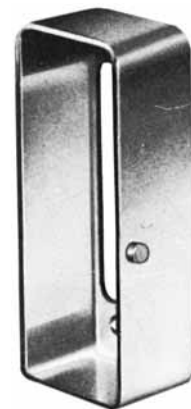
Shells are aluminum, anodized for protection against corrosion. Either shell style - plug or receptacle - may be used to house the female insert, thus allowing the "live" socket contacts to be cable or panel mounted, as desired. Shells also provide a means by which connector polarization is accomplished - the receptacle shell is slotted for engaging a polarizing pin on the plug shell. Any of seven positions (A, B, C, D, E, F or G) may be specified for polarization; non-polarized shells have the slot and pin omitted.

For Connector Size	A	B	C
34, 42, 50, 66, 75	.11	.120	.06R
104	.14	.150	.07R



For XAC 75 Configuration

For XAC 34, 42, 50, 66, and 104 Configurations



Plug Shell Style No. 1000

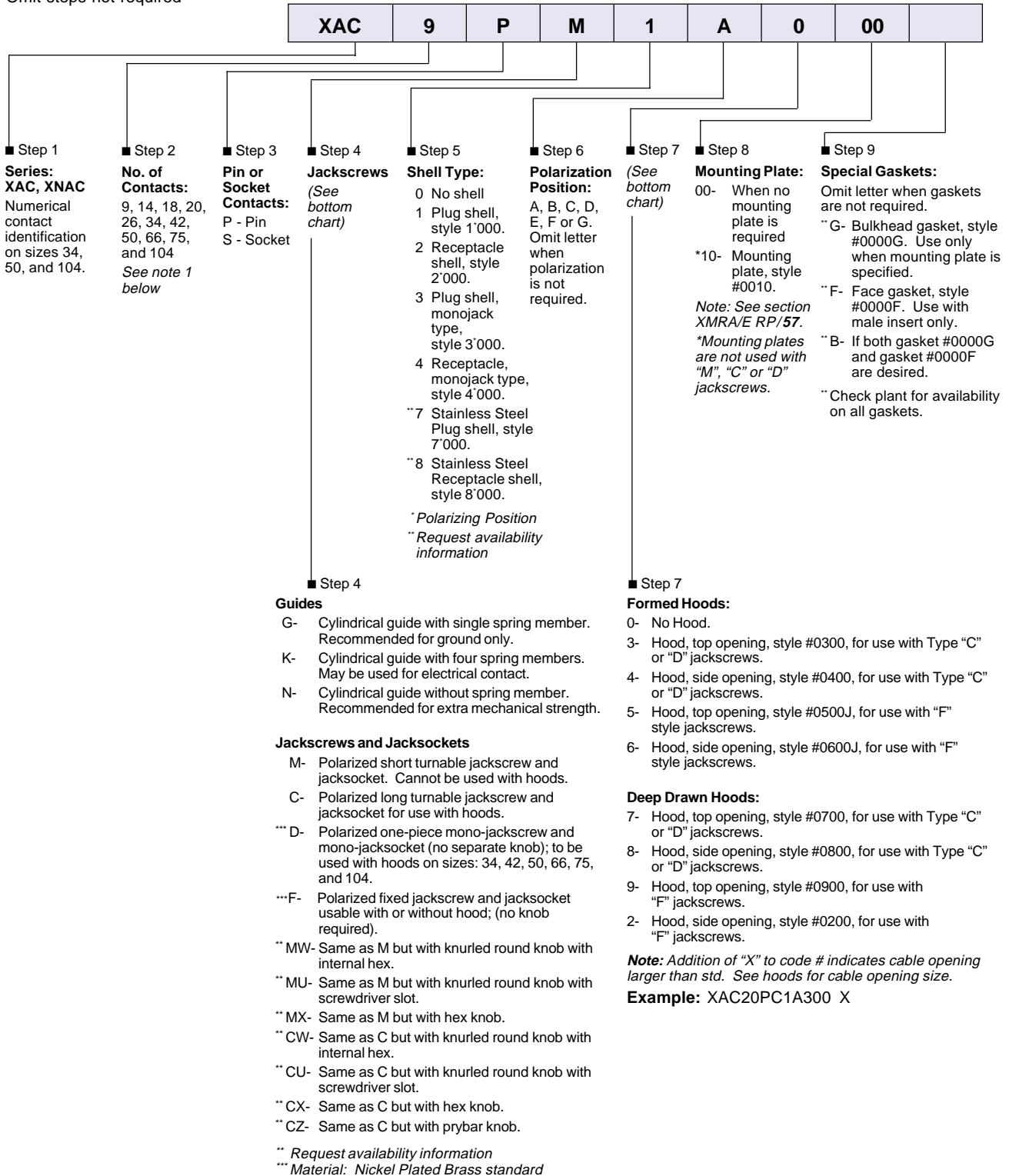
Shells are .040 in. thick.

Winchester

62 Barnes Industrial Road North, Wallingford, Connecticut 06492 Phone:(203)741-5400 Fax:(203)741-5500 www.winchesterelectronics.com

### ORDERING INFORMATION

Omit steps not required

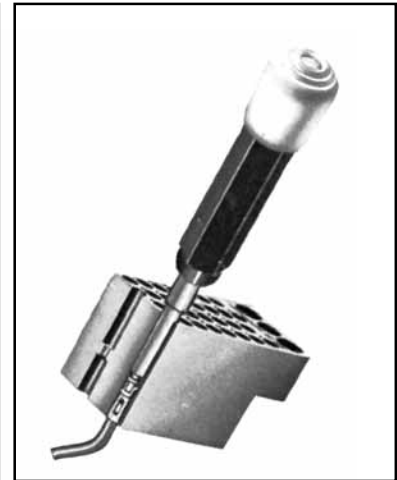
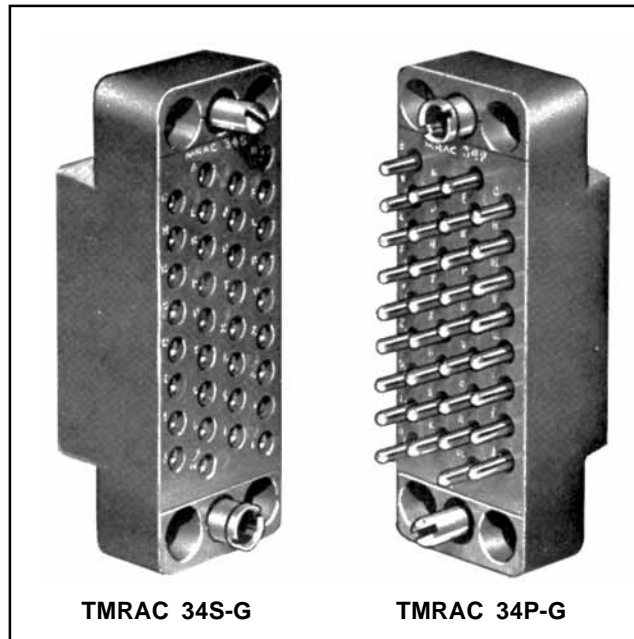


**Note:** 1. Contacts are ordered separately. See 100 Series contact section of Rack & Panel

# Rack & Panel

## TMRAC Series™

### Heavy Duty, Industrial and Commercial, Miniature Rectangular Rack & Panel Connectors, Removable Contacts



Removable contacts offer a substantial savings of time, labor and a great flexibility in the choice of circuitry. The contact is easily removed with the hand tool depicted and then placed by hand or with a simple insertion tool.

The TMRAC Series was designed specifically for the industrial/commercial customer for application in high temperature, rough service operations. This series features the same military-type anodized aluminum hoods, rugged polyester thermoplastic insulators, screw-machine removable contacts, guide and hardware as the MRAC Series.

## SPECIFICATIONS

<b>Insulators:</b>	Polyester thermoplastic, black color. High potential performance: withstanding voltage is one minute electrification at 2000 VAC (sea level).	<b>Contacts:</b>	Must be ordered separately. Select from crimp, solder, dip solder, shielded or Wire-Wrap termination contacts. See 100 Series contact section.
<b>Insulation Resistance:</b>	500V	<b>Contact Identification:</b>	Standard contact identification is alphabetical.
<b>Thermal Shock:</b>	-55°F to +150°F	<b>Sizes:</b>	.040" diameter and .062" diameter contacts in 7.5-amp and 13-amp current ratings.
<b>Hoods:</b>	Anodized aluminum. May be applied on plug or receptacle. Both top and side opening hoods available.	<b>Termination Types:</b>	Crimp, dip-solder, solder removable in .040" and .062" diameter. Wire Wrap tails and stabilizing bushings for .025" and .045" square.
<b>Polarization:</b>	Gold plated guides provide positive polarization. Polarized nickel-plated brass and/or passivated stainless steel jackscrews with anodized aluminum knobs are available.	<b>Current Rating:</b>	7.5 amps maximum for .040" contacts. 13 amps maximum for .062" contacts.
<b>Number of Contacts:</b>	Eight size connectors: 9-, 14-, 18-, 20-, 26-, 34-, 42- and 50-contact, available in either .040" or .062" diameter.		

CSA Certified File No.  LR34182  
Recognized under the Component Program  
of Underwriters Laboratories Inc. File No. E31650 

Winchester

62 Barnes Industrial Road North, Wallingford, Connecticut 06492 Phone:(203)741-5400 Fax:(203)741-5500 www.winchesterelectronics.com



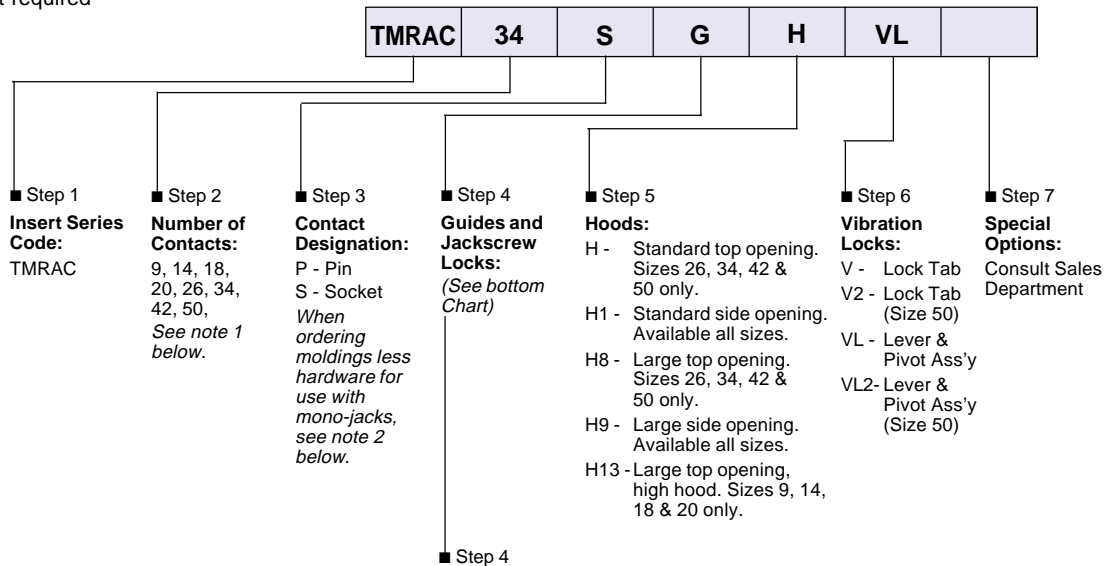
# Rack & Panel

## TMRAC Series™

# Heavy Duty, Industrial and Commercial, Miniature Rectangular Rack & Panel Connectors, Removable Contacts

### ORDERING INFORMATION

Omit steps not required



#### Guides

- G\* Phosphor Bronze Cylindrical Guides
- K Beryllium Copper Cylindrical Guides
- N\* Brass Cylindrical Guides
- "P" indicates two guide pins or two jackscrews (EX. JTCP)
- "S" indicates two guide sockets or two jackscrews (EX. GS)
- \* For passivated stainless steel add SS suffix.

#### Jackscrew Locks

- \*\*\*J Polarized Fixed Jackscrew and Jacksocket
- JT Polarized Short Turning Jackscrew and Jacksocket
- JTC Polarized Long Turning Jackscrew and Jacksocket
- \*\*\*JTD Polarized Long Turning Mono-Jackscrew and Mono-Jacksocket for Sizes 34, 42, and 50 only.

- \*\*JZ Same as J but with 6-32 mtg. thd.
- \*\*JTW Same as JT but with knurled round knob with internal hex
- \*\*JTU Same as JT but with knurled round knob with screwdriver slot
- \*\*JTX Same as JT but with hex knob
- \*\*JTCW Same as JTC but with knurled round knob with internal hex
- \*\*JTCU Same as JTC but with knurled round knob with screwdriver slot
- \*\*JTCX Same as JTC but with hex knob
- \*\*JTCZ Same as JTC but with prybar knob

\*\* Request availability information.

\*\*\* Material: Nickel Plated Brass standard

- Notes:** 1. Contacts are ordered separately. See 100 Series contact section of Rack & Panel  
2. When ordering hoods, hardware and connectors separately for use with JTD Monojacks, connectors must be ordered as follows:

Pin connector = TMRAC34P8, TMRAC42P8, etc.

Socket connector = TMRAC34S8, TMRAC42S8, etc.

The number "8" indicates special housing for use with the JTD Monojack hardware (available on sizes 34, 42, and 50).

### DIMENSIONS

All dimensions for TMRAC housings are the same as MRAC housings. All hoods, hardware, and accessories used on the TMRAC Series are the same as those used on the MRAC Series. See MRAC Series section for part numbers and dimensions. Note the TMRAC Series maximum number of contacts is 50.

Winchester

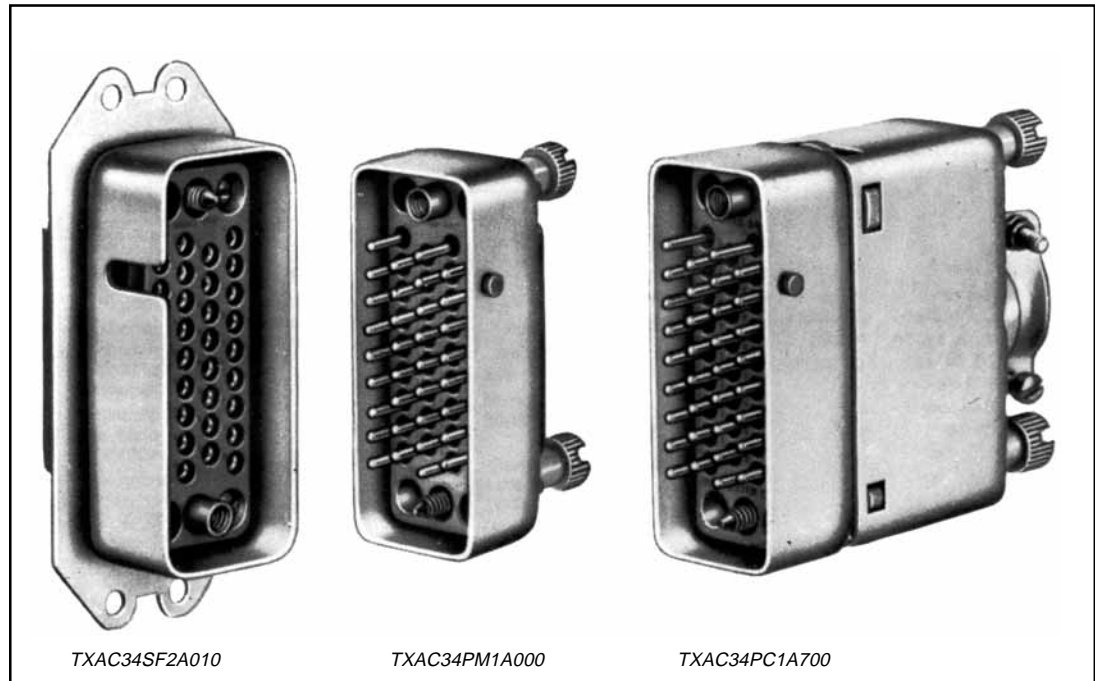
62 Barnes Industrial Road North, Wallingford, Connecticut 06492 Phone:(203)741-5400 Fax:(203)741-5500 www.winchesterelectronics.com



# Rack & Panel

## TXAC Series™

## Heavy Duty, Industrial and Commercial, External Miniature Rectangular Rack & Panel Connectors, Removable Contacts



The TXAC Series was designed for external installation specifically for the industrial/commercial customer in high temperature, rough service applications. This series features the same military-type anodized aluminum hoods, rugged polyester thermo-

plastic insulators, screw-machine removable contacts, guide and jack hardware, and protective, anodized aluminum shells as the XAC Series. These features make this Series suitable for chassis mounting, bulkheads, or any outside surface equipment.

### SPECIFICATIONS

<b>Insulators:</b>	Polyester thermoplastic, green color. High potential performance: withstanding voltage is one minute electrification at 2000 VAC (sea level).	<b>Contact Identification:</b>	Standard contact identification is alphabetical.
<b>Insulation Resistance:</b>	500V	<b>Sizes:</b>	.040" diameter and .062" diameter contacts in 7.5-amp and 13-amp current ratings.
<b>Thermal Shock:</b>	-55°F to +150°F	<b>Contact Resistance:</b>	@ 7.5 amps, 14 millivolts max. @ 13 amps, 10 millivolts max.
<b>Hoods:</b>	Anodized aluminum. May be applied on plug or receptacle. Both top and side opening hoods available.	<b>Termination Types:</b>	Crimp, dip-solder, solder removable in .040" and .062" diameter. Wire Wrap tails and stabilizing bushings for .025" and .045" square.
<b>Polarization:</b>	Gold Plated guides provide positive polarization. Polarized nickel-plated brass and/or passivated stainless steel with anodized aluminum knobs are available. 7-position pin and slot polarization on shells.	<b>Current Rating:</b>	7.5 amps maximum for .040" contacts. 13 amps maximum for .062" contacts.
<b>Number of Contacts:</b>	Eight size connectors: 9-, 14-, 18-, 20-, 26-, 34-, 42- and 50-contact, available in either .040" or .062" diameter.		
<b>Contacts:</b>	Must be ordered separately. Select from crimp, solder, dip solder, shielded or Wire-Wrap termination contacts. See 100 Series contact section.		

CSA Certified File No.  LR34182  
Recognized under the Component Program  
of Underwriters Laboratories Inc. File No. E31650 

Winchester

62 Barnes Industrial Road North, Wallingford, Connecticut 06492 Phone:(203)741-5400 Fax:(203)741-5500 www.winchesterelectronics.com

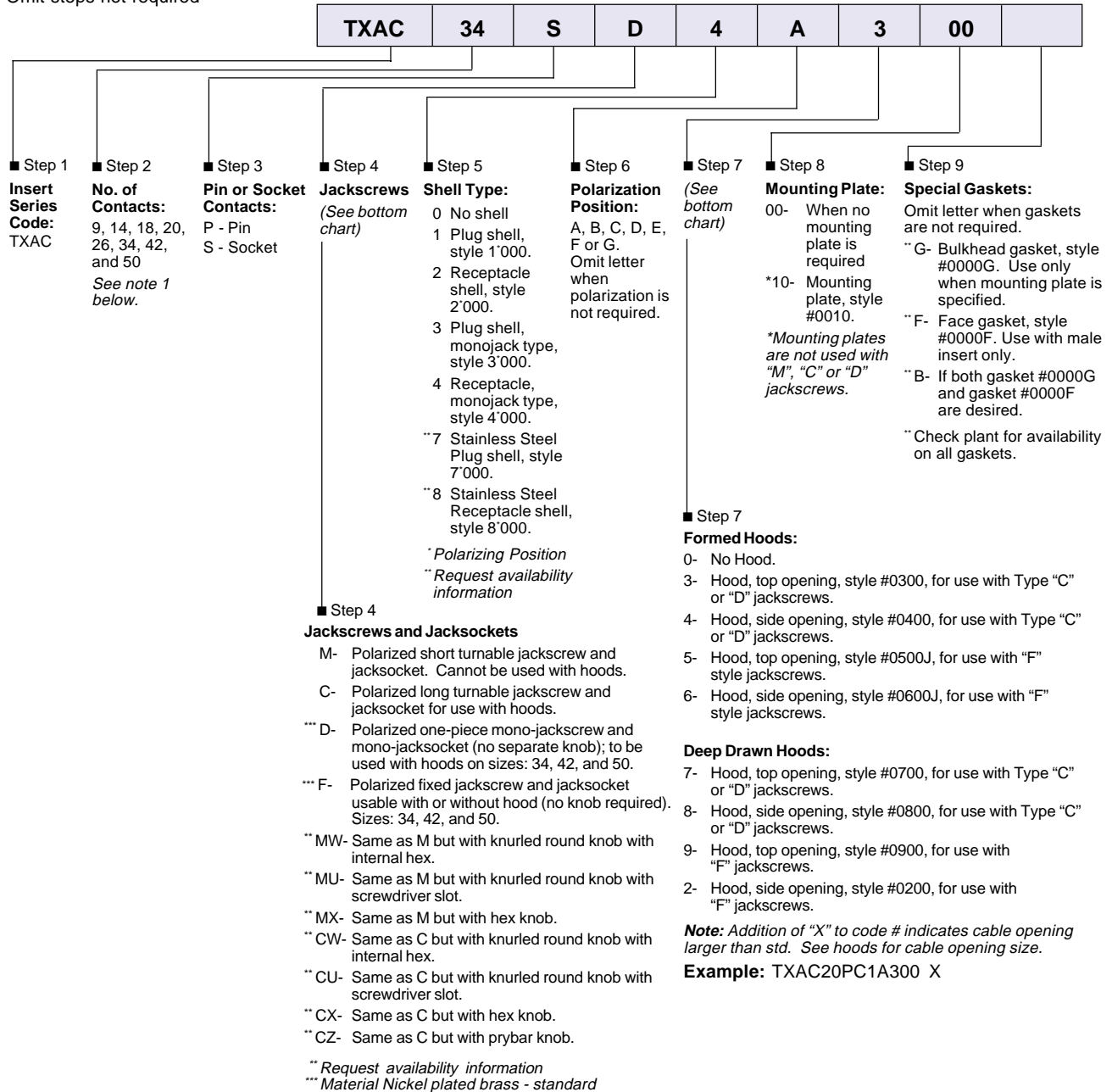
# Rack & Panel

## TXAC Series™

# Heavy Duty, Industrial and Commercial, External Miniature Rectangular Rack & Panel Connectors, Removable Contacts

### ORDERING INFORMATION

Omit steps not required



- Step 7
- Formed Hoods:**
- 0- No Hood.
  - 3- Hood, top opening, style #0300, for use with Type "C" or "D" jackscrews.
  - 4- Hood, side opening, style #0400, for use with Type "C" or "D" jackscrews.
  - 5- Hood, top opening, style #0500J, for use with "F" style jackscrews.
  - 6- Hood, side opening, style #0600J, for use with "F" style jackscrews.
- Deep Drawn Hoods:**
- 7- Hood, top opening, style #0700, for use with Type "C" or "D" jackscrews.
  - 8- Hood, side opening, style #0800, for use with Type "C" or "D" jackscrews.
  - 9- Hood, top opening, style #0900, for use with "F" jackscrews.
  - 2- Hood, side opening, style #0200, for use with "F" jackscrews.
- Note:** Addition of "X" to code # indicates cable opening larger than std. See hoods for cable opening size.
- Example:** TXAC20PC1A300 X

**Note:** 1. Contacts are ordered separately. See 100 Series contact section of Rack & Panel

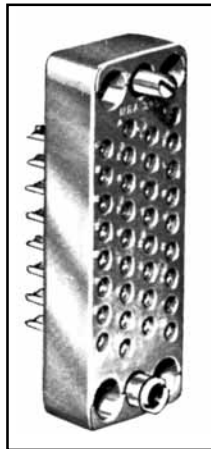
### DIMENSIONS

All dimensions for TXAC housing are the same as MRAC housings. All hoods, shells, hardware, and accessories used on the TXAC Series are the same as those used on the XAC Series. See the XAC Series section for part numbers and dimensions. Note the TXAC Series maximum number of contacts is 50.

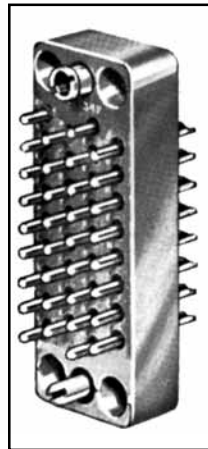
# Rack & Panel

## MRA Series

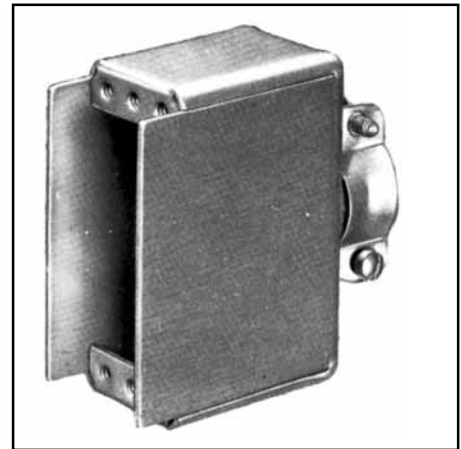
## Miniature Rectangular / #16 Contacts / .062" Dia. / 13 Amps



Receptacle MRA 34S-G



Plug MRA 34P-G



Hood

The MRA Series offers compact, lightweight and self-aligning plugs and receptacles with unusually high current and voltage ratings for their size. Performance tests show them to well exceed military standards. Except for

contact size, the MRA and MRE Series share the same hoods, hardware and accessories.

Right angle, dip solder, pin or socket contacts are available. Consult factory.

Dimensions are for reference only and are subject to change. Outline drawings on request.

## SPECIFICATIONS

**Current Rating:** 13 amps

**Number of contacts:** 9, 14, 20, 34, 41, 42, 50, 50-8, 66, 75, 104

**Pin Contacts:** .062 diameter, gold plated brass

**Socket**

**Contacts:** Phosphor bronze, gold plated

**Terminations:** .070 dia. solder cup is standard. Will accommodate up to #16 AWG stranded wire. Pin and Socket contacts available with .030 diameter dip solder terminations. Consult Sales Dept. for lengths available.

**Electrical Data:** Meets high potential performance of MIL-C-28748. Military versions are QPL'd to M28748/1 and M28748/2. The minimum dielectric withstanding voltage is one minute electrification 1000 VAC, sea level.

**Dielectric:** Gray glass filled diallyl phthalate, per MIL-M-14, SDG-F.

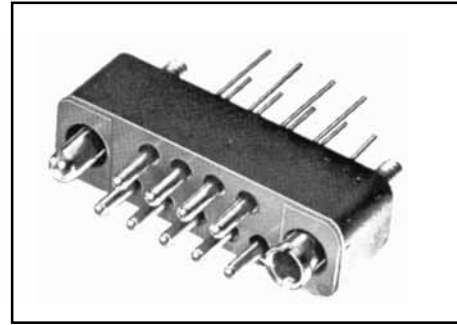
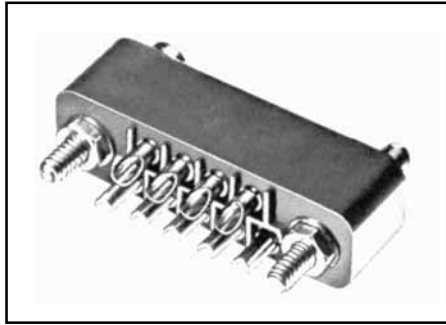
**Polarization:** Gold plated guides provide polarization. Polarized nickel-plated brass and/or passivated stainless steel jackscrews with anodized aluminum knobs are available.

**Hoods:** Anodized aluminum. May be applied to either plug or receptacle. Both top and side opening hoods available.

# Rack & Panel

## MRA Series

## Miniature Rectangular / #16 Contacts / .062" Dia. / 13 Amps



### TERMINATION TYPES

#### Solder Cup





For pin and socket contacts, .070 diameter solder cup is the standard termination for cable and panel mount applications. Wire accommodation: up to #16 AWG stranded.

#### Dip Solder

For pin and socket contacts, .030 diameter dip solder terminations, straight or right angle for mounting to printed circuit board or for use with flexible cable.

### GUIDE SOCKETS

3 Types of Guide Sockets are Available

Guide Socket Code Letter	Application	Actual Size Photo	
G*	The "G" type socket is the standard guide supplied. It has good physical strength and may be used electrically in a low current circuit or as a contact for ground leads.	 G Type For General Use Phosphor	 Standard Guide Pin mates with all types Brass
K	The "K" guide socket is an excellent electrical conductor. Its extra spring-tension provides a high normal force uniformly distributed along the surface of the engaged pilot guide, thus minimizing electrical resistance. The multivolt drop across extreme ends of the engaged pilot and socket guide is 10 mv. at 20 amps.	 K Type For High Electrical Conductivity Beryllium Copper	
N*	The high physical strength of the "N" guide socket allows a greater degree of forcible tightening against a mounting surface than is permitted by the other guide sockets. This feature is particularly desirable for mounting connectors which will be subject to severe vibration in service. "N" guides are not to be used electrically.	 N Type For extra Mechanical Strength Brass	

\* For passivated stainless steel add SS suffix

### PHYSICAL DATA

WEIGHT IN OZ.	NUMBER OF CONTACTS										
	9	14	20	34	41	42	50	50-8	66	75	104
PLUG	.5	.5	.5	1.1	1.2	1.2	1.5	1.5	2.0	2.3	3.1
RECEPTACLE	.4	.4	.4	.8	.9	.9	1.1	1.1	1.5	1.7	2.2

### SPECIAL

MRA-50-8 with 8, 20 amp solder cup contacts and 50, 13 amp solder cup contacts

CONTACTS	CURRENT RATING	PIN DIAMETER	MAX. WIRE SIZE	SOLDER CUP DIA
8	20 amps	.093	#12 AWG	.106 D
.50	13 amps	.062	#16 AWG	.070 D

Winchester

62 Barnes Industrial Road North, Wallingford, Connecticut 06492 Phone:(203)741-5400 Fax:(203)741-5500 www.winchesterelectronics.com

# Rack & Panel

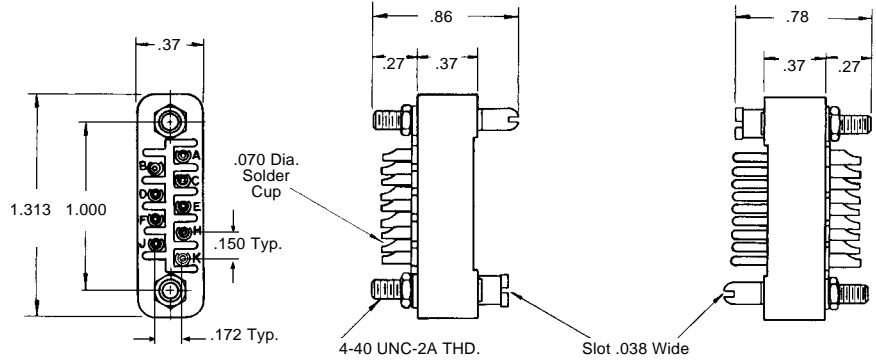
## MRA Series

## Miniature Rectangular / #16 Contacts / .062" Dia. / 13 Amps

### OUTLINE

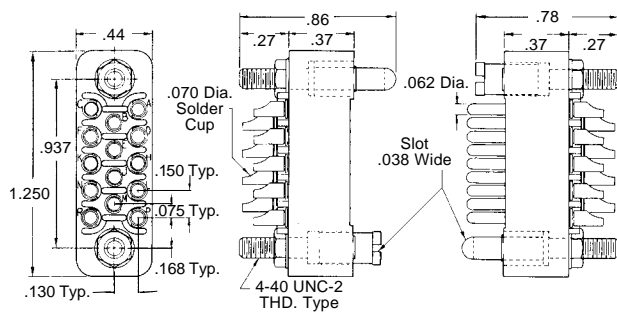
Dimensions are for reference only and are subject to change. Outline drawings on request.

Drawings and corresponding part numbers show G type guide sockets.



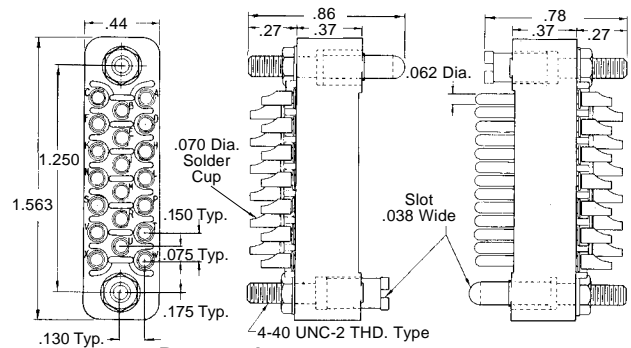
**Receptacle  
MRA 9S-G**

**Plug  
MRA 9P-G**



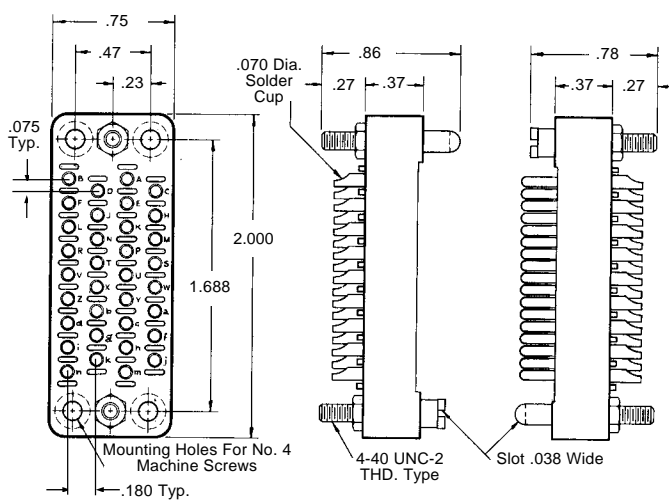
**Receptacle  
MRA 14S-G**

**Plug  
MRA 14P-G**



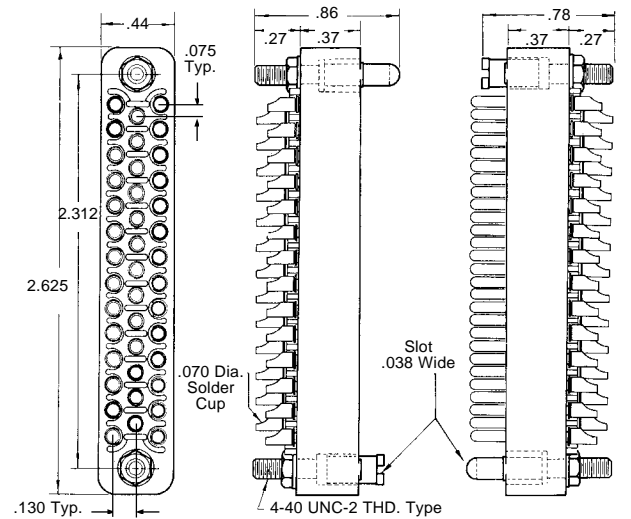
**Receptacle  
MRA 20S-G**

**Plug  
MRA 20P-G**



**Receptacle  
MRA 34S-G**

**Plug  
MRA 34P-G**



**Receptacle  
MRA 41S-G**

**Plug  
MRA 41P-G**

Winchester

62 Barnes Industrial Road North, Wallingford, Connecticut 06492 Phone:(203)741-5400 Fax:(203)741-5500 www.winchesterelectronics.com

# Rack & Panel

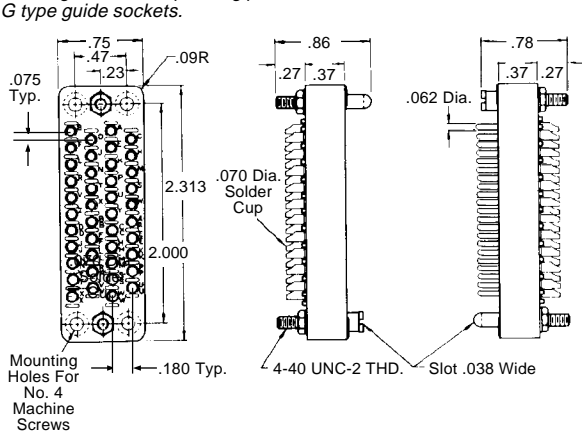
## MRA Series

## Miniature Rectangular / #16 Contacts / .062" Dia. / 13 Amps

### OUTLINE

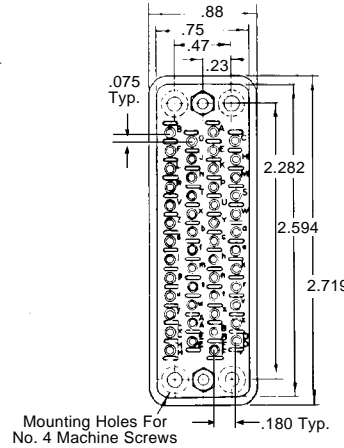
Dimensions are for reference only and are subject to change. Outline drawings on request.

Drawings and corresponding part numbers show G type guide sockets.

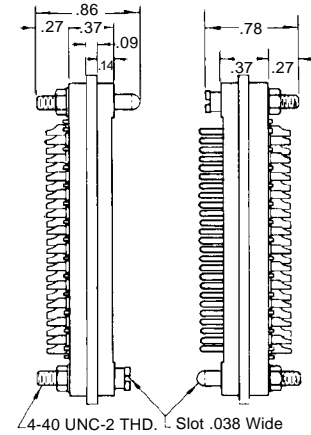


**Receptacle  
MRA 42S-G**

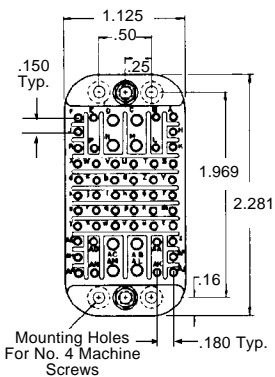
**Plug  
MRA 42P-G**



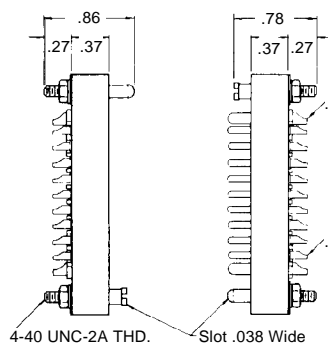
**Receptacle  
MRA 50S-G**



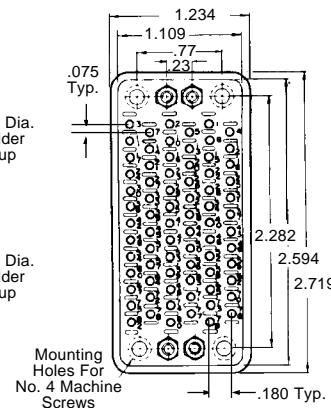
**Plug  
MRA 50P-G**



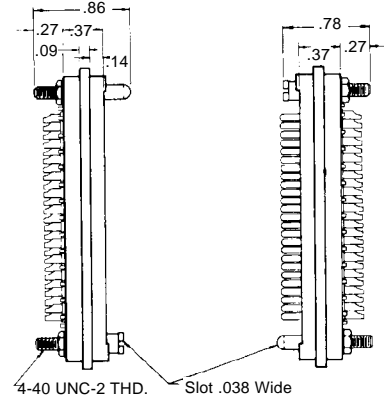
**Receptacle  
MRA 50-8S-G**



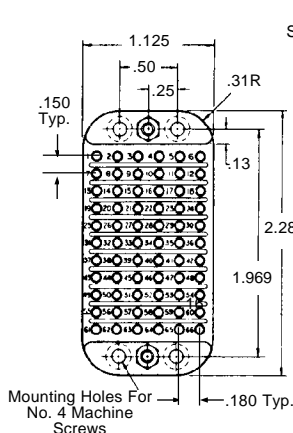
**Plug  
MRA 50-8P-G**



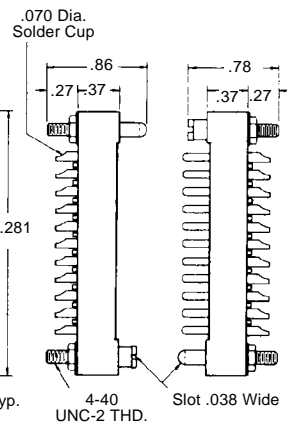
**Receptacle  
MRA 75S-G**



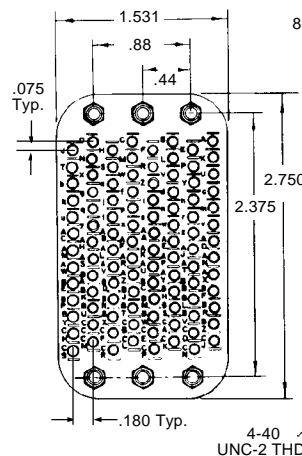
**Plug  
MRA 75P-G**



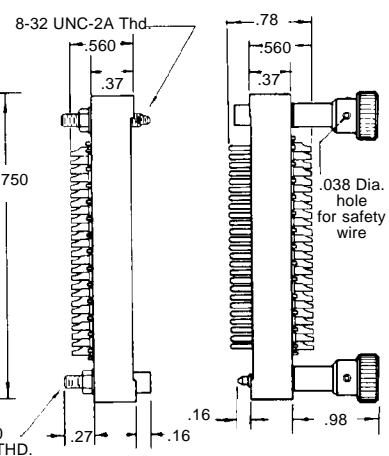
**Receptacle  
MRA 66S-G**



**Plug  
MRA 66P-G**



**Receptacle  
MRA 104S-J**



**Plug  
MRA 104P-JT**

Winchester

62 Barnes Industrial Road North, Wallingford, Connecticut 06492 Phone:(203)741-5400 Fax:(203)741-5500 www.winchesterelectronics.com



# Rack & Panel

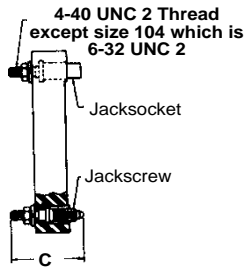
## MRA Series

## Miniature Rectangular / #16 Contacts / .062" Dia. / 13 Amps

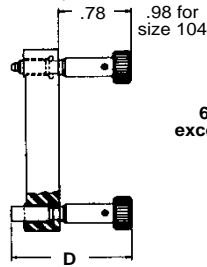
Polarized jackscrews give the ease and assurance of threaded positive coupling. The actuating side consists of two turnable screws, one male and one female, each with knurled and slotted knobs. On the mating half are the two fixed screws required to complete the locking action. When mated, the jackscrews may be locked with a safety wire through the hole in the self-locking pin (in the jackscrew shaft).

The drawings show the extension of the jackscrew knobs beyond a typical MRA connector and beyond the connector-and-hood assembly (center drawings). Dimensions given are constant for all connectors except as noted. Other dimensions applicable to various hood styles are detailed in the chart.

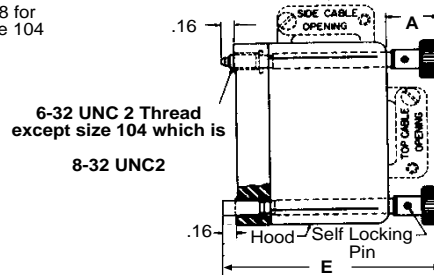
### JACKSCREWS & JACKSOCKETS



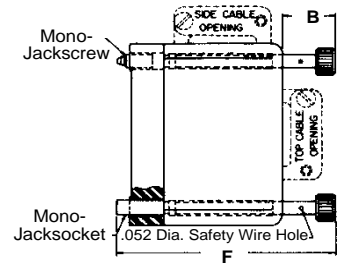
Connector with fixed Jackscrews.  
Code designation: J



Mating connector half with turnable Jackscrews-with-Knobs.  
Code designation: JT



Mating connector half with Hood and turnable Long Jackscrews-with-Knobs. Code designation: JTCH, JTCH1



Mating connector half with Hood and turnable Monojacks.  
Code designation: JTDH, JTDH1

### DIMENSIONS

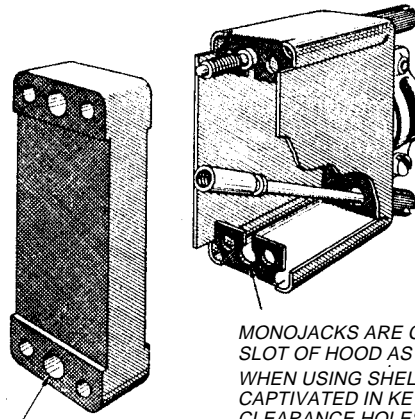
Dimensions are for reference only and are subject to change. Outline drawings on request.

Connector Size	Dimension A				Dimension B				Dimen C	Dimen D	Dimension E				Dimension F			
	H	H1	H8	H9	H	H1	H8	H9			H	H1	H8	H9	H	H1	H8	H9
MRA 9	—	.59	.58	.59	—	—	—	—	.80	1.31	—	2.41	2.09	2.41	—	—	—	—
MRA 14	—	.59	.58	.59	—	—	—	—	.80	1.31	—	2.41	1.84	2.41	—	—	—	—
MRA 20	—	.59	.58	.59	—	—	—	—	.80	1.31	—	2.41	1.84	2.41	—	—	—	—
MRA 34	.63	.63	.63	.63	.63	.63	.63	.63	.80	1.31	2.41	2.41	2.41	2.41	2.41	2.41	2.41	2.41
MRA 41	.63	.63	—	—	—	—	—	—	.80	1.31	2.41	2.41	—	—	—	—	—	—
MRA 42	.58	.58	.58	.58	.58	.58	.58	.58	.80	1.31	2.41	2.41	2.41	2.41	2.41	2.41	2.41	2.41
MRA 50	.58	.58	.58	.58	.58	.58	.58	.58	.80	1.31	2.41	2.41	2.41	2.41	2.41	2.41	2.41	2.41
MRA 50-8	.77	—	—	.70	.50	—	—	.50	.80	1.31	2.47	—	—	2.41	2.19	—	—	2.19
MRA 66	.77	—	—	.70	.50	—	—	.50	.80	1.31	2.47	—	—	2.41	2.19	—	—	2.19
MRA 75	.56	.56	.56	.56	.56	.56	.56	.56	.80	1.31	2.41	2.41	2.41	2.41	2.41	2.41	2.41	2.41
MRA 104	.67	—	—	.67	.50	—	—	.50	.80	1.52	3.42	—	—	3.42	3.25	—	—	3.25

### New Monojacks Assemble and Disassemble With Remarkable Ease and Speed

To free the connector from the hood, simply remove four screws. Monojacks may be used on miniature rectangular connectors with from

34 to 104 contacts, molds have 2 center thru holes and 4 mounting holes.



MONOJACKS ARE CAPTIVATED IN KEYHOLE SLOT OF HOOD AS SHOWN ABOVE. WHEN USING SHELLS, MONOJACKS ARE CAPTIVATED IN KEYHOLE OF SHELL AND CLEARANCE HOLES ARE PLACED IN HOODS.

MOLDINGS HAVE STRAIGHT THRU HOLES

Winchester.

62 Barnes Industrial Road North, Wallingford, Connecticut 06492 Phone:(203)741-5400 Fax:(203)741-5500 www.winchesterelectronics.com



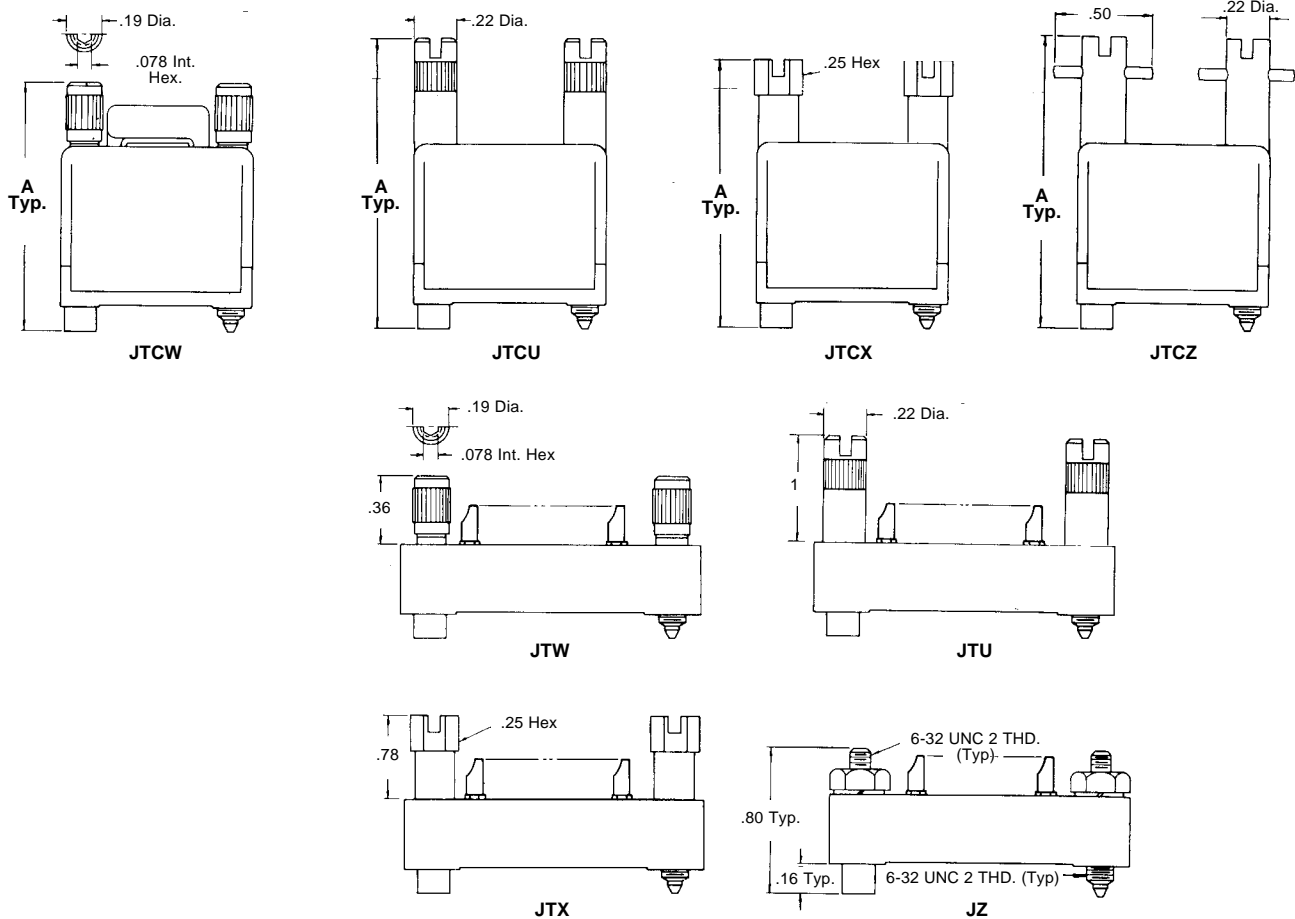
# Rack & Panel

## MRA Series

## Miniature Rectangular / #16 Contacts / .062" Dia. / 13 Amps

### OUTLINE JACKSCREWS & JACKSOCKETS

Dimensions are for reference only and are subject to change. Outline drawings on request.



### DIMENSIONS

All jackscrews and sockets are stainless steel, passivated, except J & JTD which are nickel-plated brass. All knobs are aluminum, anodized except JTW and JTCW which are stainless steel, passivated.

#### Hood Type

Size	Type JTCW				Size	Type JTCU				Size	Type JTCX				Size	Type JTCZ			
	H	H1	H8	H9		H	H1	H8	H9		H	H1	H8	H9		H	H1	H8	H9
Dimension A				Dimension A				Dimension A				Dimension A							
9	-	2.22	1.91	2.22	9	-	2.47	2.16	2.47	9	-	2.34	2.03	2.34	9	-	2.47	2.16	2.47
14	-	2.22	1.66	2.22	14	-	2.47	1.91	2.47	14	-	2.34	1.78	2.34	14	-	2.47	1.91	2.47
20	-	2.22	1.66	2.22	20	-	2.47	1.91	2.47	20	-	2.34	1.78	2.34	20	-	2.47	1.91	2.47
34	2.22	2.22	2.22	2.22	34	2.47	2.47	2.47	2.47	34	2.34	2.34	2.34	2.34	34	2.47	2.47	2.47	2.47
41	2.22	2.22	-	-	41	2.47	2.47	-	-	41	2.34	2.34	-	-	41	2.47	2.47	-	-
42	2.22	2.22	2.22	2.22	42	2.47	2.47	2.47	2.47	42	2.34	2.34	2.34	2.34	42	2.47	2.47	2.47	2.47
50	2.22	2.22	2.22	2.22	50	2.47	2.47	2.47	2.47	50	2.34	2.34	2.34	2.34	50	2.47	2.47	2.47	2.47
50-8	2.22	-	-	2.22	50-8	2.47	-	-	2.47	50-8	2.34	-	-	2.34	50-8	2.47	-	-	2.47
66	2.22	-	-	2.22	66	2.47	-	-	2.47	66	2.34	-	-	2.34	66	2.47	-	-	2.47
75	2.22	2.22	2.22	2.22	75	2.47	2.47	2.47	2.47	75	2.34	2.34	2.34	2.34	75	2.47	2.47	2.47	2.47

Winchester

62 Barnes Industrial Road North, Wallingford, Connecticut 06492 Phone:(203)741-5400 Fax:(203)741-5500 www.winchesterelectronics.com

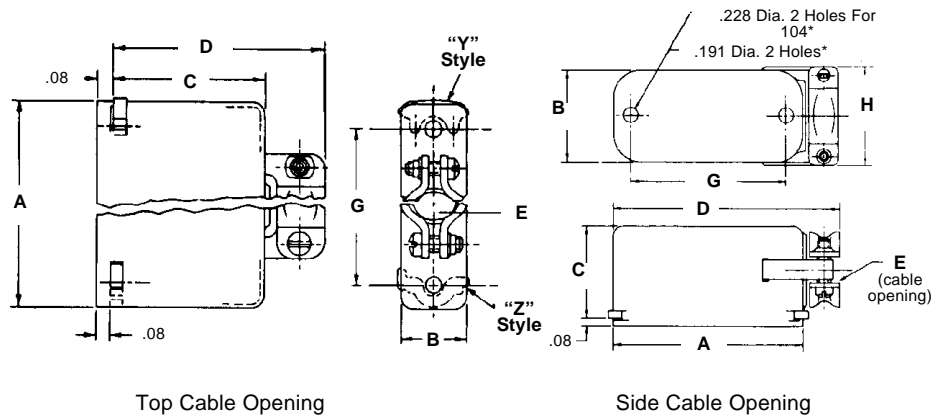
# Rack & Panel

## MRA Series

## Miniature Rectangular / #16 Contacts / .062" Dia. / 13 Amps

### OUTLINE HOODS - DRAWN ALUMINUM

Dimensions are for reference only and are subject to change. Outline drawings on request.

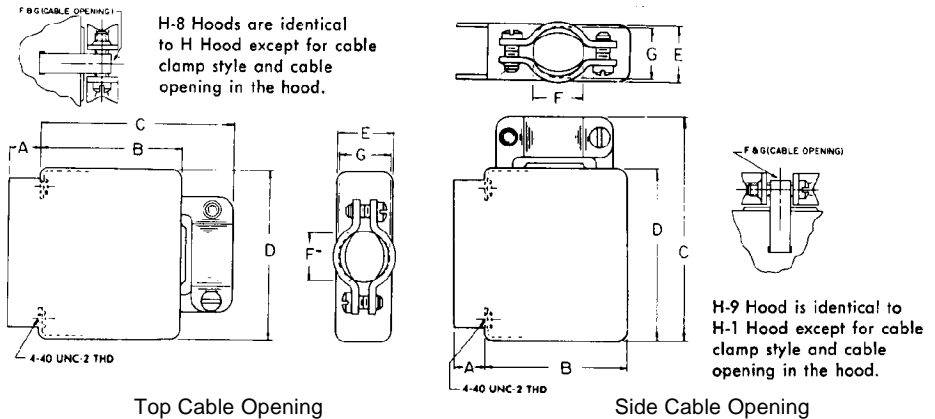


### DIMENSIONS

Catalog No.	DIMENSIONS - TOP OPENING							Wt. Oz.	Fits Connector	Style	Catalog No.	DIMENSIONS - SIDE OPENING							Wt. Oz.	Fits Connector	Style
	A	B	C	D	E	F	G					A	B	C	D	E	H	G			
MRA 34H-491	2.09	.84	1.17	1.59	.66 x .75	-	1.688	.6	MRA 34P MRA 34S	"Z"	MRA 34H9-491	2.09	.84	1.17	1.59	.64 x .75	1.06	1.688	.6	MRA 34P MRA 34S	"Z"
MRA 50-8H	2.38	1.22	1.17	1.69	1.03D	-	1.969	.8	MRA 50-8P MRA 50-8S	"Y"	MRA 50-8H9	2.38	1.22	1.17	2.92	.84D	1.34	1.969	.8	MRA 50-8P MRA 50-8S	"Y"
MRA 66H	2.38	1.22	1.17	1.69	1.03	-	1.969	.8	MRA 66P MRA 66S	"Y"	MRA 66H9	2.38	1.22	1.17	2.92	.84D	1.34	1.969	.8	MRA 66P MRA 66S	"Y"
MRA 104H	2.84	1.63	2.23	2.75	1.19D	-	2.375	1.0	MRA 104P MRA 104S	"Y"	MRA 104H9	2.84	1.63	2.23	3.39	1.19D	1.63	2.375	1.0	MRA 104P MRA 104S	"Y"

### OUTLINE HOODS - FORMED ALUMINUM

MRE Series hoods for use with MRA Series connectors



### DIMENSIONS

#### H and H-8 Cable Clamps (Top Opening)

Code No.	Dimensions					Cable Opening		Wt. Oz.	Fits Connector
	A	B	C	D	E	F	G		
MRE 9H*	.28	1	1.31	1.31	.44	.31D	-	.3	MRA 9 (P or S)
MRE 9H-8	.28	1	1.30	1.31	.44	.31	.59	.3	MRA 9 (P or S)
MRE 14H*	.28	.75	1.19	1.25	.5	.44D	-	.3	MRA 14 (P or S)
MRE 14H-8	.28	.75	1.05	1.25	.5	.38	.59	.3	MRA 14 (P or S)
MRE 20H*	.25	.75	1.19	1.56	.5	.44D	-	.3	MRA 20 (P or S)
MRE 20H-8	.25	.75	1.05	1.56	.5	.38	.66	.3	MRA 20 (P or S)
MRE 34H	.28	1.25	1.67	2	.83	.66D	-	.6	MRA 34 (P or S)
MRE 34H-8	.28	1.25	1.75	2	.83	1.06	.56	.6	MRA 34 (P or S)
MRE 41H	.28	1.25	1.67	2.63	.5	.66	.44	.6	MRA 41 (P or S)
MRE 42H	.09	1.30	1.72	2.31	.83	.63D	-	.7	MRA 42 (P or S)
MRE 42H-8	.09	1.30	1.80	2.31	.83	1.06	.56	.7	MRA 42 (P or S)
MRE 50H	.09	1.30	1.72	2.59	.83	.63D	-	.8	MRA 50 (P or S)
MRE 50H-8	.09	1.30	1.80	2.59	.83	1.06	.56	.8	MRA 50 (P or S)
MRE 75H	.09	1.31	1.73	2.59	1.19	.63	.88	1.0	MRA 75 (P or S)
MRE 75H-8	.09	1.31	1.86	2.59	1.19	1	.88D	1.0	MRA 75 (P or S)

\* H Hoods for MRA 9, 14, and 20 will not accept JTC hardware. Use H8 hoods.

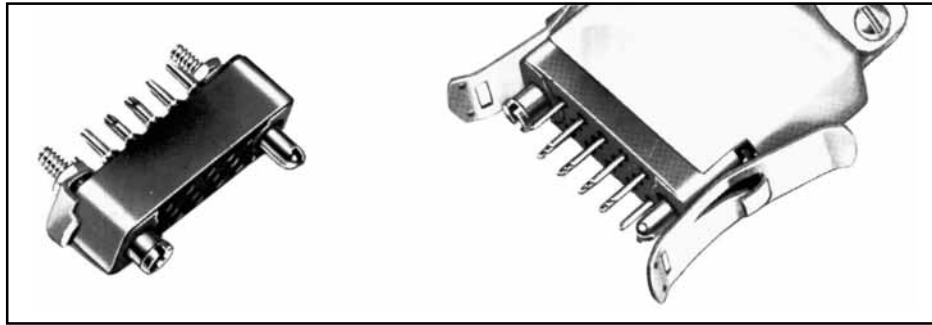
#### H-1 and H-9 Cable Clamps (Side Opening)

Code No.	Dimensions					Cable Opening		Wt. Oz.	Fits Connector
	A	B	C	D	E	F	G		
MRE 9H-1	.28	1.28	1.63	1.31	.44	.31D	-	.3	MRA 9 (P or S)
MRE 9H-9	.28	1.28	1.61	1.31	.44	.59	.31	.3	MRA 9 (P or S)
MRE 14H-1	.28	1.28	1.69	1.25	.5	.38D	-	.3	MRA 14 (P or S)
MRE 14H-9	.28	1.28	1.55	1.25	.5	.59	.38	.3	MRA 14 (P or S)
MRE 20H-1	.28	1.28	2	1.56	.5	.38D	-	.3	MRA 20 (P or S)
MRE 20H-9	.28	1.28	1.86	1.56	.5	.66	.38	.3	MRA 20 (P or S)
MRE 34H-1	.28	1.25	2.42	2	.83	.66D	-	.6	MRA 34 (P or S)
MRE 34H-9	.28	1.25	-	2	.83	.81	.56	.6	MRA 34 (P or S)
MRE 41H-1	.28	1.25	3.06	2.63	.5	.66	.44	.6	MRA 41 (P or S)
MRE 42H-1	.09	1.30	2.73	2.31	.83	.63	.5	.7	MRA 42 (P or S)
MRE 42H-9	.09	1.30	-	2.31	.83	.84	.56	.7	MRA 42 (P or S)
MRE 50H-1	.09	1.30	3.02	2.59	.83	.63	.5	.8	MRA 50 (P or S)
MRE 50H-9	.09	1.30	-	2.59	.83	1.06	.56	.8	MRA 50 (P or S)
MRE 75H-1	.09	1.31	3.02	2.59	1.19	.63	.88	1.0	MRA 75 (P or S)
MRE 75H-9	.09	1.31	-	2.59	1.19	1	.88	1.0	MRA 75 (P or S)

# Rack & Panel

## MRA Series

## Miniature Rectangular / #16 Contacts / .062" Dia. / 13 Amps



Lock Tabs (MRE-V shown)

Lever & Pivot Assemblies (MRE-VL shown)

### HOODS - LOCKING

Lever & Pilot Assembly	Lock Tabs (See Note)	Used on Connectors
MRE-VL	MRE-V	MRA 9, 14, 20, 34, 41, 42, 66
MRE-VL2	MRE-V2	MRA 50,75

### Vibration Locks\*

Vibration locks offer simplicity of design and positive locking in excess of 50G shock impact and 10G vibration acceleration. Mating halves automatically lock when engaged. To unlock, depress the levers. Drilled holes in the levers

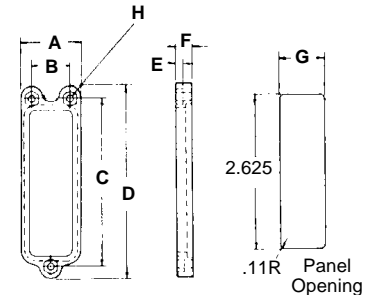
are provided for safety wiring. Vibration locks are available separately for assembly on connectors now in service. Each code number indicates two units: two levers with two pivots, and two lock tabs.

\*US Patent Number 2760174

Note: When panel mounting the lock-tab half of a MRA 34, MRA 42 or MRA 50 and MRA 66 connector, flat washers (.033 minimum thickness) should be used on the mounting screws to shim the moulding away from the panel.

### DIMENSIONS / OUTLINE MOUNTING BRACKETS

Code No.	DIMENSIONS							Wt. Oz.	
	A	B	C	D	E	F	G		
MRE 50B	1.06	.688	3.031	3.44	.13	.28	.72	.128 Dia 3 Holes (No. 4 Mounting Screw)	.4
MRE 75B	1.48	1.047	3.062	3.56	.14	.30	1.14	.150 Dia 3 Holes (No. 6 Mounting Screw)	.6



MRA 50 and MRA 75 connectors use the standard MRE 50 and MRE 75 mounting brackets

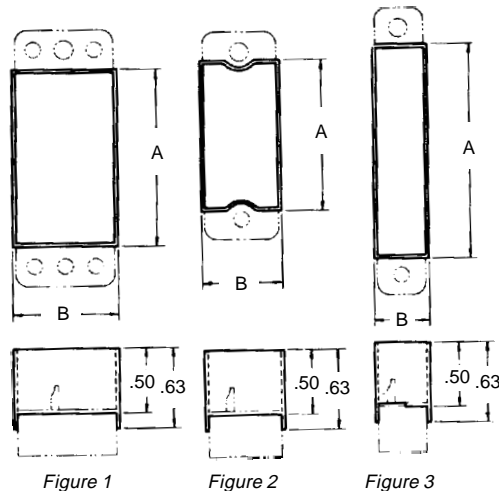
### DIMENSIONS / OUTLINE PRE-SHAPED NYLON POTTING FORMS

Dimensions are for reference only and are subject to change. Outline drawings on request.

Each form matches the back opening contour of its appropriate shell, and stays easily in place during the potting operation. Of negligible weight, it need not be removed from the

connector after potting. Because of floating contacts, connector halves should always be engaged during the potting operation to preserve contact alignment.

Potting Form Code No.	Fig.	Dimensions	
		A	B
MRA 9 FM	3	.77	.43
MRA 14 FM	2	.93	.49
MRA 20 FM	2	1.12	.49
MRA 26 FM	2	1.18	.61
MRA 34 FM	1	1.38	.80
MRA 41 FM	2	2.18	.49
MRA 42 FM	1	1.69	.80
MRA 50 FM	1	1.97	.80
MRA 75 FM	1	1.98	1.16



Winchester.

62 Barnes Industrial Road North, Wallingford, Connecticut 06492 Phone:(203)741-5400 Fax:(203)741-5500 www.winchesterelectronics.com

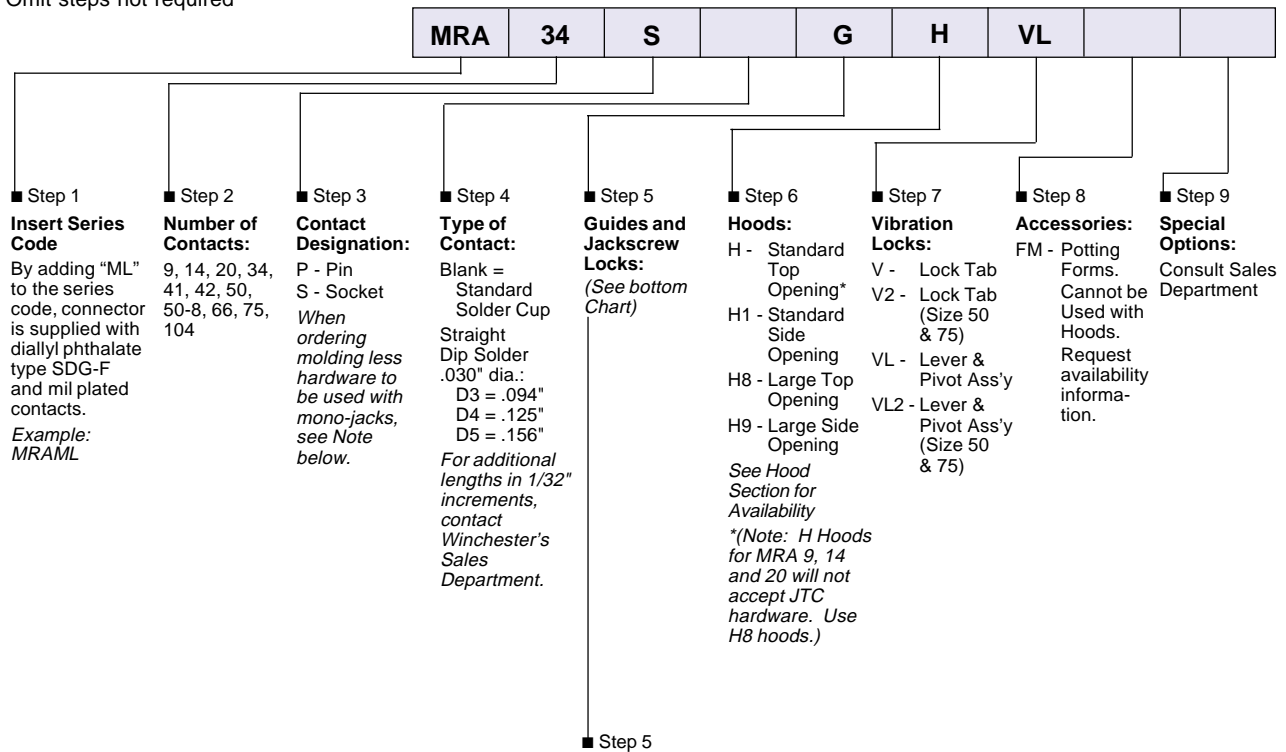
# Rack & Panel

## MRA Series

## Miniature Rectangular / #16 Contacts / .0262" Dia. / 13 Amps

### ORDERING INFORMATION

Omit steps not required



#### Guides

- \*G Phosphor Bronze Cylindrical Guides\*
- K Beryllium Copper Cylindrical Guides
- \*N Brass Cylindrical Guides\*

Guides are not recommended for Size 104

"P" indicates two guide pins or two jackscrews (EX. JTCP)

"S" indicates two guide sockets or two jacksockets. (Ex. GS)

#### Jackscrew Locks

- \*\*\* J Polarized Fixed Jackscrew and Jacksocket
- JT Polarized Short Turning Jackscrew and Jacksocket
- JTC Polarized Long Turning Jackscrew and Jacksocket
- \*\*\* JTD Polarized Long Turning Mono-Jackscrew and Mono-Jacksocket for Sizes 34, 42, 50, 66, 75, and 104 only.

\*\* JZ Same as J but with 6-32 mtg. thd. (Std. on 104)

\*\* JTW Same as JT but with knurled round knob with internal hex (not avail. 104)

\*\* JTV Same as JT but with knurled round knob with screwdriver slot (not avail. 104)

\*\* JTX Same as JT but with hex knob (not avail. 104)

\*\* JTCW Same as JTC but with knurled round knob with internal hex (not avail. 104)

\*\* JTCU Same as JTC but with knurled round knob with screwdriver slot (not avail. 104)

\*\* JTCX Same as JTC but with hex knob (not avail. 104)

\*\* JTCZ Same as JTC but with prybar knob (not avail. 104)

\*\* Request availability information.

\*\*\* Material: Nickel-plated brass - standard.

\* For passivated stainless steel add SS suffix. (Example: MRA34SGSS)

*Mounting Note: Connectors MRA 9, MRA 14, MRA 20 and MRA41 use guides or fixed jacks for mounting in a hood or on a panel. Connectors MRA 34, MRA 42, MRA 50, MRA 66, MRA 75 use four #4 machine screws, and MRA 104 uses four #6 machine screws for mounting in a hood or on a panel. Guides are not recommended for use with MRA 104.*

**Note:** When ordering hoods, hardware and connectors separately for use with JTD Monojacks, connectors must be ordered as follows:

Pin connector = MRA34P8, MRA42P8, etc.

Socket connector = MRA34S8, MRA42S8, etc.

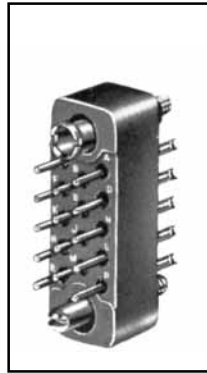
The number "8" indicates special housing for use with the JTD Monojack hardware (available on sizes 34, 42, 50, 66, 75 and 104).

Winchester

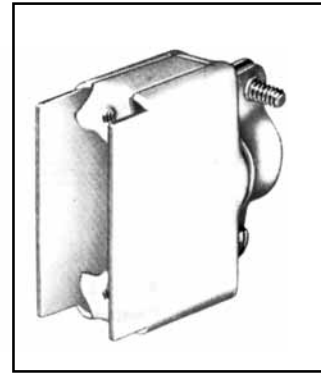
62 Barnes Industrial Road North, Wallingford, Connecticut 06492 Phone:(203)741-5400 Fax:(203)741-5500 www.winchesterelectronics.com



Receptacle MRE 14S-G



Plug MRE 14P-G



Hood MRE 14H

MRE Series plugs and receptacles are the accepted standard for rectangular-shaped, miniature, internal-type connectors. They embody all of the features expected of true miniaturization: maximum utility of space, extremely lightweight and unusually high

working voltage and current ratings. Their long life and trouble-free service continue to make them highly popular for use in aircraft, instrumentation and portable equipment. The MRE and MRA series share the same hoods, hardware and accessories.

## SPECIFICATIONS

**Current Rating:** 7.5 amps

**No. of Contacts:** 7, 8, 9, 11, 14, 18, 20, 21, 26, 34, 41, 42, 50, 75, 104

**Pin Contacts:** .040 dia., gold plated brass

**Socket Contacts:** Phosphor bronze plated gold.

**Termination Types:** .048 dia. solder cup is standard. It will accept up to #20 AWG stranded wire. Pin and Socket Contacts available with dip solder terminations, .025 Dia. Check Sales Dept. for lengths available.

**Electrical Data:** Meets high potential performance requirements of MIL-C-28748. Military versions are QPL'd to M28748/5 and M28748/6. The dielectric withstanding voltage is one minute at 1200

volts.

**Dielectric:** Brown mineral filled diallyl phthalate. Also available in gray glass filled diallyl phthalate, per MIL-M-14, SDG-F.

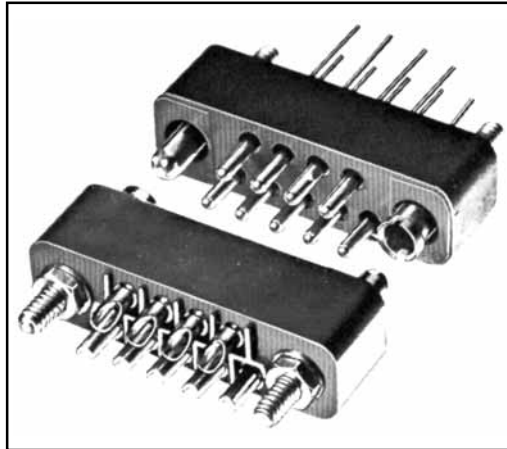
**Polarization:** Gold plated guides provide positive polarization. Polarized nickel-plated brass and/or passivated stainless steel jackscrews with anodized aluminum knobs are available.

**Hoods:** Anodized aluminum. May be applied to either plug or receptacle. Both top and side openings are available.

# Rack & Panel

## MRE Series

## Miniature Rectangular / #20 Contacts / .040" Dia. / 7.5 Amps



### TERMINATION TYPES

#### Solder Cup





.048 diameter solder cup is the standard termination for cable and panel mounting applications. It will accept up to #20 AWG stranded wire.

#### Dip Solder

For mounting on printed circuit boards, .025 diameter straight dip solder terminations (for Pin Contacts and Socket Contacts) are available. Consult the Sales Department for available lengths.

### GUIDE SOCKETS

3 Types of Guide Sockets are Available

Guide Socket Code Letter	Application	Actual Size Photo	
<b>G*</b>	The "G" type socket is the standard guide supplied. It has good physical strength and may be used electrically in a low current circuit or as a contact for ground leads.	 G Type For General Use Phosphor	
<b>K</b>	The "K" guide socket is an excellent electrical conductor. Its extra spring-tension provides a high normal force uniformly distributed along the surface of the engaged pilot guide, thus minimizing electrical resistance. The multivolt drop across extreme ends of the engaged pilot and socket guide is 10 mv. at 20 amps.	 K Type For High Electrical Conductivity Beryllium Copper	 Standard Guide Pin mates with all types Brass
<b>N*</b>	The high physical strength of the "N" guide socket allows a greater degree of forcible tightening against a mounting surface than is permitted by the other guide sockets. This feature is particularly desirable for mounting connectors which will be subject to severe vibration in service. "N" guides are not to be used electrically.	 N Type For extra Mechanical Strength Brass	

\* For passivated stainless steel add SS suffix

### PHYSICAL DATA

**HOW TO ORDER:** To obtain "K" or "N" guides in place of the standard "G" type, substitute the desired socket style code letter ("K" or "N") for "G" in both the Plug and Receptacle Code Numbers. (See Code Numbers in table at right.)

Total No. of Contacts	Plug		Recept.		Weight Oz.		Total No. of Contacts	Plug		Recept.		Weight Oz.	
	Winchester Electronics Code No.	Winchester Electronics Code No.	No. Standard Contacts, 7.5 Amps (.048 dia. solder cup for #20 AWG)	No. Standard Contacts, 10 Amps (.052 dia. solder cup for #18 AWG)	Plug	Rec.		Winchester Electronics Code No.	Winchester Electronics Code No.	No. Standard Contacts, 7.5 Amps (.048 dia. solder cup for #20 AWG)	No. Standard Contacts, 10 Amps (.052 dia. solder cup for #18 AWG)	Plug	Rec.
7	MRE 7P-G	MRE 7S-G	7	none	.3	.3	26	MRE 26P-G	MRE 26S-G	26	none	.6	.5
8	MRE 8P-N	MRE 8S-N	8	none	.2	.2	34	MRE 34P-G	MRE 34S-G	34	none	.8	.7
9	MRE 9P-G	MRE 9S-G	9	none	.3	.3	41	MRE 41P-G	MRE 41S-G	41	none	.8	.6
11	MRE 11 P-G	MRE 11S-G	11	none	.3	.3	42	MRE 42P-G	MRE 42S-G	42	none	.9	.8
14	MRE 14P-G	MRE 14S-G	14	none	.3	.3	50	MRE 50P-G	MRE 50S-G	50	none	1.0	.9
18	MRE 18P-G	MRE 18S-G	18	none	.4	.4	75	MRE 75 P-G	MRE 75S-G	75	none	1.5	1.3
20	MRE 20P-G	MRE 20S-G	20	none	.5	.4	104	MRE 104P-JT	MRE 104S-G	104	none	3.3	2.2
21	MRE 21P-G	MRE 21S-G	21	none	.5	.5							

Winchester

62 Barnes Industrial Road North, Wallingford, Connecticut 06492 Phone:(203)741-5400 Fax:(203)741-5500 www.winchesterelectronics.com

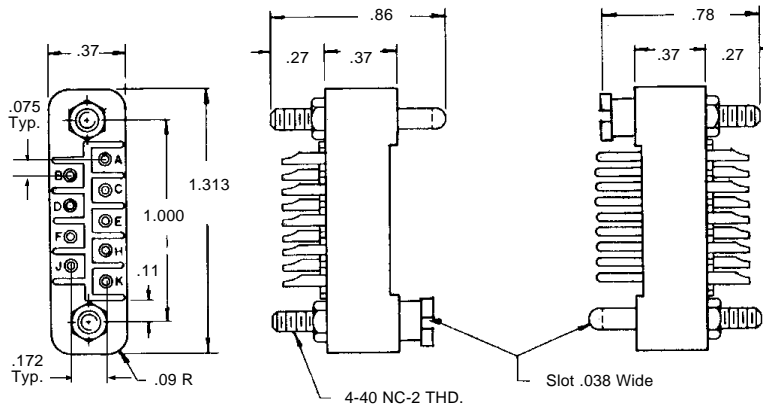
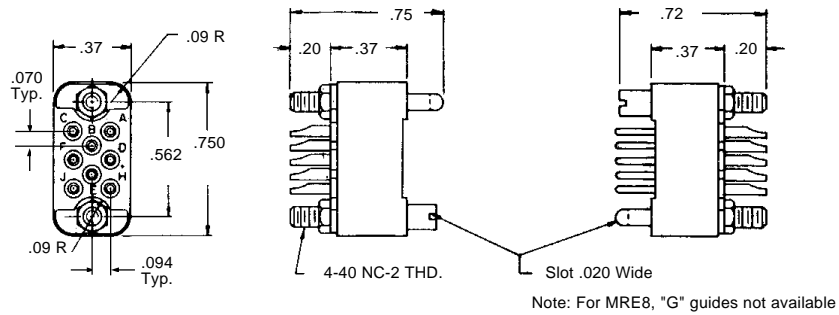
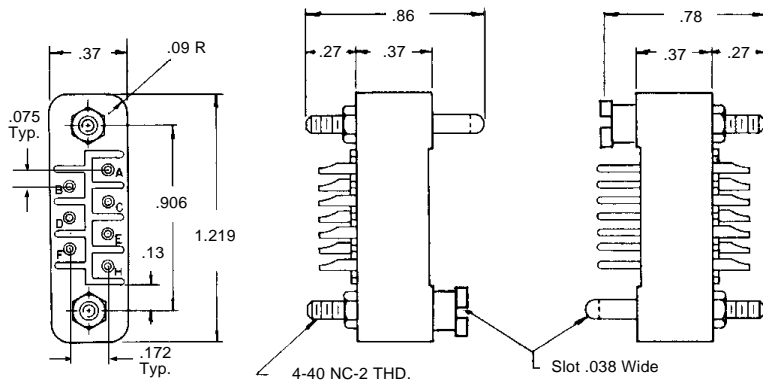
# Rack & Panel

## MRE Series

## Miniature Rectangular / #20 Contacts / .040" Dia. / 7.5 Amps

### OUTLINE

Dimensions are for reference only and are subject to change. Outline drawings on request.



Winchester.

62 Barnes Industrial Road North, Wallingford, Connecticut 06492 Phone:(203)741-5400 Fax:(203)741-5500 www.winchesterelectronics.com



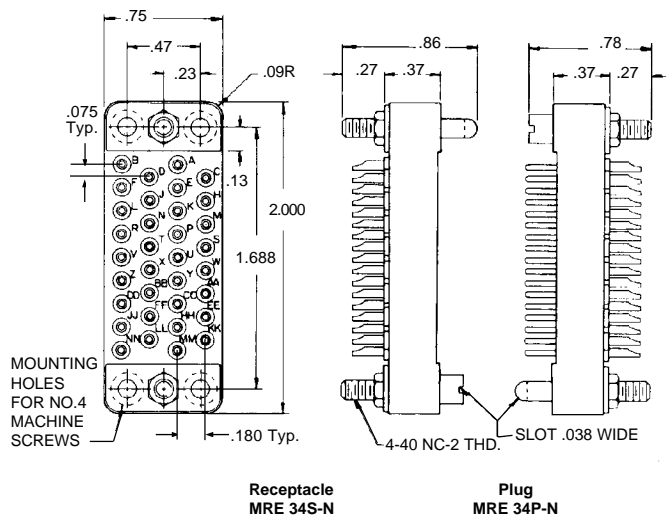
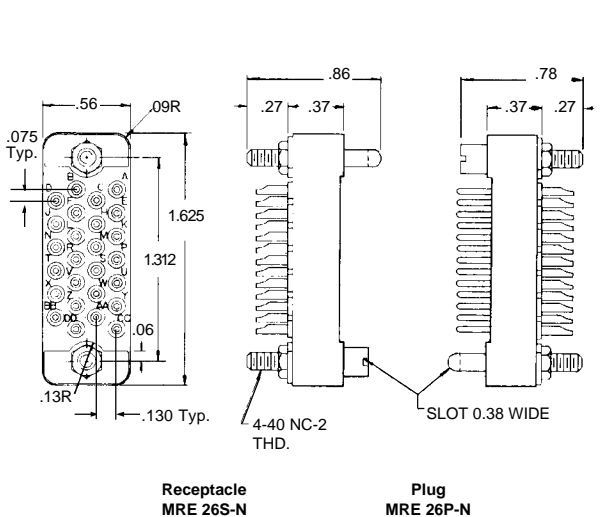
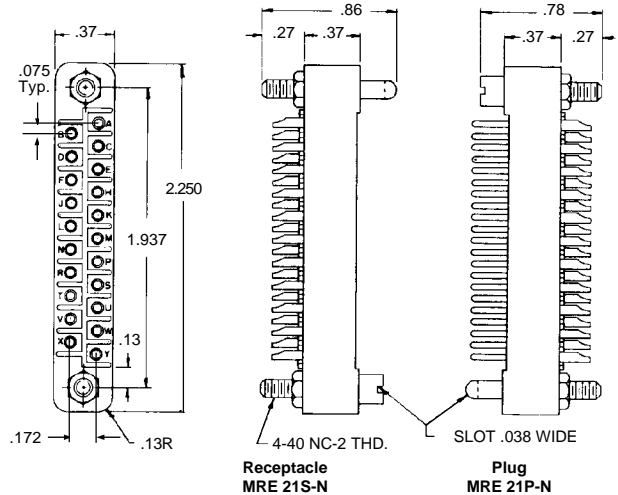
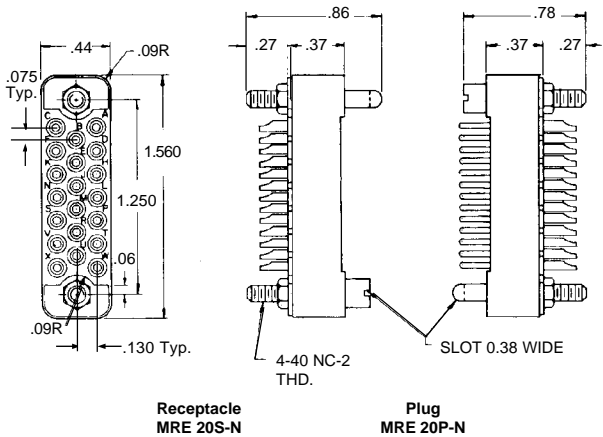
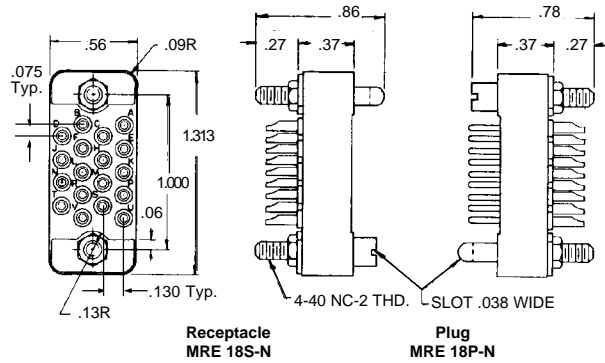
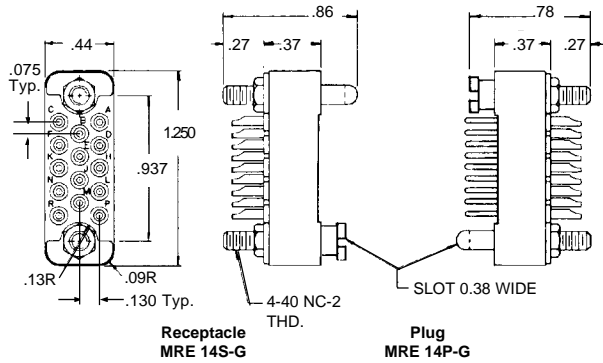
# Rack & Panel

## MRE Series

## Miniature Rectangular / #20 Contacts / .040" Dia. / 7.5 Amps

### OUTLINE

Dimensions are for reference only and are subject to change. Outline drawings on request.



Winchester

62 Barnes Industrial Road North, Wallingford, Connecticut 06492 Phone:(203)741-5400 Fax:(203)741-5500 www.winchesterelectronics.com

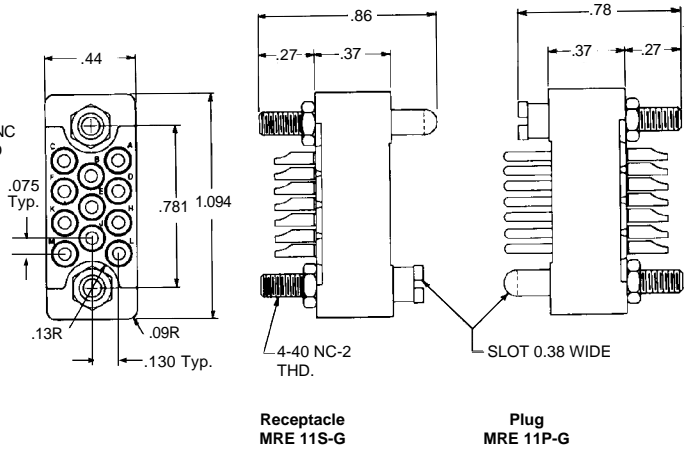
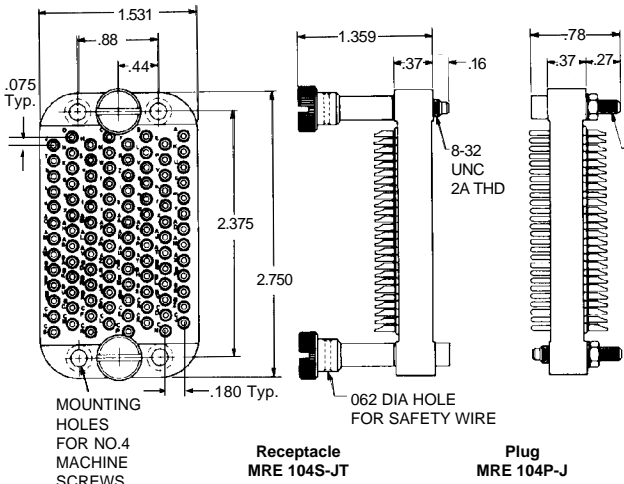
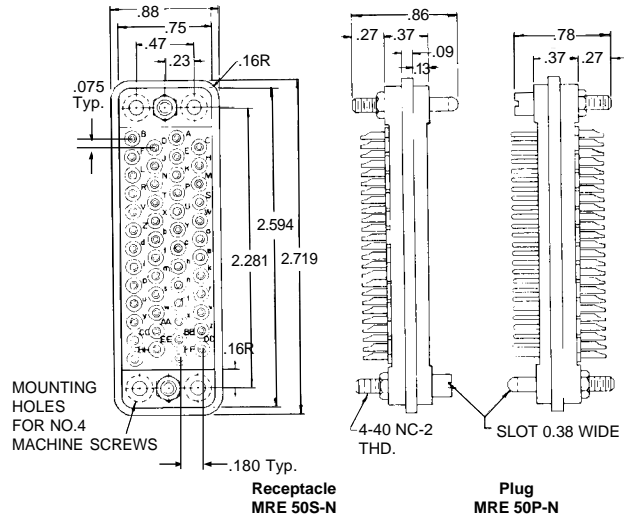
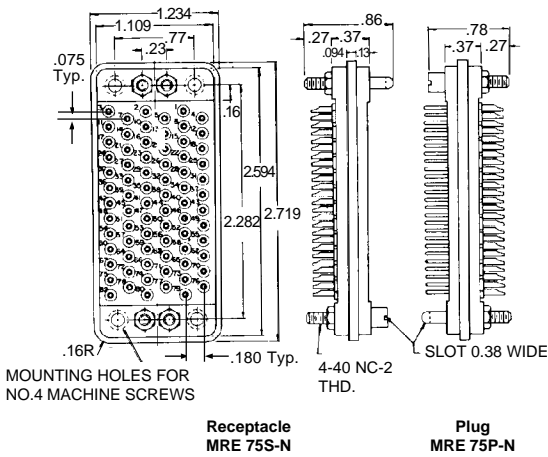
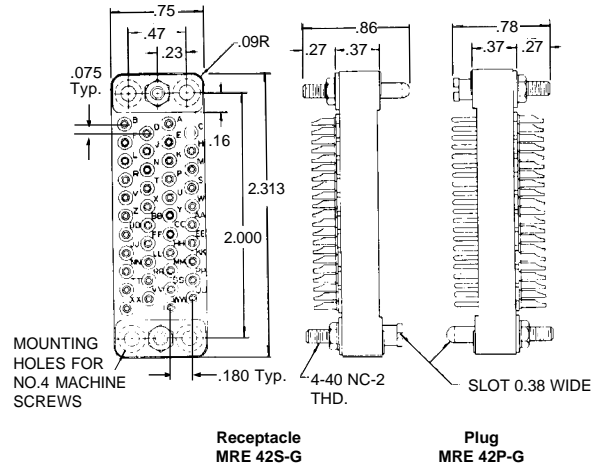
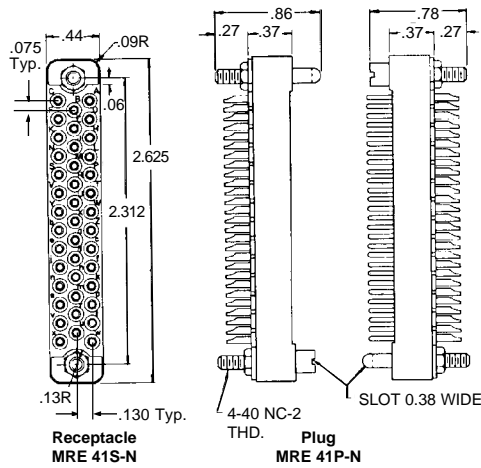
# Rack & Panel

## MRE Series

## Miniature Rectangular / #20 Contacts / .040" Dia. / 7.5 Amps

### OUTLINE

Dimensions are for reference only and are subject to change. Outline drawings on request.



Winchester

62 Barnes Industrial Road North, Wallingford, Connecticut 06492 Phone:(203)741-5400 Fax:(203)741-5500 www.winchesterelectronics.com

# Rack & Panel

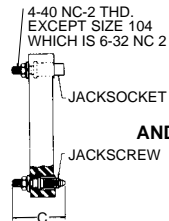
## MRE Series

## Miniature Rectangular / #20 Contacts / .040" Dia. / 7.5 Amps

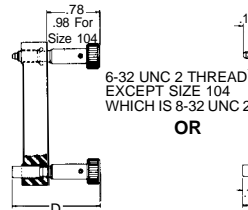
Polarized jackscrews give the ease and assurance of threaded positive coupling. The actuating side consists of two turnable screws, one male and one female, each with knurled and slotted knobs. On the mating half are the two fixed screws required to complete the locking action. When mated, the jackscrews may be locked with a safety wire through the hole in the self-locking pin (in the jackscrew shaft).

The drawings show the extension of the jackscrew knobs beyond a typical MRA connector and beyond the connector-and-hood assembly (center drawings). Dimensions given are constant for all connectors except as noted. Other dimensions applicable to various hood styles are detailed in the chart.

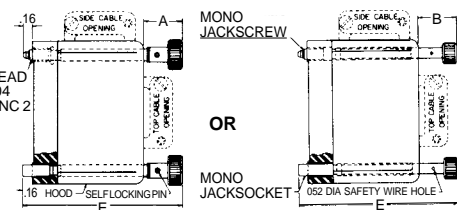
### JACKSCREWS & JACKSOCKETS



Connector with fixed Jackscrews.  
Code designation: J



Mating connector half with turnable Jackscrews-with-Knobs.  
Code designation: JT



Mating connector half with Hood and turnable Long Jackscrews-with Knobs. Code designation: JTCH, JTCH1

Mating connector half with Hood and turnable Monojacks. Code designation: JTDH, JTDH1

### DIMENSIONS

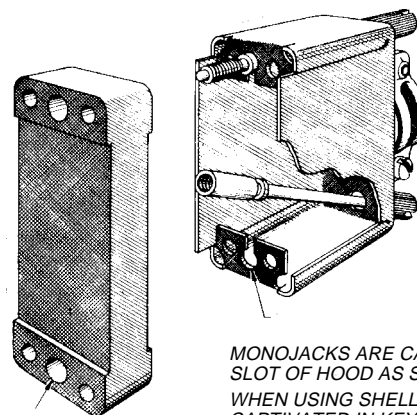
Dimensions are for reference only and are subject to change. Outline drawings on request.

Connector Size	Dimension A				Dimension B				Dimen C	Dimen D	Dimension E				Dimension F			
	H	H1	H8	H9	H	H1	H8	H9			H	H1	H8	H9	H	H1	H8	H9
MRE 7	-	.58	.58	-	-	-	-	-	.80	1.31	-	2.09	2.09	-	-	-	-	
MRE 8	-	.5	.5	.5	-	-	-	-	.80	1.31	-	2.02	2.02	2.02	-	-	-	
MRE 9	-	.59	.58	.59	-	-	-	-	.80	1.31	-	2.41	2.09	2.41	-	-	-	
MRE 14	-	.59	.58	.59	-	-	-	-	.80	1.31	-	2.41	1.84	2.41	-	-	-	
MRE 18	-	.59	.83	.59	-	-	-	-	.80	1.31	-	2.41	2.09	2.41	-	-	-	
MRE 20	-	.59	.58	.59	-	-	-	-	.80	1.31	-	2.41	1.84	2.41	-	-	-	
MRE 21	.67	.59	.67	.59	-	-	-	-	.80	1.31	2.09	2.41	2.09	2.41	-	-	-	
MRE 26	.81	.59	.59	.59	-	-	-	-	.80	1.31	2.61	2.41	2.41	2.41	-	-	-	
MRE 34	.63	.63	.63	.63	.63	.63	.63	.63	.80	1.31	2.41	2.41	2.41	2.41	2.41	2.41	2.41	
MRE 41	.63	.63	-	-	-	-	-	-	.80	1.31	2.41	2.41	-	-	-	-	-	
MRE 42	.58	.58	.58	.58	.58	.58	.58	.58	.80	1.31	2.41	2.41	2.41	2.41	2.41	2.41	2.41	
MRE 50	.58	.58	.58	.58	.58	.58	.58	.58	.80	1.31	2.41	2.41	2.41	2.41	2.41	2.41	2.41	
MRE 75	.56	.56	.56	.56	.56	.56	.56	.56	.80	1.31	2.41	2.41	2.41	2.41	2.41	2.41	2.41	
MRE 104	.67	-	-	.67	.5	-	-	.5	.80	1.52	3.42	-	-	3.42	3.25	-	3.25	

### New Monojacks Assemble and Disassemble With Remarkable Ease and Speed

To free the connector from the hood simply remove four screws. Monojacks may be used on miniature rectangular connectors with from

34 to 104 contacts. Molds have 2 center thru holes and 4 mounting holes.



MOLDINGS HAVE STRAIGHT THRU HOLES

MONOJACKS ARE CAPTIVATED IN KEYHOLE SLOT OF HOOD AS SHOWN ABOVE.  
WHEN USING SHELLS, MONOJACKS ARE CAPTIVATED IN KEYHOLE OF SHELL AND CLEARANCE HOLES ARE PLACED IN HOODS.

Winchester

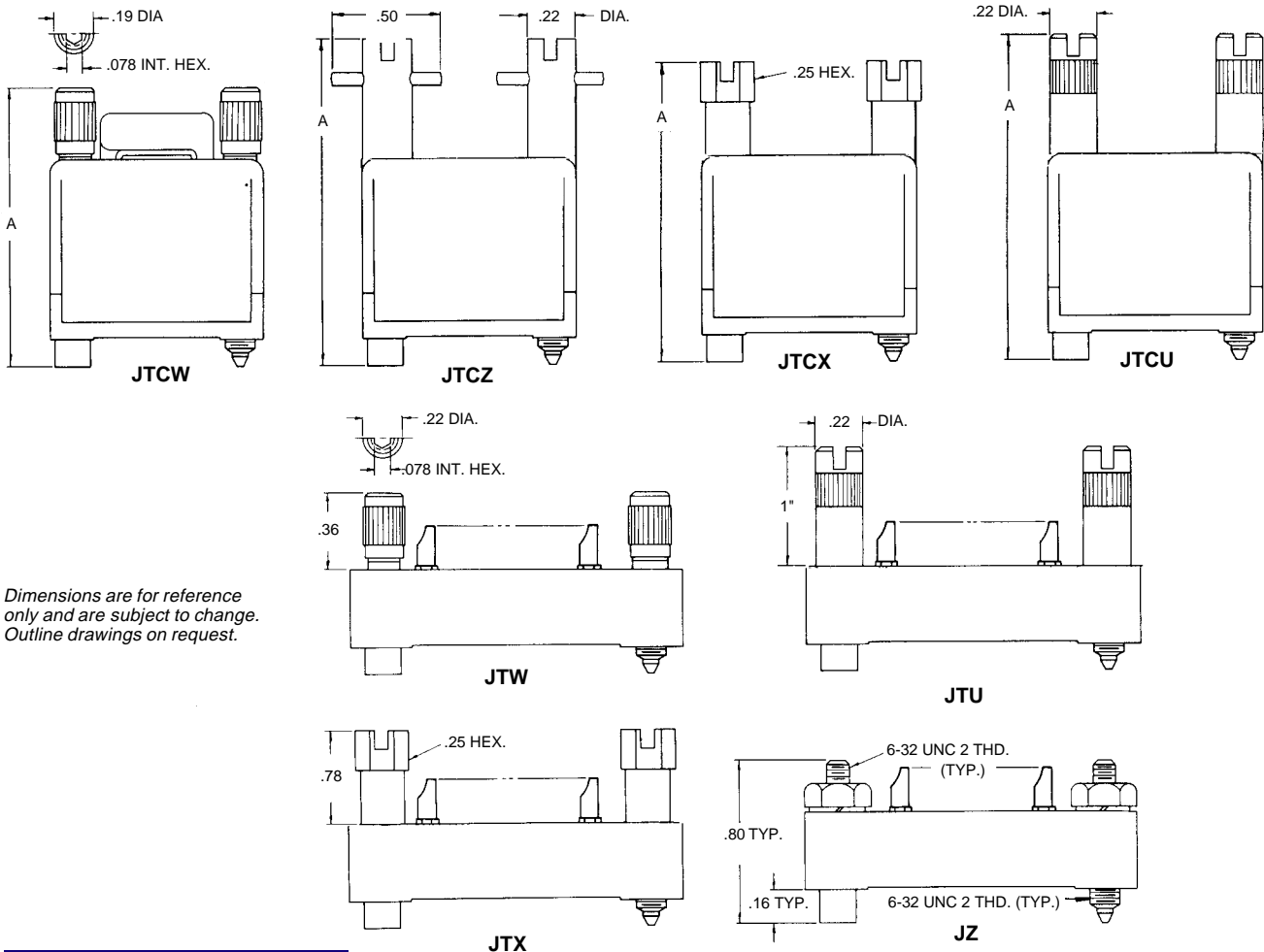
62 Barnes Industrial Road North, Wallingford, Connecticut 06492 Phone:(203)741-5400 Fax:(203)741-5500 www.winchesterelectronics.com

# Rack & Panel

## MRE Series

## Miniature Rectangular / #20 Contacts / .040" Dia. / 7.5 Amps

### OUTLINE JACKSCREWS & JACKSOCKETS



Dimensions are for reference only and are subject to change. Outline drawings on request.

### DIMENSIONS

All jackscREWS and sockets are stainless steel, passivated, except for J & JTD which are nickel-plated brass. All knobs are aluminum, anodized except JTW and JTCW which are stainless steel, passivated.

#### Hood Type

Size	Type JTCW				Size	Type JTCU				Size	Type JTCX				Size	Type JTCZ			
	H	H1	H8	H9		H	H1	H8	H9		H	H1	H8	H9		H	H1	H8	H9
	Dimension A					Dimension A					Dimension A					Dimension A			
7	-	1.91	1.91	-	7	-	2.16	2.16	-	7	-	2.03	2.03	-	7	-	2.16	2.16	-
9	-	2.22	1.91	2.22	9	-	2.47	2.16	2.47	9	-	2.34	2.03	2.34	9	-	2.47	2.16	2.47
14	-	2.22	1.66	2.22	14	-	2.47	1.91	2.47	14	-	2.34	1.78	2.34	14	-	2.47	1.91	2.47
18	-	2.22	1.66	2.22	18	-	2.47	1.91	2.47	18	-	2.34	2.03	2.34	18	-	2.47	2.16	2.47
20	-	2.22	1.66	2.22	20	-	2.47	1.91	2.47	20	-	2.34	1.78	2.34	20	-	2.47	1.91	2.47
21	1.91	2.22	1.91	2.22	21	2.16	2.47	2.16	2.47	21	2.03	2.34	2.03	2.34	21	2.16	2.47	2.16	2.47
26	2.22	2.22	2.22	2.22	26	2.47	2.47	2.47	2.47	26	2.61	2.34	2.34	2.34	26	2.77	2.47	2.47	2.47
34	2.22	2.22	2.22	2.22	34	2.47	2.47	2.47	2.47	34	2.34	2.34	2.34	2.34	34	2.47	2.47	2.47	2.47
41	2.22	2.22	-	-	41	2.47	2.47	-	-	41	2.34	2.34	-	-	41	2.47	2.47	-	-
42	2.22	2.22	2.22	2.22	42	2.47	2.47	2.47	2.47	42	2.34	2.34	2.34	2.34	42	2.47	2.47	2.47	2.47
50	2.22	2.22	2.22	2.22	50	2.47	2.47	2.47	2.47	50	2.34	2.34	2.34	2.34	50	2.47	2.47	2.47	2.47
75	2.22	2.22	2.22	2.22	75	2.47	2.47	2.47	2.47	75	2.34	2.34	2.34	2.34	75	2.47	2.47	2.47	2.47

#### Winchester

62 Barnes Industrial Road North, Wallingford, Connecticut 06492 Phone:(203)741-5400 Fax:(203)741-5500 www.winchesterelectronics.com

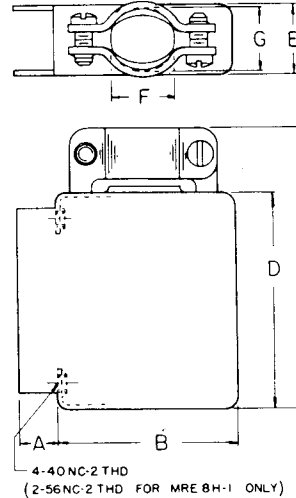
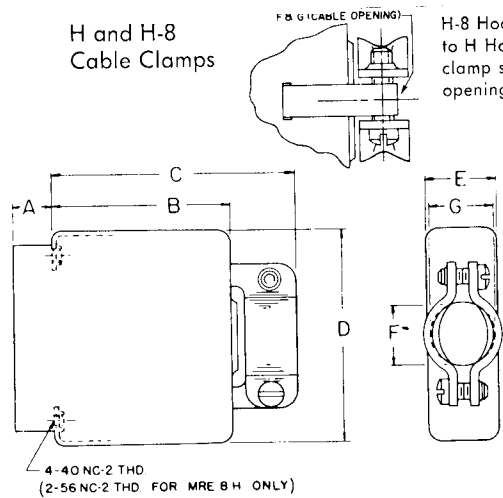
# Rack & Panel

## MRE Series

## Miniature Rectangular / #20 Contacts / .040" Dia. / 7.5 Amps

### OUTLINE HOODS - FORMED ALUMINUM

Dimensions are for reference only and are subject to change. Outline drawings on request.



### DIMENSIONS

#### Top Cable Opening

Code No.	Dimensions					Cable Opening		Wt. Oz.	Fits Connector
	A	B	C	D	E	F	G		
MRE 7H*	.28	1	1.31	1.22	.44	.31D	-	.3	MRE 7 (P or S)
MRE 7H-8	.28	1	1.30	1.22	.44	.59	.31	.3	MRE 7 (P or S)
MRE 8H*	.28	1	1.31	.81	.44	.25D	-	.2	MRE 8 (P or S)
MRE 8H-8	.28	1	1.30	.81	.44	.31D	-	.2	MRE 8 (P or S)
MRE 9H*	.28	1	1.31	1.31	.44	.31D	-	.3	MRE 9 (P or S)
MRE 9H-8	.28	1	1.30	1.31	.44	.59	.31	.3	MRE 9 (P or S)
MRE 14H*	.28	.75	1.19	1.25	.5	.44D	-	.3	MRE 14 (P or S)
MRE 14H-8	.28	.75	1.05	1.25	.5	.59	.38	.3	MRE 14 (P or S)
MRE 18H*	.28	.75	1.19	1.31	.63	.44D	-	.4	MRE 18 (P or S)
MRE 18H-8	.28	.75	1.25	1.31	.63	.63	.44	.4	MRE 18 (P or S)
MRE 20H*	.25	.75	1.19	1.56	.5	.44D	-	.3	MRE 20 (P or S)
MRE 20H-8	.25	.75	1.05	1.56	.5	.66	.38	.3	MRE 20 (P or S)
MRE 21H	.28	.91	1.34	2.25	.44	.59	.31	.5	MRE 21 (P or S)
MRE 21H-8	.28	.91	1.36	2.25	.44	.78	.31	.5	MRE 21 (P or S)
MRE 26H	.28	1.28	1.72	1.63	.64	.59	.38	.4	MRE 26 (P or S)
MRE 26H-8	.28	1.28	1.78	1.63	.64	.78	.44	.4	MRE 26 (P or S)
MRE 34H	.28	1.25	1.69	2	.83	.66D	-	.6	MRE 34 (P or S)
MRE 34H-8	.28	1.25	1.75	2	.83	1.06	.56	.6	MRE 34 (P or S)
MRE 41H	.28	1.25	1.69	2.63	.5	.66	.44	.6	MRE 41 (P or S)
MRE 42H	.09	1.30	1.73	2.31	.83	.63D	-	.7	MRE 42 (P or S)
MRE 42H-8	.09	1.30	1.80	2.31	.83	1.06	.56	.7	MRE 42 (P or S)
MRE 50H	.09	1.30	1.73	2.59	.83	.63D	-	.8	MRE 50 (P or S)
MRE 50H-8	.09	1.30	1.80	2.59	.83	1.06	.56	.8	MRE 50 (P or S)
MRE 75H	.09	1.31	1.75	2.59	1.19	.63	.88	1.0	MRE 75 (P or S)
MRE 75H-8	.09	1.31	1.86	2.59	1.19	1	.88	1.0	MRE 75 (P or S)
MRA104H	FOR DIMENSIONS SEE PAGE RP/36								

\* H Hoods for MRE 7, 8, 9, 14, 18 and 20 will not accept JTC hardware. Use H8 hoods.

#### Side Cable Opening

Code No.	Dimensions					Cable Opening		Wt. Oz.	Fits Connector
	A	B	C	D	E	F	G		
MRE 7H-1	.28	1.28	1.53	1.22	.44	.31D	-	.3	MRE 7 (P or S)
MRE 8H-1	.28	1.28	1.13	.81	.44	.25	-	.2	MRE 8 (P or S)
MRE 8H-9	.28	1.28	1.13	.81	.44	.59	.31	.2	MRE 8 (P or S)
MRE 9H-1	.28	1.28	1.63	1.31	.44	.31D	-	.3	MRE 9 (P or S)
MRE 9H-9	.28	1.28	1.61	1.31	.44	.59	.31	.3	MRE 9 (P or S)
MRE 14H-1	.28	1.28	1.69	1.25	.5	.38D	-	.3	MRE 14 (P or S)
MRE 14H-9	.28	1.28	1.55	1.25	.5	.59	.38	.3	MRE 14 (P or S)
MRE 18H-1	.28	1.28	1.75	1.31	.63	.44D	-	.3	MRE 18 (P or S)
MRE 18H-9	.28	1.28	1.81	1.31	.63	.69	.44	.3	MRE 18 (P or S)
MRE 20H-1	.28	1.28	2	1.56	.5	.38D	-	.3	MRE 20 (P or S)
MRE 20H-9	.28	1.28	1.86	1.56	.5	.66	.38	.3	MRE 20 (P or S)
MRE 21H-1	.28	1.28	2.69	2.25	.44	.53	.25	.5	MRE 21 (P or S)
MRE 21H-9	.28	1.28	2.72	2.25	.44	.78	.31	.5	MRE 21 (P or S)
MRE 26H-1	.28	1.28	2.06	1.63	.64	.59	.38	.4	MRE 26 (P or S)
MRE 26H-9	.28	1.28	2.13	1.63	.64	.78	.44	.4	MRE 26 (P or S)
MRE 34H-1	.28	1.25	2.42	2	.83	.66D	-	.6	MRE 34 (P or S)
MRE 34H-9	.28	1.25	-	2	.83	.81	.56	.6	MRE 34 (P or S)
MRE 41H-1	.28	1.25	3.06	2.63	.5	.66	.44	.6	MRE 41 (P or S)
MRE 42H-1	.09	1.30	2.73	2.31	.83	.63	.5	.7	MRE 42 (P or S)
MRE 42H-9	.09	1.30	-	2.31	.83	.84	.56	.7	MRE 42 (P or S)
MRE 50H-1	.09	1.30	3.02	2.59	.83	.63	.5	.8	MRE 50 (P or S)
MRE 50H-9	.09	1.30	-	2.59	.83	1.06	.56	.8	MRE 50 (P or S)
MRE 75H-1	.09	1.31	3.02	2.59	1.19	.63	.88	1.0	MRE 75 (P or S)
MRE 75H-9	.09	1.31	-	2.59	1.19	1	.88	1.0	MRE 75 (P or S)
MRA104H-9	FOR DIMENSIONS SEE PAGE RP/36								

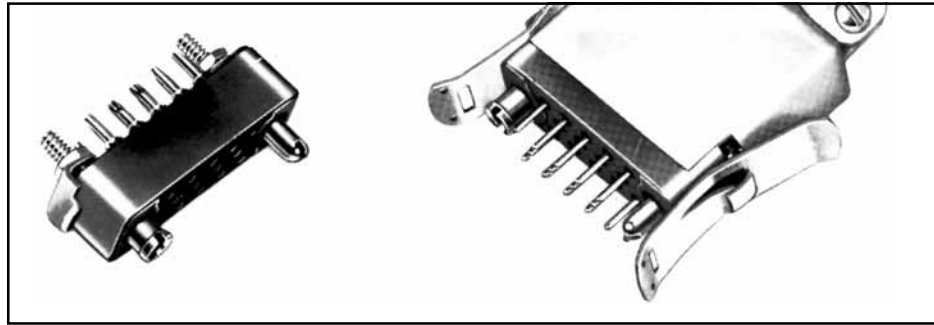
Winchester

62 Barnes Industrial Road North, Wallingford, Connecticut 06492 Phone:(203)741-5400 Fax:(203)741-5500 www.winchesterelectronics.com

# Rack & Panel

## MRE Series

## Miniature Rectangular / #20 Contacts / .040" Dia. / 7.5 Amps



Lock Tabs (MRE-V shown)

Lever & Pivot Assemblies (MRE-VL shown)

### HOODS - LOCKING

Lever & Pilot Assembly	Lock Tabs (See Note)	Used on Connectors
MRE-VL	MRE-V	MRA 9, 14, 20, 34, 41, 42, 66
MRE-VL2	MRE-V2	MRE 50, 75

### Vibration Locks\*

Vibration locks offer simplicity of design and positive locking in excess of 50G shock impact and 10G vibration acceleration. Mating halves automatically lock when engaged. To unlock, depress the levers. Drilled holes in the levers

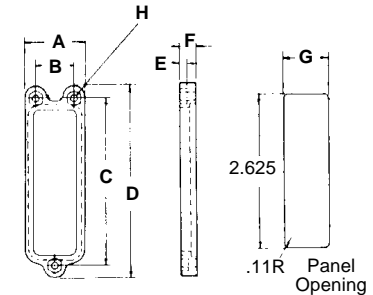
are provided for safety wiring. Vibration locks are available separately for assembly on connectors now in service. Each code number indicates two units: two levers with two pivots, and two lock tabs.

\*US Patent Number 2760174

Note: When panel mounting the lock-tab half of a MRE 34, MRE 42 or MRE 50 and MRE 66 connector, flat washers (.033 minimum thickness) should be used on the mounting screws to shim the molding away from the panel.

### DIMENSIONS / OUTLINE MOUNTING BRACKETS

Code No.	DIMENSIONS							Wt. Oz.	
	A	B	C	D	E	F	G		
MRE 50B	1.06	.688	3.031	3.44	.13	.28	.78	.128 Dia 3 Holes (No. 4 Mounting Screw)	.4
MRE 75B	1.48	1.047	3.062	3.56	.14	.30	1.14	.150 Dia 3 Holes (No. 6 Mounting Screw)	.6



MRE 50 and MRE 75 connectors use the standard MRE 50 and MRE 75 mounting brackets

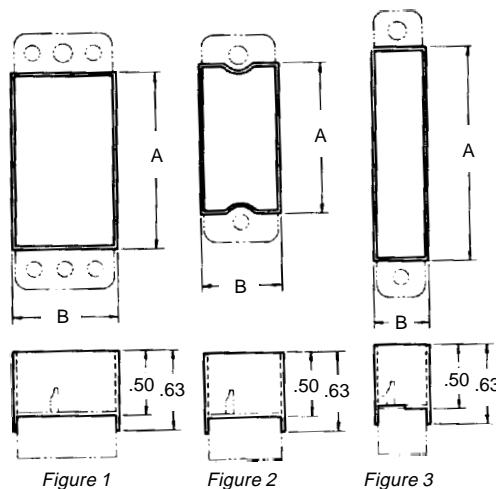
### DIMENSIONS / OUTLINE PRE-SHAPED NYLON POTTING FORMS

Dimensions are for reference only and are subject to change. Outline drawings on request.

Each form matches the back opening contour of its appropriate shell, and stays easily in place during the potting operation. Of negligible weight, it need not be removed from

the connector after potting. Because of floating contacts, connector halves should always be engaged during the potting operation to preserve contact alignment.

Potting Form Code No.	Fig.	Dimensions	
		A	B
MRE 7 FM	3	.62	.43
MRE 8 FM	2	.46	.43
MRE 9 FM	3	.77	.43
MRE 14 FM	2	.93	.49
MRE 18 FM	2	.87	.61
MRE 20 FM	2	1.12	.49
MRE 21 FM	3	1.68	.43
MRE 26 FM	2	1.18	.61
MRE 34 FM	1	1.38	.80
MRE 41 FM	2	2.18	.49
MRE 42 FM	1	1.69	.80
MRE 50 FM	1	1.97	.80
MRE 75 FM	1	1.98	1.16



Winchester

62 Barnes Industrial Road North, Wallingford, Connecticut 06492 Phone:(203)741-5400 Fax:(203)741-5500 www.winchesterelectronics.com



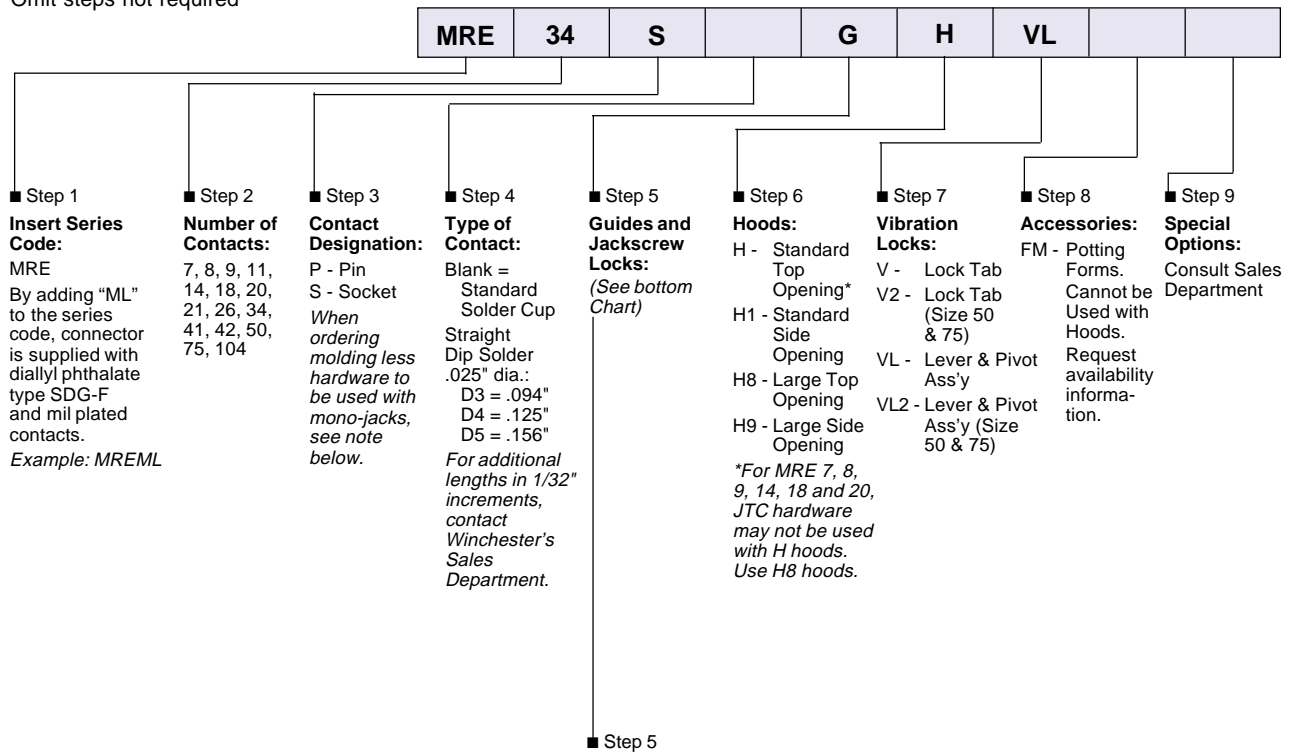
# Rack & Panel

## MRE Series

## Miniature Rectangular / #20 Contacts / .040" Dia. / 7.5 Amps

### ORDERING INFORMATION

Omit steps not required



#### Guides

- \*G Phosphor Bronze Cylindrical Guides\*
- K Beryllium Copper Cylindrical Guides
- \*N Brass Cylindrical Guides\*

Guides are not recommended for Size 104

"P" indicates two guide pins or two jackscrews (Ex. JTCP)

"S" indicates two guide sockets or two jacksockets. (Ex. GS)

#### Jackscrew Locks

- \*\*\*J Polarized Fixed Jackscrew and Jacksocket
- JT Polarized Short Turning Jackscrew and Jacksocket
- JTC Polarized Long Turning Jackscrew and Jacksocket
- \*\*\* JTD Polarized Long Turning Mono-Jackscrew and Mono-Jacksocket for Sizes 34, 42, 50, 75, and 104 only.

- \*\*JZ Same as J but with 6-32 mtg. thd. (Not available 5-3, 8) (Std. on 104)
- \*\*JTW Same as JT but with knurled round knob with internal hex (not avail. 5-3, 8, 104)
- \*\*JTU Same as JT but with knurled round knob with screwdriver slot (not avail. 5-3, 8, 104)
- \*\*JTX Same as JT but with hex knob (not avail. 5-3, 8, 104)
- \*\*JTCW Same as JTC but with knurled round knob with internal hex (not avail. 5-3, 8, 104)
- \*\*JTUCU Same as JTC but with knurled round knob with screwdriver slot (not avail. 5-3, 8, 104)
- \*\*JTCX Same as JTC but with hex knob (not avail. 5-3, 8, 104)
- \*\*JTCZ Same as JTC but with prybar knob.

\*\* Request availability information.

\*\*\* *Material: Nickel-plated brass - standard*  
**Example:** MRE34SJTDBH8

\* For passivated stainless steel add SS suffix (**Example:** MRE34SGSS)

**Mounting Note:** Connectors MRE 41, MRE 26, and smaller use guides for mounting in a hood or on a panel. Connectors MRE 34, MRE 42, MRE 50, MRE 75, use four #4 machine screws, in addition to guides, for mounting in a hood or on a panel.

**Note:** When ordering hoods, hardware and connectors separately for use with JTD Monojacks, connectors must be ordered as follows:

Pin connector = MRE34P8, MRE42P8, etc.

Socket connector = MRE34S8, MRE42S8, etc.

The number "8" indicates special housing for use with the JTD Monojack hardware (available on sizes 34, 42, 50, 66, 75 and 104).

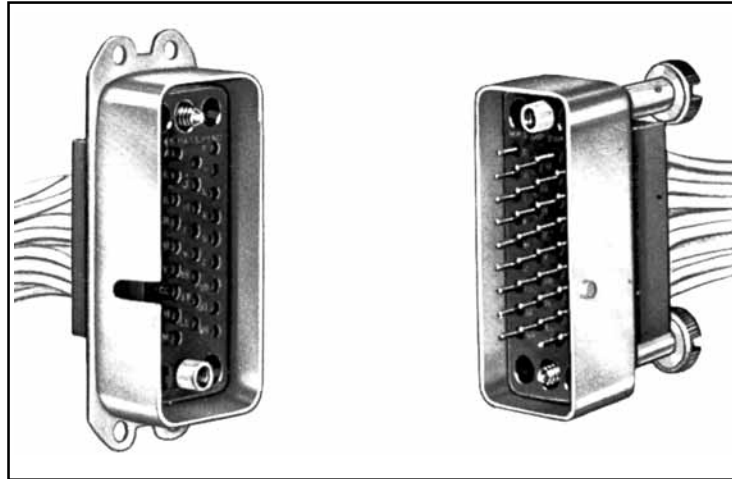
Winchester

62 Barnes Industrial Road North, Wallingford, Connecticut 06492 Phone:(203)741-5400 Fax:(203)741-5500 www.winchesterelectronics.com

# Rack & Panel

## XMRA & XMRE Series

**External Miniature Rectangular / #16 Contacts / .062" Dia.  
13 Amps ■ #20 Contacts / .040" Dia. / 7.5 Amps**



*A typical Series "XMRE" Receptacle and Plug fully wired and potted.*

The XMRE and XMRA Series connectors are designed to provide a sturdy, space-saving, lightweight electrical connection. Inserts are

housed in protective shells with screw lock coupling plus wall and cable mounting accessories available.

## SPECIFICATIONS

**Current Rating:** XMRA - 13 amps  
XMRE - 7.5 amps

**No. of Contacts:** XMRA - 9, 14, 20, 34, 42, 50, 50-8, 66, 75, 104  
XMRE - 9, 14, 18, 20, 26, 34, 42, 50, 75, 104

**Pin Contacts:** XMRA - .062 diameter, gold plated brass  
XMRE - .040 diameter, gold plated brass

**Socket Contacts:** Phosphor bronze plated gold.

**Termination Types:** XMRA - .070 dia. solder cup will accept up to #16 AWG stranded wire.  
XMRE - .048 dia. solder cup will accept up to #20 AWG stranded wire.

**Electrical Data:** Both XMRE and XMRA meet high potential performance requirements of MIL-C-28748. Military versions are QPL'd to M28748/1 and M28748/2 (XMRA) and to M28748/5 and M28748/6 (XMRE)  
The minimum dielectric withstanding voltage is one minute electrification at 1000 VAC (sea level) for XMRA and 1200 VAC for XMRE Series.

**Dielectric:** Brown mineral filled diallyl phthalate. Also available in gray glass filled diallyl phthalate, per MIL-M-14, SDG-F.

**Polarization:** A polarizing stud in the plug shell and a mating slot in the receptacle shell eliminates misalignment. Jackscrews and jacksockets or guide pins and sockets are alternative methods of polarization.

**Hoods:** Anodized Aluminum. May be applied to both plug and receptacles. Both top and side opening hoods are available.

Winchester.

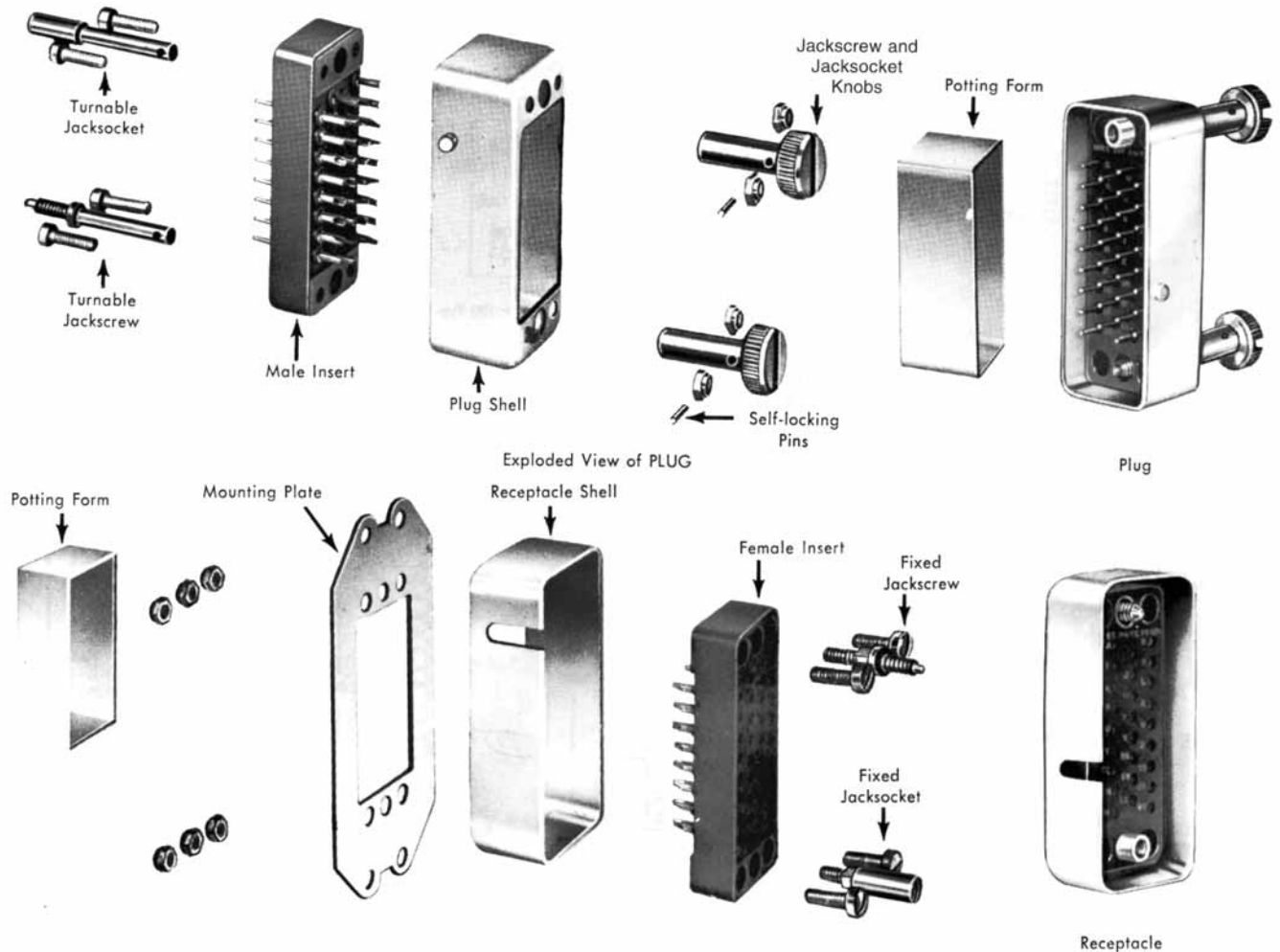
62 Barnes Industrial Road North, Wallingford, Connecticut 06492 Phone:(203)741-5400 Fax:(203)741-5500 www.winchesterelectronics.com

# Rack & Panel

XMRA & XMRE Series

External Miniature Rectangular / #16 Contacts / .062" Dia.  
13 Amps ■ #20 Contacts / .040" Dia. / 7.5 Amps

## CONNECTOR ASSEMBLIES



## CONNECTOR TERMS

**Plug:** The complete connector half which has the plug shell as part of its assembly.

**Receptacle:** The complete connector half which has the receptacle shell as part of its assembly.

**Shell:** The metal housing in which a male or female insert is assembled. A shell is either a plug shell or a receptacle shell.

**Plug Shell:** One which is designed to be inserted into a receptacle shell.

**Receptacle Shell:** One which is designed to receive and enclose the plug shell upon engagement.

**Male Insert:** The molded insulator body containing pin contacts.

**Female Insert:** The molded insulator body containing socket contacts.

**Pin Contacts:** Male metal conductors that fit into the socket contacts.

**Socket Contacts:** Female metal conductors, tubular in shape, which receive the pin contacts and retain them by spring tension.

**Polarization:** A means of controlling the engagement of a plug and receptacle so that correct mating of the contacts is achieved.

**Potting Form:** A plastic mold used to retain and shape the sealing compound during the moisture-proofing, or potting operation.

**Potting:** A method of moisture-proofing the back of a plug or receptacle and the soldered wire connections by injecting a free flowing sealing compound into a pre-shaped form and allowing it to set. The result is a homogeneous mass, chemically bonded to the back of the insert and around the soldered connections.

**Accessories:** Those components such as hoods, mounting plates and finger grips which are attachable to a plug or receptacle to facilitate mounting and/or handling of the connector.

Winchester

62 Barnes Industrial Road North, Wallingford, Connecticut 06492 Phone:(203)741-5400 Fax:(203)741-5500 www.winchesterelectronics.com

# Rack & Panel

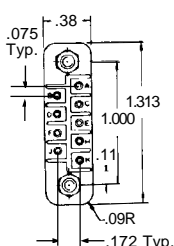
## XMRA & XMRE Series

External Miniature Rectangular / #16 Contacts / .062" Dia.  
 13 Amps ■ #20 Contacts / .040" Dia. / 7.5 Amps

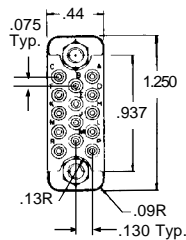
### OUTLINE

Dimensions are for reference only and are subject to change. Outline drawings on request.

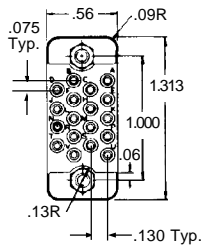
#### Contact Arrangements



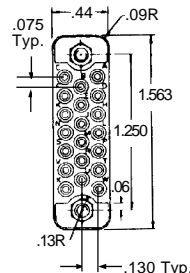
9 Contacts  
 XMRE 9 or XMRA 9



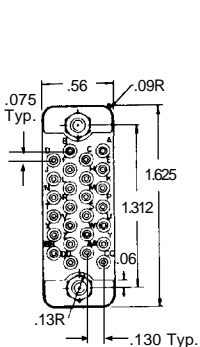
14 Contacts  
 XMRE 14 or XMRA 14



18 Contacts  
 XMRE 18

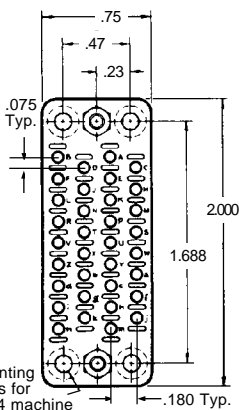


20 Contacts  
 XMRE 20 or XMRA 20

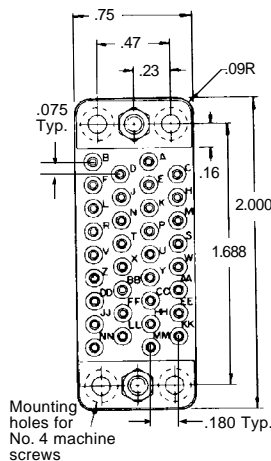


26 Contacts  
 XMRE 26

Mounting holes for No. 4 machine screws

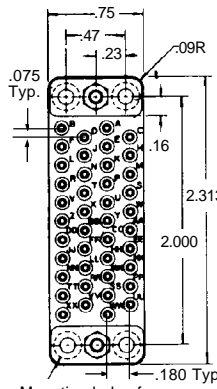


34 Contacts XMRA 34



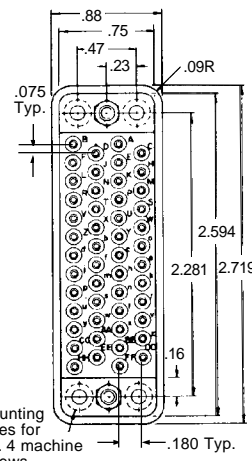
34 Contacts XMRE 34

Mounting holes for No. 4 machine screws



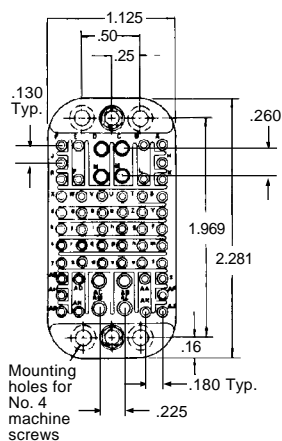
42 Contacts  
 XMRE 42 or XMRA 42

Mounting holes for No. 4 machine screws



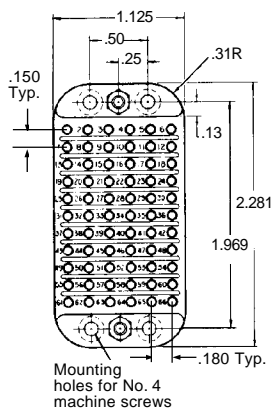
50 Contacts  
 XMRE 50 or XMRA 50

Mounting holes for No. 4 machine screws



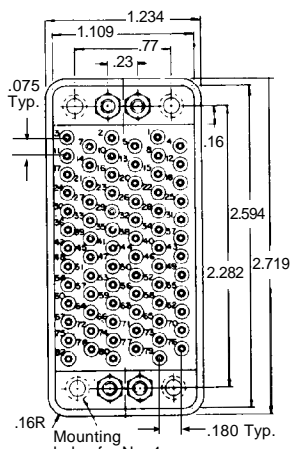
58 Contacts  
 XMRA 50-8

Mounting holes for No. 4 machine screws



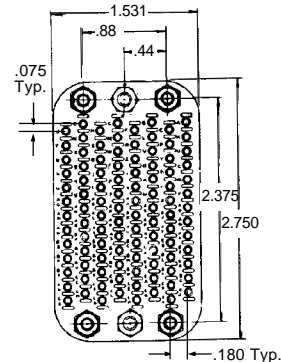
66 Contacts  
 XMRA 66

Mounting holes for No. 4 machine screws



75 Contacts XMRE 75 or XMRA 75

Mounting holes for No. 4 machine screws



104 Contacts  
 XMRA 104  
 XMRE 104

Views are rear (wiring end) of female inserts (male inserts are mirror image). The spacing, arrangement, and identification of contacts of the XMRE inserts are the same as found on the Series MRE Connectors for the same number of contacts.

Winchester

62 Barnes Industrial Road North, Wallingford, Connecticut 06492 Phone:(203)741-5400 Fax:(203)741-5500 www.winchesterelectronics.com

# Rack & Panel

## XMRA & XMRE Series

**External Miniature Rectangular / #16 Contacts / .062" Dia.  
13 Amps ■ #20 Contacts / .040" Dia. / 7.5 Amps**

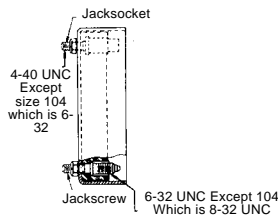
### JACKSCREWS & JACKSOCKETS

#### Jackscrew Locking Devices

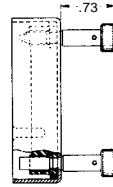
Polarized jackscrews offer the ease and assurance of threaded positive coupling. They are particularly desirable for the larger connectors (XMRE 34 and larger) whenever they are to be used in locations that make it difficult to apply enough direct pull to separate the two halves of the connector.

Type C (long-turning jackscrews and jacksockets) or Type D (mono-jacks) must be specified if both jackscrews and hood are required on the same connector half. Monojacks eliminate the need for roll pins, spacers and washers.

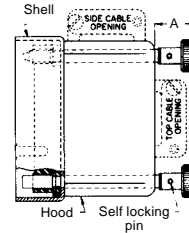
### OUTLINE



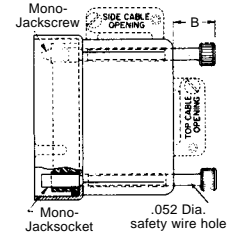
Connector with fixed Jackscrews  
Code designation: F



AND  
Mating connector half with turnable Jackscrews-with-Knobs  
Code designation: M



OR  
Mating connector half with Hood and turnable Long Jackscrews-with-Knobs



Code designation: C-0300, C-0400  
OR  
Mating connector half with Hood and turnable Monojacks  
Code designation: D-0300, D-0400

Drawings show extension of knobs beyond shell (left) and beyond hood. Refer to details of shells and hoods for the other dimensions which vary according to connector size.

### DIMENSIONS

#### Dimension A

SERIES	CODE	9	14	18	20	26	34	42	50	50-8	66	75	104
XMRE	0300	-	-	-	-	.77	.58	.53	.53	-	-	.52	-
	0300X	.53	.53	.78	.53	.55	.58	.53	.53	-	-	.52	-
	0400	.55	.55	.55	.55	.55	.58	.53	.53	-	-	.52	-
	0400X	-	-	-	.55	.55	.58	.53	.53	-	-	.52	-
XMRA	0700	-	-	-	-	.58	-	-	.64	.64	-	.52	-
	0800	-	-	-	-	.58	-	-	.64	.64	-	.52	-

#### Dimension B

CODE	34	42	50	66	75	104
0300	.59	.55	.55	-	.53	-
0400	.59	.55	.55	-	.53	-
0700	-	-	-	.38	-	.38
0800	-	-	-	.38	-	.38

Part	Code Letter	Wt. Oz. See Notes 1 & 2	Material and Finish
Jackscrews Jacksockets	Turntable M	0.30	stainless steel with passivating dip
Jackscrews Jacksockets	Long Turntable C	0.45	stainless steel with passivating dip
Jackscrews Jacksockets	Fixed F	0.15	nickel-plated brass
Knobs (except Monojacks)			al. anodized
Monojackscrews Monojacksockets	Turning Turning D		nickel-plated brass

Note 1: Weights are given for pairs, i.e., for a jackscrew and a jacksocket, etc., so that the weight figure may be added once to the weights of other accessories when computing the total weight of a plug or receptacle.

Note 2: Weights of turnable jackscrews and turnable jacksockets include knobs and roll pins; weights of fixed hardware include nuts.

Guide Socket Code Letter	Actual Size Photo	
G		G Type For General Use
K		K Type For High Electrical Conductivity
N		N Type For Extra Mechanical Strength

#### MATERIALS

"G" Socket: Phosphor bronze.  
"K" Socket: Beryllium copper.  
"N" Socket: Brass.  
Guide Pin: Brass

#### FINISH

Gold over Nickel

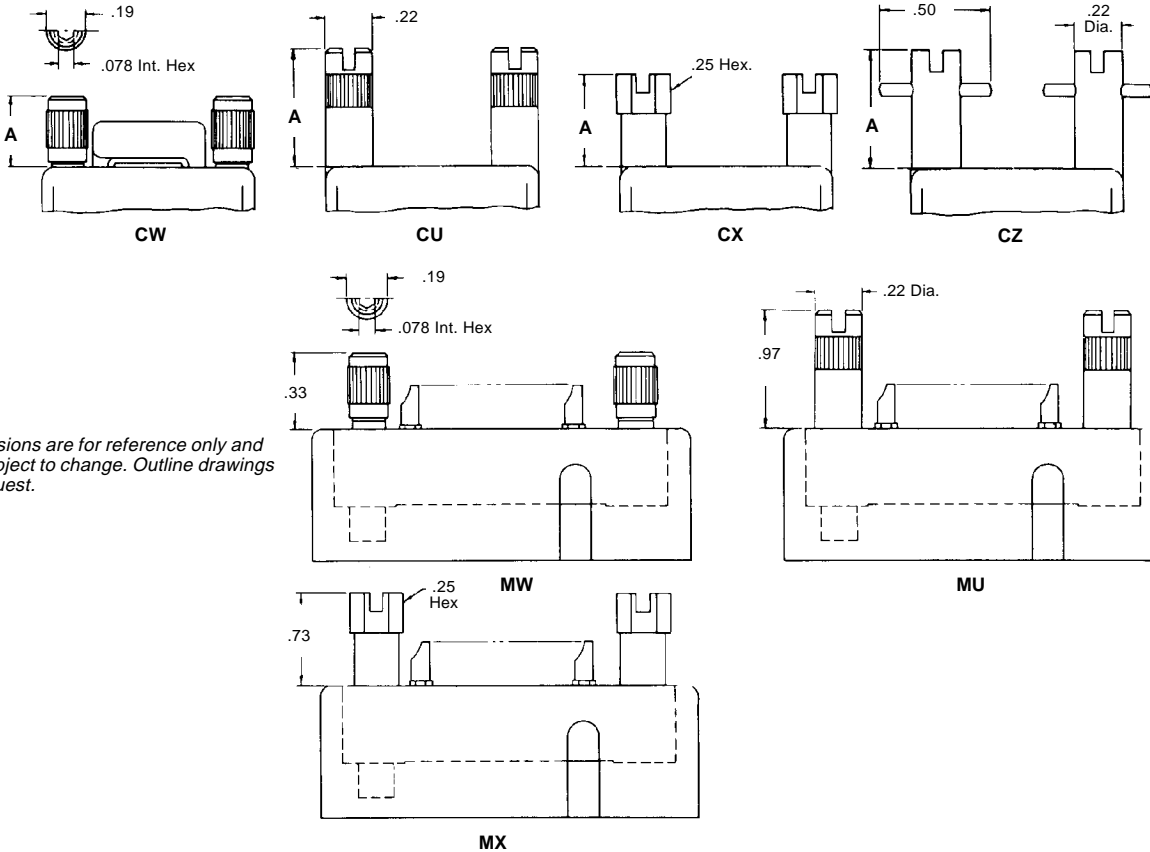
Winchester

62 Barnes Industrial Road North, Wallingford, Connecticut 06492 Phone:(203)741-5400 Fax:(203)741-5500 www.winchesterelectronics.com

# Rack & Panel

## XMRA & XMRE Series External Miniature Rectangular / #16 Contacts / .062" Dia. 13 Amps ■ #20 Contacts / .040" Dia. / 7.5 Amps

### OUTLINE JACKSCREW & JACKSOCKETS



Dimensions are for reference only and are subject to change. Outline drawings on request.

### DIMENSIONS

All jackscREWS and sockets are stainless steel, passivated, except F & D which are nickel-plated brass.

All knobs are aluminum, anodized except MW and CW which are stainless steel, passivated.

### JackscREW Locking For Series XMRE, XMRA

Size	0300	0400	0300X	0400X	0700	0800	Size	0300	0400	0300X	0400X	0700	0800
Dimension A - Type CW						Dimension A - Type CU							
9	-	.36	.34	.36	-	-	9	-	.61	.59	.61	-	-
14	-	.36	.34	.36	-	-	14	-	.61	.59	.61	-	-
18	-	.36	.34	.36	-	-	18	-	.61	.59	.61	-	-
20	-	.36	.34	.36	-	-	20	-	.61	.59	.61	-	-
26	.36	.36	.36	.36	-	-	26	.61	.61	.61	.61	-	-
34	.39	.39	.39	.39	.47	.47	34	.64	.64	.64	.64	.72	.72
42	.34	.34	.34	.34	-	-	42	.59	.59	.59	.59	-	-
50	.34	.34	.34	.34	-	-	50	.59	.59	.59	.59	-	-
50-8	-	-	-	-	.47	.47	50-8	-	-	-	-	.72	.72
66	-	-	-	-	.47	.47	66	-	-	-	-	.72	.72
75	.33	.33	.33	.33	-	-	75	.58	.58	.58	.58	-	-
Size	0300	0400	0300X	0400X	0700	0800	Size	0300	0400	0300X	0400X	0700	0800
Dimension A - Type CX						Dimension A - Type CZ							
9	-	.48	.47	.48	-	-	9	-	.61	.59	.61	-	-
14	-	.48	.47	.48	-	-	14	-	.61	.59	.61	-	-
18	-	.48	.72	.48	-	-	18	-	.61	.84	.61	-	-
20	-	.48	.47	.48	-	-	20	-	.61	.59	.61	-	-
26	.77	.48	.48	.48	-	-	26	.92	.61	.61	.61	-	-
34	.52	.52	.52	.52	.61	.61	34	.64	.64	.64	.64	.72	.72
42	.47	.47	.47	.47	-	-	42	.59	.59	.59	.59	-	-
50	.47	.47	.47	.47	-	-	50	.59	.59	.59	.59	-	-
50-8	-	-	-	-	.61	.61	50-8	-	-	-	-	.72	.72
66	-	-	-	-	.61	.61	66	-	-	-	-	.72	.72
75	.45	.45	.45	.45	-	-	75	.58	.58	.58	.58	-	-

Winchester.

62 Barnes Industrial Road North, Wallingford, Connecticut 06492 Phone:(203)741-5400 Fax:(203)741-5500 www.winchesterelectronics.com



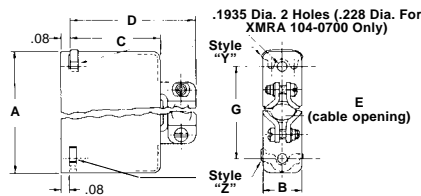
# Rack & Panel

## XMRA & XMRE Series

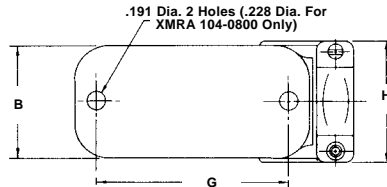
**External Miniature Rectangular / #16 Contacts / .062" Dia.**  
**13 Amps ■ #20 Contacts / .040" Dia. / 7.5 Amps**

### DIMENSIONS HOODS - DRAWN ALUMINUM

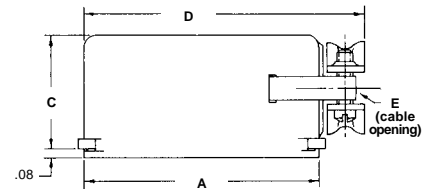
Dimensions are for reference only and are subject to change. Outline drawings on request.



Top Cable Opening



Side Cable Opening



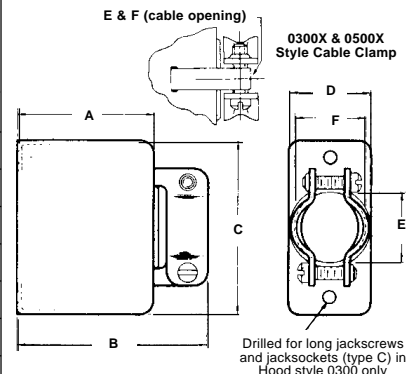
For use with	Hood Part Number	Dimensions					
		A	B	C	D	E	G
Type C Jacksockets & Jackscrews	XMRA 34-0700	2.09	.84	1.17	1.59	.66x.75	1.688
	XMRA 50-8-0700	2.38	1.22	1.17	1.69	1.03D	1.969
	XMRA 66-0700	2.38	1.22	1.17	1.69	1.03D	1.969
	XMRA 104-0700	2.84	1.63	2.23	2.75	1.19D	2.375
Type D Jacksockets & Jackscrews	XMRA 34-0700D	2.09	.84	1.17	1.59	.66x.75	1.688
	XMRA 50-8-0700D	2.38	1.22	1.17	1.69	1.03D	1.969
	XMRA 66-0700D	2.38	1.22	1.17	1.69	1.03D	1.969
	XMRA 104-0700D	2.84	1.63	2.23	2.75	1.19D	2.375
G, K, or N, Type Guides or Type F Jackscrews	XMRA 34-0900	2.09	.84	1.17	1.59	.66x.75	-
	XMRA 50-8-0900	2.38	1.22	1.17	1.69	1.03D	-
	XMRA 66-0900	2.38	1.22	1.17	1.69	1.03D	-
	XMRA 104-0900	2.84	1.63	2.23	2.75	1.19D	-

For use with	Hood Part Number	Dimensions						
		A	B	C	D	E	H	G
Type C Jacksockets & Jackscrews	XMRA 34-0800	2.09	.84	1.16	2.58	.64x.75	1.06	1.688
	XMRA 50-8-0800	2.38	1.22	1.16	2.91	.84 D	1.34	1.969
	XMRA 66-0800	2.38	1.22	1.16	2.91	.84D	1.34	1.969
	XMRA 104-0800	2.84	1.63	2.22	3.38	1.19D	1.63	2.375
Type D Jacksockets & Jackscrews	XMRA 34-0800D	2.09	.84	1.17	2.58	.64x.75	1.06	1.688
	XMRA 50-8-0800D	2.38	1.22	1.17	2.91	.84D	1.34	1.969
	XMRA 66-0800D	2.38	1.22	1.17	2.91	.84D	1.34	1.969
	XMRA 104-0800D	2.84	1.63	2.23	3.38	1.19D	1.63	2.375
G, K, or N, Type Guides or Type F Jackscrews	XMRA 34-0200	2.09	.84	1.16	2.58	.64x.75	1.06	-
	XMRA 50-8-0200	2.38	1.22	1.16	2.91	.84D	1.34	-
	XMRA 66-0200	2.38	1.22	1.16	2.91	.84D	1.34	-
	XMRA 104-0200	2.84	1.63	2.22	3.38	1.19D	1.63	-

### DIMENSIONS HOODS - FORMED ALUMINUM

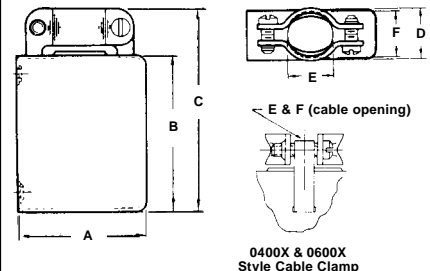
For use with Monojacks	For use with Type C Jacksockets & Jackscrews	For use with G, K, or N, Type Guides *	Dimensions				Cable Opening		Wt. Oz.
			A	B	C	D	E Dia.	F Dia.	
	Hood Part No. (If ordered separately)								
		XMRE 9-0500	1	1.31	1.31	.44	.31	-	0.3
	XMRE 9-0300X	XMRE 9-0500X	1	1.30	1.31	.44	.59	.31	-
		XMRE 14-0500	.75	1.19	1.25	.5	.44D	-	0.3
	XMRE 14-0300X	XMRE 14-0500X	.75	1.05	1.25	.5	.59	.38	-
		XMRE 18-0500	.75	1.19	1.31	.63	.44D	-	0.4
	XMRE 18-0300X	XMRE 18-0500X	.75	1.25	1.31	.63	.63	.44	-
		XMRE 20-0500	.75	1.19	1.56	.5	.44D	-	0.3
	XMRE 20-0300X	XMRE 20-0500X	.75	1.05	1.56	.5	.66	.38	-
	XMRE 26-0300	XMRE 26-0500	1.28	1.72	1.63	.64	.59	.38	0.4
	XMRE 26-0300X	XMRE 26-0500X	1.28	1.78	1.63	.64	.78	.44	-
XMRE 34-0300D	XMRE 34-0300	XMRE 34-0500	1.25	1.67	2	.83	.66D	-	0.6
XMRE 34-0300XD	XMRE 34-0300X	XMRE 34-0500X	1.25	1.75	2.00	.83	1.06	.56	-
XMRE 42-0300D	XMRE 42-0300	XMRE 42-0500	1.30	1.73	2.31	.83	.63D	-	0.7
XMRE 42-0300XD	XMRE 42-0300X	XMRE 42-0500X	1.30	1.80	2.31	.83	1.06	.56	-
XMRE 50-0300D	XMRE 50-0300	XMRE 50-0500	1.30	1.80	2.59	.83	.63D	-	0.8
XMRE 50-0300XD	XMRE 50-0300X	XMRE 50-0500X	1.30	1.80	2.59	.83	1.06	.28	-
XMRE 75-0300D	XMRE 75-0300	XMRE 75-0500	1.31	1.75	2.59	1.19	.63	.88	1.0
XMRE 75-0300XD	XMRE 75-0300X	XMRE 75-0500X	1.31	1.86	2.59	1.19	1	.88	-

Top Cable Opening



For use with Monojacks	For use with Type C Jacksockets & Jackscrews	For use with G, K, or N, Type Guides *	Dimensions				Cable Opening		Wt. Oz.
			A	B	C	D	E Dia.	F Dia.	
	Hood Part No. (If ordered separately)								
		XMRE 9-0600	1.28	1.31	1.63	.44	.31D	-	0.3
	XMRE 9-0400X	XMRE 9-0600X	1.28	1.31	1.61	.44	.59	.31	-
		XMRE 14-0600	1.28	1.25	1.69	.5	.38D	-	0.3
	XMRE 14-0400X	XMRE 14-0600X	1.28	1.25	1.55	.5	.59	.38	-
		XMRE 18-0600	1.28	1.31	1.75	.63	.44D	-	0.3
	XMRE 18-0400X	XMRE 18-0600X	1.28	1.31	1.81	.63	.69	.44	-
	XMRE 20-0400	XMRE 20-0600	1.28	1.56	2	.5	.38D	-	0.3
	XMRE 20-0400X	XMRE 20-0600X	1.28	1.56	1.86	.5	.66	.38	-
	XMRE 26-0400	XMRE 26-0600	1.28	1.63	2.06	.64	.59	.38	0.4
	XMRE 26-0400X	XMRE 26-0600X	1.28	1.63	2.13	.64	.78	.44	-
XMRE 34-0400D	XMRE 34-0400	XMRE 34-0600	1.25	2	2.42	.83	.66	-	0.6
XMRE 34-0400XD	XMRE 34-0400X	XMRE 34-0600X	1.25	2	2.5	.83	.81	.56	-
XMRE 42-0400D	XMRE 42-0400	XMRE 42-0600	1.30	2.31	2.73	.83	.63	.5	0.7
XMRE 42-0400XD	XMRE 42-0400X	XMRE 42-0600X	1.30	2.31	2.81	.83	.84	.56	-
XMRE 50-0400D	XMRE 50-0400	XMRE 50-0600	1.30	2.59	3.02	.83	.63	.5	0.8
XMRE 50-0400XD	XMRE 50-0400X	XMRE 50-0600X	1.30	2.59	3.09	.83	1.06	.56	-
XMRE 75-0400D	XMRE 75-0400	XMRE 75-0600	1.31	2.59	3.02	1.19	.63	.88	1.0
XMRE 75-0400XD	XMRE 75-0400X	XMRE 75-0600X	1.31	2.59	3.14	1.19	1	.88	-

Side Cable Opening



\* Add "J" to hood P/N when used with "F" jackscrews.

Winchester

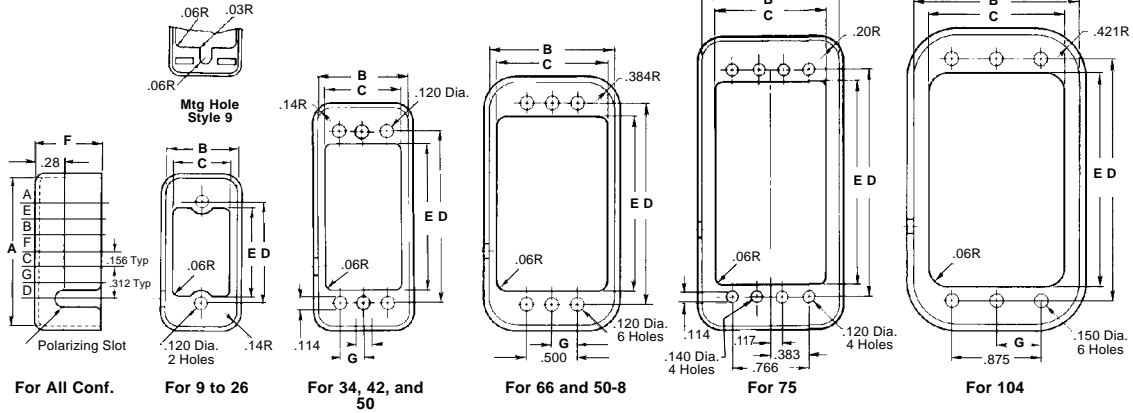
62 Barnes Industrial Road North, Wallingford, Connecticut 06492 Phone:(203)741-5400 Fax:(203)741-5500 www.winchesterelectronics.com

# Rack & Panel

## XMRA & XMRE Series External Miniature Rectangular / #16 Contacts / .062" Dia. 13 Amps ■ #20 Contacts / .040" Dia. / 7.5 Amps

### OUTLINE SHELLS - RECEPTACLE

Dimensions are for reference only and are subject to change. Outline drawings on request.



### DIMENSIONS SHELLS - RECEPTACLE

#### Important Note When Ordering Plug and Receptacle Shells

The shell part numbers given in table show an asterisk (\*) where the code letter for the desired polarizing position belongs - example: XMRE9-2\*000 becomes XMRE9-2B000 when polarization in position "B" is desired. Specify the same position on the mating shell.

For non-polarized shells, merely omit this position, e.g. XMRE9-2000.

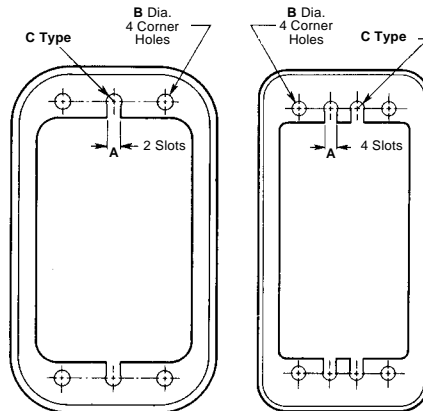
#### TYPICAL SHELLS FOR MONOJACKS

Shells are aluminum, anodized for protection against corrosion. Either shell style - plug or receptacle - may be used to house the female insert, thus allowing the "live" socket contacts to be cable or panel mounted, as desired. Shells also provide a means by which connector polarization is accomplished - the receptacle shell is slotted for engaging a polarizing pin on the plug shell. Any of seven positions (A, B, C, D, E, F, or G) may be specified for polarization; non-polarized shells have the slot and pin omitted.

Stainless steel shells available for 66 and 104 sizes. Dimensions vary from those shown for aluminum shells, Check Sales for availability and dimensions on all sizes.

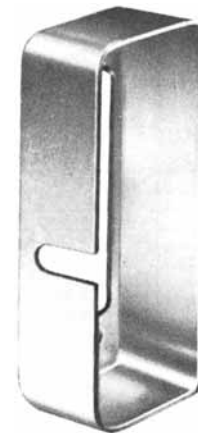
For Connector Size	A	B	C
34, 42, 50, 50-8, 66, 75	.11	.120	.06R
104	.14	.150	.07R

Shell Part No. (if ordered separately)	Dimensions							Wt. Oz.
	A	B	C	D	E	F	G	
XMRE 9-2*000	1.45	.52	.38	1.000	.88	.66	-	0.15
XMRE 14-2*000	1.39	.58	.45	.937	.81	.66	-	0.16
XMRE 18-2*000	1.45	.70	.58	1.000	.88	.66	-	0.17
XMRE 20-2*000	1.70	.58	.45	1.250	1.13	.66	-	0.19
XMRE 26-2*000	1.77	.70	.58	1.312	1.19	.66	-	0.23
XMRE 34-2*000	2.14	.89	.75	1.687	1.44	.66	.234	0.25
XMRE 42-2*000	2.45	.89	.75	2.000	1.75	.66	.234	0.28
XMRE 50-2*000	2.86	1.02	.75	2.282	2.03	.66	.234	0.30
XMRA 66-2*000								
XMRA 66-4*000								
XMRA 50-8-2*000	2.42	1.27	1.13	1.969	1.72	.66	.250	0.28
XMRE 75-2*000	2.86	1.38	1.11	2.282	2.03	.66	-	0.32
XMRA 104-2*000	2.91	1.69	1.48	2.375	2.13	.66	.437	0.30



For 34, 42, 50, 50-8, 66 and 104 Configuration

For 75 Configuration



Receptacle Shell Style Number 2000

Shells are .040 in. thick.

Winchester.

62 Barnes Industrial Road North, Wallingford, Connecticut 06492 Phone:(203)741-5400 Fax:(203)741-5500 www.winchesterelectronics.com

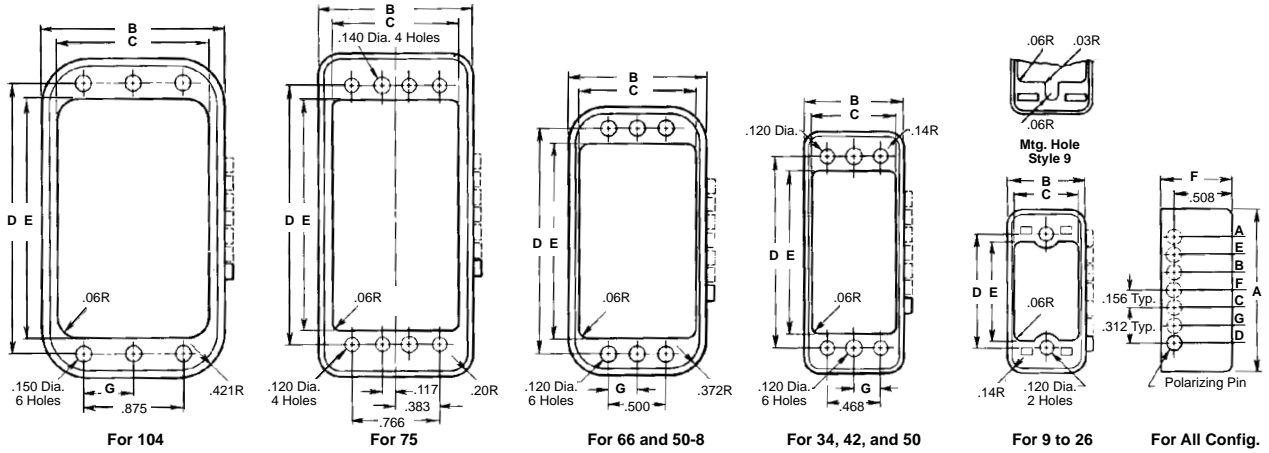
# Rack & Panel

## XMRA & XMRE Series

External Miniature Rectangular / #16 Contacts / .062" Dia.  
 13 Amps ■ #20 Contacts / .040" Dia. / 7.5 Amps

### OUTLINE SHELLS - PLUG

Dimensions are for reference only and are subject to change. Outline drawings on request.

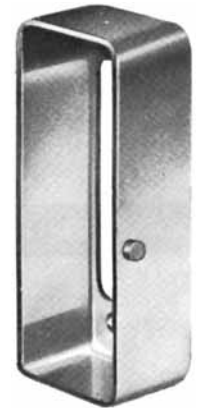
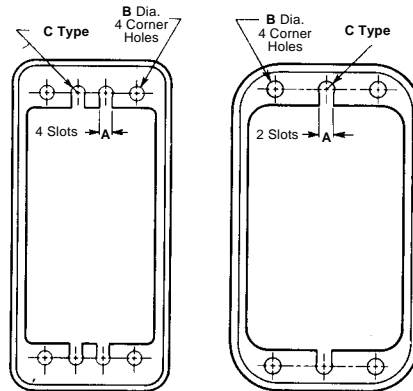


### DIMENSIONS

Shell Part No. (if ordered separately)	Dimensions							Wt. Oz.
	A	B	C	D	E	F	G	
XMRE 9-1*000	1.44	.5	.38	1.000	.88	.63	-	0.14
XMRE 14-1*000	1.38	.56	.45	.937	.81	.63	-	0.15
XMRE 18-1*000	1.44	.69	.58	1.000	.88	.63	-	0.16
XMRE 20-1*000	1.69	.56	.45	1.250	1.13	.63	-	0.18
XMRE 26-1*000	1.75	.69	.58	1.312	1.19	.63	-	0.22
XMRE 34-1*000								
XMRE 34-3*000	2.13	.88	.75	1.687	1.44	.66	.234	0.24
XMRE 42-1*000								
XMRE 42-3*000	2.44	.88	.75	2.000	1.75	.66	.234	0.26
XMRE 50-1*000								
XMRE 50-3*000	2.84	1	.75	2.282	2.03	.66	.234	0.28
XMRA 66-1*000								
XMRA 66-3*000	2.41	1.25	1.13	1.969	1.72	.66	.250	0.28
XMRA 50-8-1*000								
XMRA 50-8-3*000								
XMRE 75-1*000								
XMRE 75-3*000	2.84	1.36	1.11	2.282	2.03	.66	-	0.30
XMRA 104-1*000								
XMRA 104-3*000	2.88	1.66	1.48	2.375	2.13	.66	.437	0.30

### Typical Shells For Monojacks

For Connector Size	A	B	C
34, 42, 50, 50-8, 66, 75	.11	.120	.06R
104	.14	.150	.07R



Plug Shell Style Number 1000

Shells are .040 in. thick.

Winchester

62 Barnes Industrial Road North, Wallingford, Connecticut 06492 Phone:(203)741-5400 Fax:(203)741-5500 www.winchesterelectronics.com

# Rack & Panel

## XMRA & XMRE Series External Miniature Rectangular / #16 Contacts / .062" Dia. 13 Amps ■ #20 Contacts / .040" Dia. / 7.5 Amps

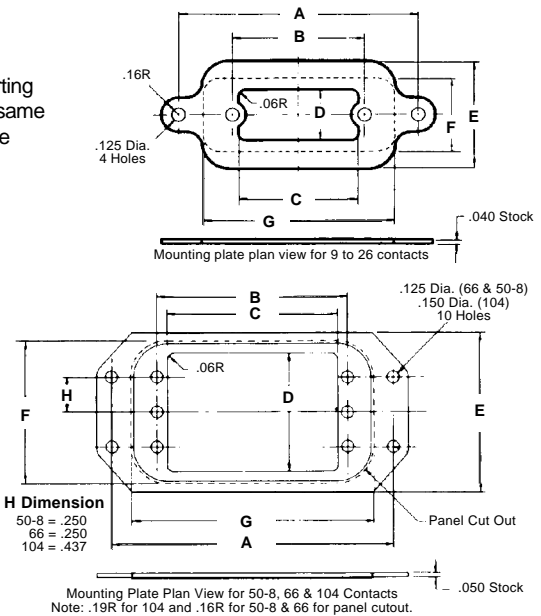
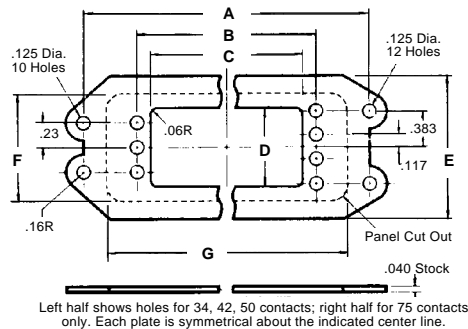
### OUTLINE MOUNTING PLATES

Dimensions are for reference only and are subject to change. Outline drawings on request.

#### Mounting Plates for External Miniature Rectangular Connectors, Potting Forms

Mounting Plates enable attachment of a connector to a wall, bulkhead, or other supporting surface. The plate is assembled to the back of a plug or receptacle by employing the same hardware and/or guides used to retain the insert in the shell; No. 4 machine screws are then used to mount the complete assembly against the required surface.

Mounting plates are aluminum, anodized to resist corrosion.



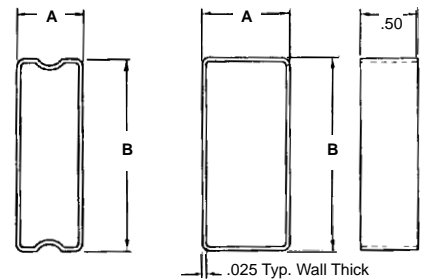
### DIMENSIONS

Mounting Plate Part No. (If Ordered Separately)	Dimensions							Panel Cutout	Wt.
	A	B	C	D	E	F	G	Oz.	
XMRE 9-0010	2.02	1.000	.88	.41	.95	.64	1.58	0.09	
XMRE 14-0010	1.95	.937	.81	.47	1.02	.70	1.52	0.10	
XMRE 18-0010	2.02	1.000	.88	.59	1.14	.83	1.58	0.11	
XMRE 20-0010	2.27	1.250	1.13	.47	1.02	.70	1.83	0.12	
XMRE 26-0010	2.33	1.312	1.19	.59	1.14	.83	1.89	0.14	
XMRE 34-0010	2.70	1.687	1.44	.75	1.33	1.02	2.27	0.15	
XMRE 42-0010	3.02	2.000	1.75	.75	1.33	1.02	2.58	0.16	
XMRE 50-0010	3.42	2.281	2.03	.75	1.45	1.14	2.98	0.18	
XMRE 75-0010	3.42	2.281	2.03	1.11	1.80	1.48	2.98	0.19	
XMRA 50-8-0010	2.98	1.969	1.72	1.13	1.69	1.39	2.55	0.18	
XMRA 66-0010									
XMRA 104-0010	3.5	2.375	2.13	1.48	2.0	1.81	3.03	0.19	

### OUTLINE POTTING FORMS

#### Potting Forms for External Miniature Rectangular Connectors

Nylon Potting Forms: Each form matches the back opening contour of its appropriate shell. Stays easily in place during the potting operation. Of negligible weight, the form need not be removed from the connector after potting. XMRE and XMRA connector-halves should always be engaged during the potting operation to preserve the contact alignment.



Potting form plan view for 9 to 26 contacts

Potting form plan view for 34, 42, 50, 50-8, 66, and 104 contacts

### DIMENSIONS

Potting Form Part No. (If Ordered Separately)	Dimensions	
	A	B
XMRE 9-0100	.38	.86
XMRE 14-0100	.45	.81
XMRE 18-0100	.56	.86
XMRE 20-0100	.44	1.11
XMRE 26-0100	.56	1.17
XMRE 34-0100	.75	1.39
XMRE 42-0100	.75	1.69
XMRE 50-0100	.75	1.98
XMRE 75-0100	1.11	1.98

Potting Form Part No. (If Ordered Separately)	Dimensions	
	A	B
XMRA 9-0100	.38	.86
XMRA 14-0100	.45	1.11
*XMRA 20-0100	.44	1.11
XMRA 34-0100	.75	1.39
XMRA 42-0100	.75	1.69
XMRA 50-0100	.75	2.03
XMRA 50-8-0100	1.13	1.72
XMRA 66-0100	1.13	1.72
XMRA 75-0100	1.11	2.03
XMRA 104-0100	1.48	2.08

\*Stepped construction not shown or dimensioned. Cut-outs to clear XMRA barriers not shown.

Winchester

62 Barnes Industrial Road North, Wallingford, Connecticut 06492 Phone:(203)741-5400 Fax:(203)741-5500 www.winchesterelectronics.com

# Rack & Panel

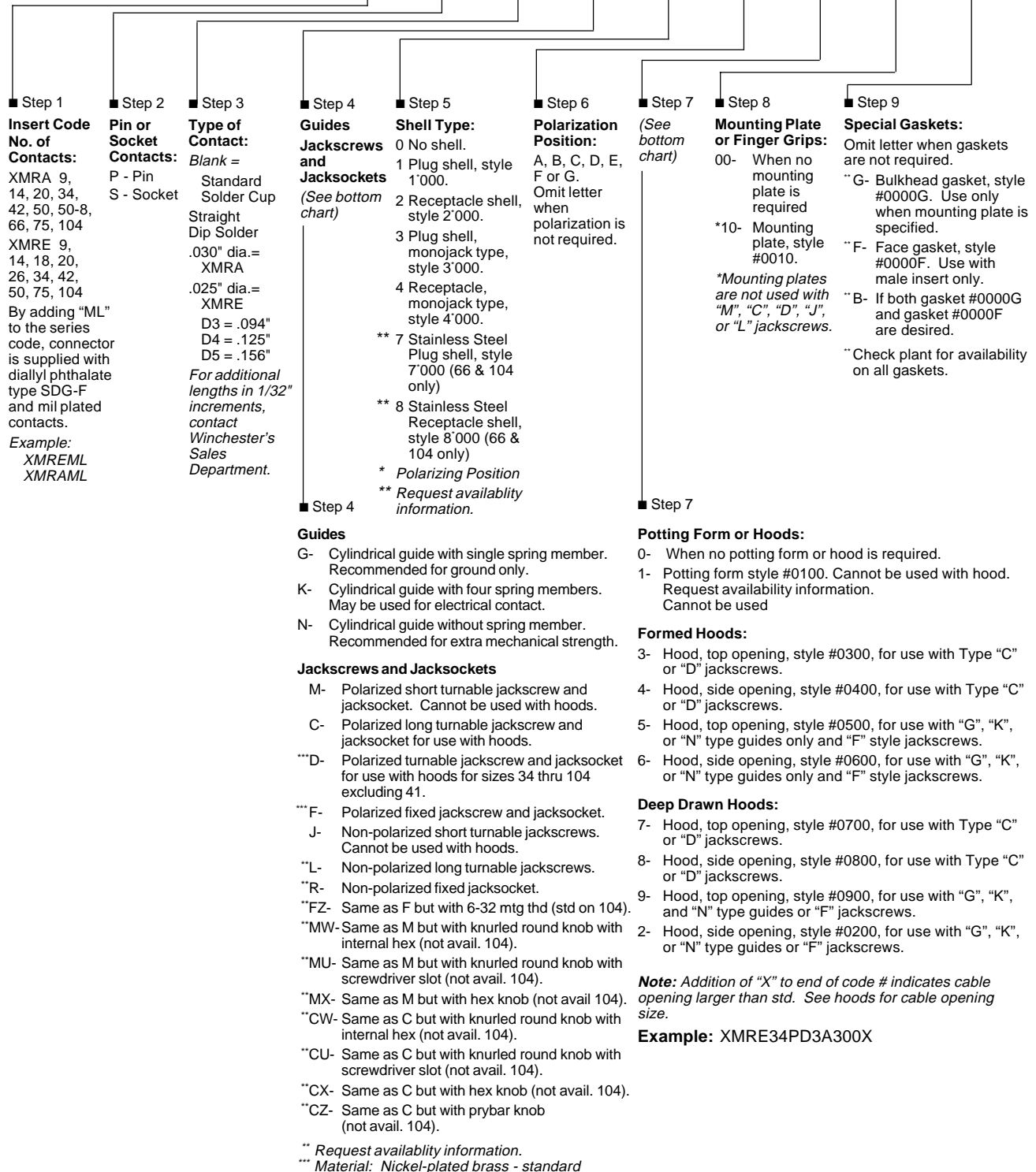
## XMRA & XMRE Series

## External Miniature Rectangular / #16 Contacts / .062" Dia. 13 Amps ■ #20 Contacts / .040" Dia. / 7.5 Amps

### ORDERING INFORMATION

Omit steps not required

<b>XMRE 34</b>	<b>S</b>		<b>-F</b>	<b>-2</b>	<b>A</b>	<b>1</b>	<b>10</b>	
<b>XMRA 34</b>	<b>S</b>		<b>-F</b>	<b>-2</b>	<b>A</b>	<b>1</b>	<b>10</b>	



Winchester

62 Barnes Industrial Road North, Wallingford, Connecticut 06492 Phone:(203)741-5400 Fax:(203)741-5500 www.winchesterelectronics.com

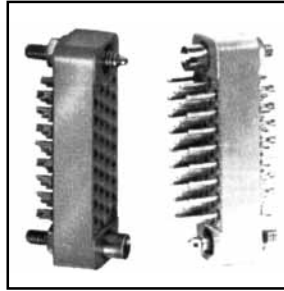
# Rack & Panel

## SLE-SME-SRE Series

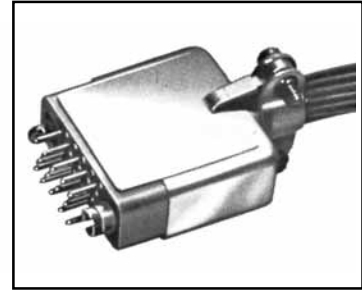
### Sub Miniature / High Density Rectangular / .025" Dia. / 3 Amps .030" Dia. / 5 Amps / .040" Dia. / 7.5 Amps



**SLE**  
.025 Diameter Contacts —  
3 Amps.



**SRE**  
.030 Diameter Contacts — 5 Amps



**SME**  
.040 Diameter Contacts — 7.5 Amps

Within this series, you'll find a standard size connector for which you can select one of three current ratings: 3, 5 or 7.5 amps. Compact and lightweight, they are especially

suited for aircraft, instrumentation and portable equipment applications. Right angle, dip solder, pin or socket contacts are available. Consult factory.

## SPECIFICATIONS

**Current Rating:** SLE - 3 amps; SRE - 5 amps; SME - 7.5 amps.

**No. of Contacts:** 4, 5, 7, 9, 11, 14, 20, 26, 29, 34, 44, 50.

**Pin Contacts:** Brass, gold plated except for SLE which is phosphor bronze, gold plated.

**Socket Contacts:** Phosphor bronze, gold plated.

**Termination Types:** .037 diameter solder cup will accept up to #22 AWG stranded wire. Solder cup adaptor (Part No. S45) will accept up to #20 AWG stranded wire. Dip solder terminations available for SRE Series, .030 Dia. Check Sales Department for available lengths.

Military versions of SRE are QPL'd to M28748/7 and M28748/8.

**Electrical Data:** The dielectric withstanding voltage is one minute

electrification at 1000 VAC.

**Dielectric:** Green glass-filled diallyl phthalate per MIL-M-14, SDG-F.

**Guides:** Type NSS stainless steel, passivated or Type N Brass, gold plated.

**Jackscrews:** Stainless steel, passivated. Aluminum knobs on the jackscrews are equipped with set screws, except JTU jackscrews which have stainless steel knobs equipped with groove pins.

**Hoods:** Anodized aluminum. May be applied to either plug or receptacle. Both top and side openings are available for use with either guides or jackscrews.



# Rack & Panel

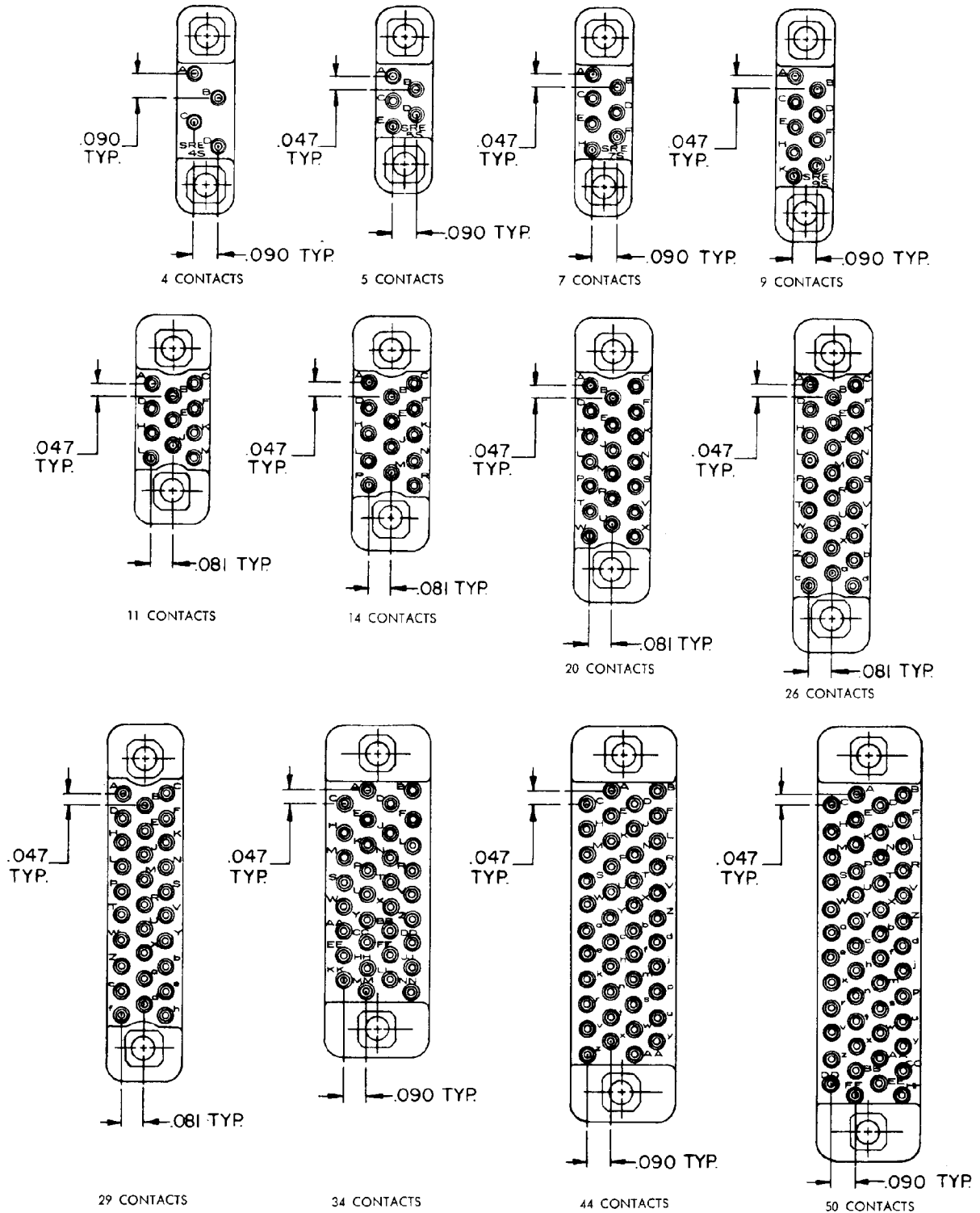
## SLE-SME-SRE Series

Sub Miniature / High Density Rectangular / .025" Dia. / 3 Amps  
.030" Dia. / 5 Amps / .040" Dia. / 7.5 Amps

### CONTACT ARRANGEMENT

#### Mating Face of Female Moldings - Male Moldings Reverse Image

Dimensions are for reference only and are subject to change. Outline drawings on request.



Winchester

62 Barnes Industrial Road North, Wallingford, Connecticut 06492 Phone:(203)741-5400 Fax:(203)741-5500 www.winchesterelectronics.com

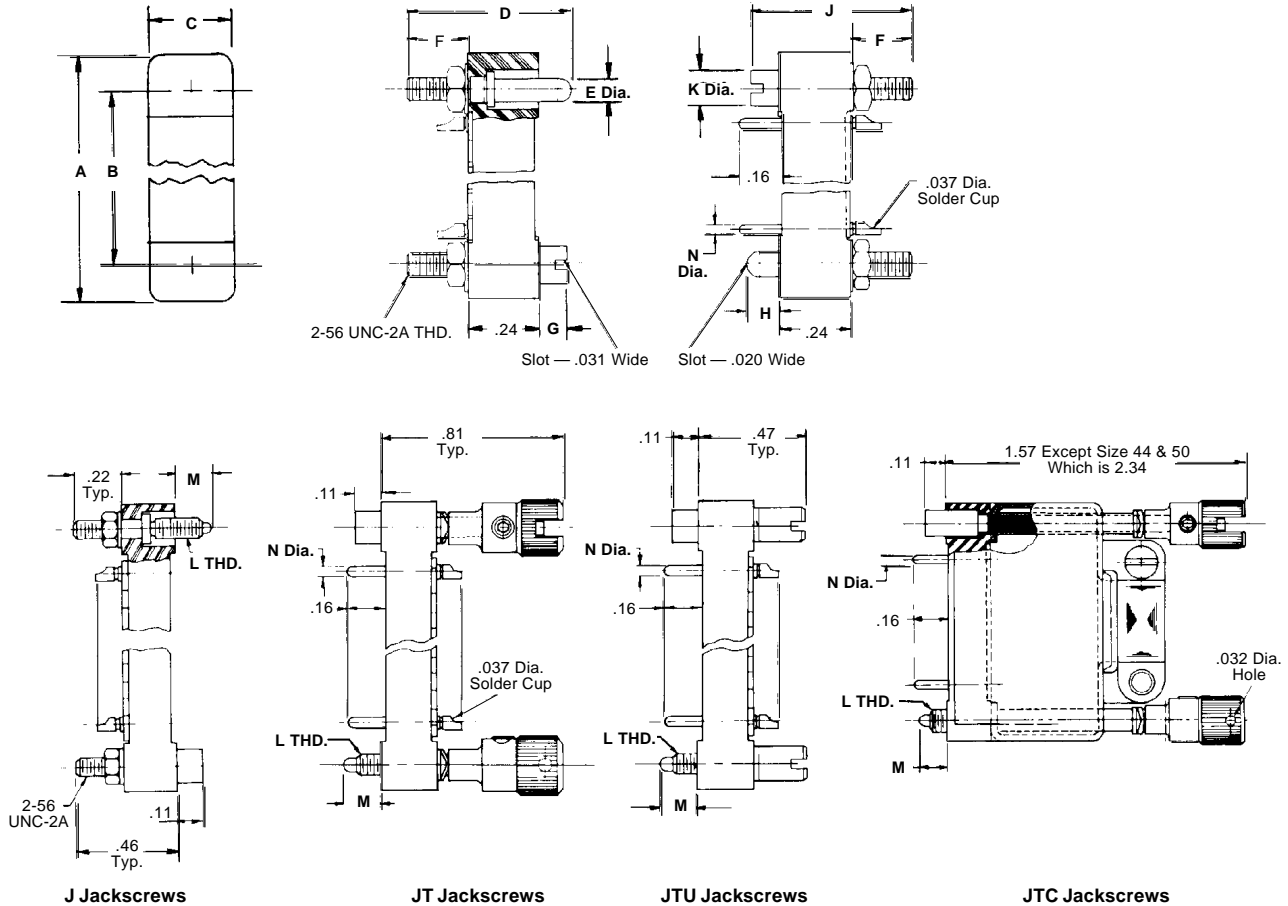
# Rack & Panel

## SLE-SME-SRE Series

Sub Miniature / High Density Rectangular / .025" Dia. / 3 Amps  
 .030" Dia. / 5 Amps / .040" Dia. / 7.5 Amps

### OUTLINE

Dimensions are for reference only and are subject to change. Outline drawings on request.



### DIMENSIONS

The stainless steel guide pin and socket have good physical strength and are particularly desirable for mounting connectors which will be

subject to severe vibration in service, but not for electrical applications. Optional gold plated brass available for electrical applications.

No. of Contacts	A	B	C
4	.78	.562	.21
5	.70	.482	.21
7	.78	.562	.21
9	.88	.656	.21
11	.78	.531	.28
14	.88	.625	.28
20	1.06	.814	.28
26	1.25	1.000	.28
29	1.34	1.094	.28
34	1.25	1.032	.39
44	1.48	1.267	.39
50	1.63	1.408	.39

Series	D	E Dia	F	G	H	J	K	L Thd	M	N
SLE	.62	.08	.24	.10	.14	.59	.125	2-56 UNC	.15	.025
SRE	.57	.09	.22	.11	.12	.57	.137	3-48 UNC*	.12	.030
SME	.62	.08	.24	.10	.14	.59	.125	2-56 UNC	.15	.040

\*2-56 UNC Thread also available.  
 See ordering information for part number suffix.

Winchester

62 Barnes Industrial Road North, Wallingford, Connecticut 06492 Phone:(203)741-5400 Fax:(203)741-5500 www.winchesterelectronics.com

# Rack & Panel

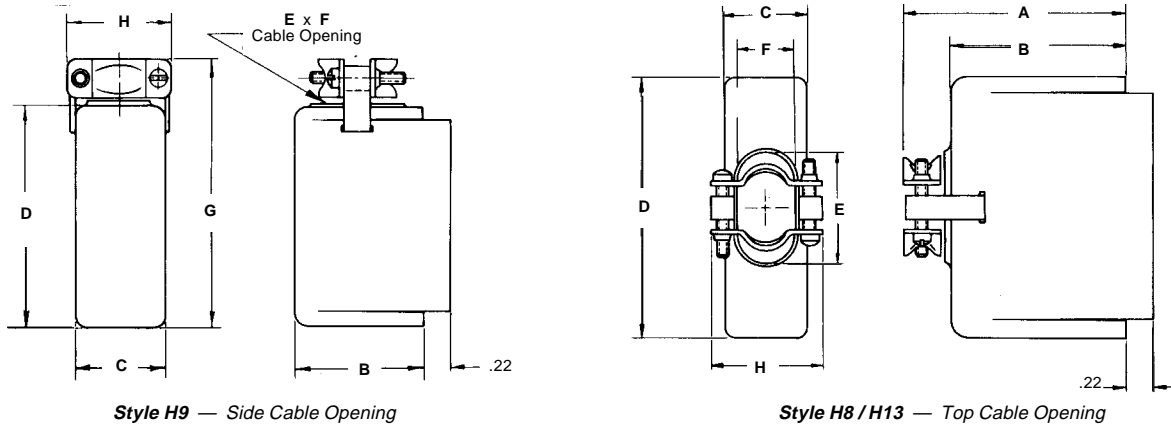
## SLE-SME-SRE Series

**Sub Miniature / High Density Rectangular / .025" Dia. / 3 Amps  
.030" Dia. / 5 Amps / .040" Dia. / 7.5 Amps**

### OUTLINE

#### Hoods Formed Aluminum

Dimensions are for reference only and are subject to change. Outline drawings on request.



Style H9 — Side Cable Opening

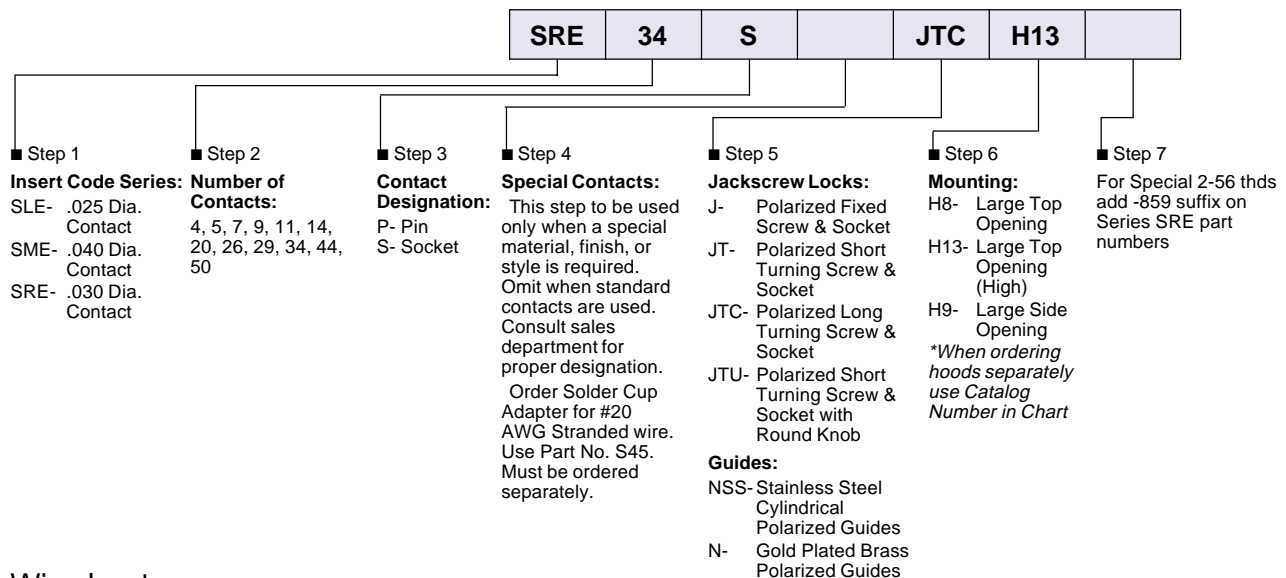
Style H8 / H13 — Top Cable Opening

### DIMENSIONS

Hood Style	Hood Catalog Number Guides Only*	Dimensions						Cable Opening		No. of Contacts
		A	B	C	D	G	H	E	F	
H8	SRE11H8	1.02	.72	.33	.78	—	.53	.28	.28	11
H8	SRE50H8	1.80	1.50	.45	1.63	—	.63	1.19	.38	50
H9	SRE11H9	—	.72	.33	.78	1.08	.53	.50	.22	11
H9	SRE50H9	—	1.50	.45	1.63	1.92	.63	1.19	.38	50
H13	SRE4&7H13	1.02	.75	.25	.78	—	.53	.22	.16	4 & 7
H13	SRE14H13	1.02	.75	.34	.88	—	.53	.25	.16	14
H13	SRE20H13	1.02	.75	.34	1.06	—	.53	.38	.25	20
H13	SRE26H13	1.02	.75	.34	1.25	—	.53	.41	.25	26
H13	SRE34H13	1.05	.75	.45	1.25	—	.63	.73	.38	34
NOT AVAILABLE										5
NOT AVAILABLE										9
H13	SRE29H13	1.02	.75	.34	1.34	—	.53	.41	.25	29
NOT AVAILABLE										44

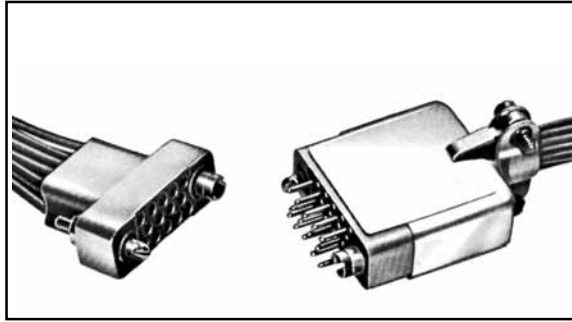
\* Add "J" to hood part number when used with fixed jackscrews  
Add "JTC" to hood part number when used with long turning jackscrews.

### ORDERING INFORMATION



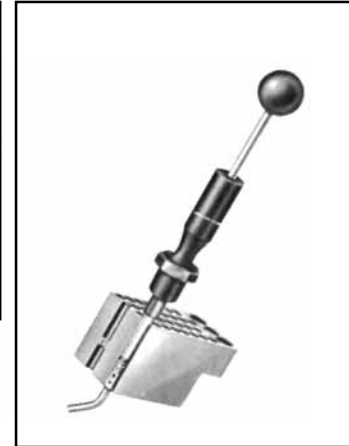
Winchester

62 Barnes Industrial Road North, Wallingford, Connecticut 06492 Phone:(203)741-5400 Fax:(203)741-5500 www.winchesterelectronics.com



SREC 14SN

SREC 14PNH13



Tool 107-1012

The SREC series is the first family of subminiature crimp contact rack and panel connectors. While retaining all of the important features of true connector miniaturization, the SREC offers .030 diameter crimp (4 indents) type removable contacts with .094

center to center spacing. Contacts are precision machined to assure solid pin and socket reliability. Compact and light in weight, the SREC Series is especially suitable for aircraft, instrumentation, computer and portable equipment applications.

### SPECIFICATIONS

**Current Rating:** 5 amps

**No. of**

**Contacts:** 7, 11, 14, 18, 20, 26, 34, 44, 50

**Pin Contacts:** .030 dia. 4 indent crimp. Leaded commercial bronze, gold plated.

**Socket**

**Contacts:** Phosphor bronze, gold plated.

**Termination**

**Types:** Crimp or .025 sq. wire wrap. Crimp contacts will accommodate #20-#28 AWG stranded wire.

**Dielectric:** Glass-filled diallyl phthalate per MIL-M-14, SDG-F.

**Electrical Data:** The dielectric withstanding voltage is one minute electrification at 1400 VAC.

**Jackscrews:** Long and short turning, passivated stainless steel. Anodized aluminum knurled knobs equipped with set screws for long turning jackscrews. Stainless steel knobs with groove pins for short turning jackscrews.

**Guides:** Type N is standard - brass for extra mechanical strength. Type K - beryllium copper for high electrical conductivity. Type NSS - stainless steel

**Hoods:** Top opening hoods are available in all sizes. Side opening available for SREC 50 only.

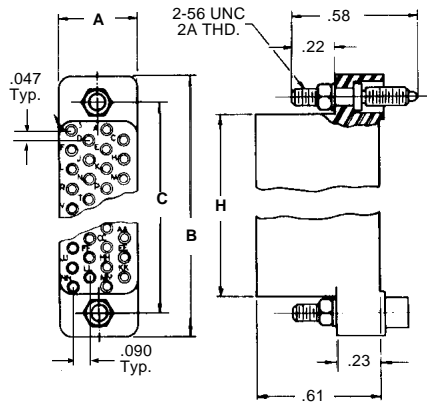
# Rack & Panel

## SREC Series

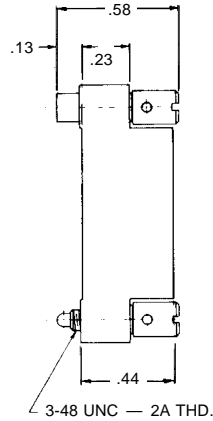
## Sub Miniature Rectangular, Removable Contacts

### OUTLINE

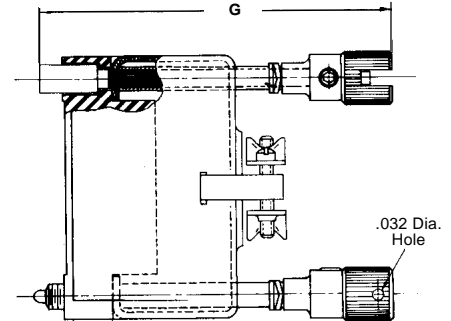
Dimensions are for reference only and are subject to change. Outline drawings on request.



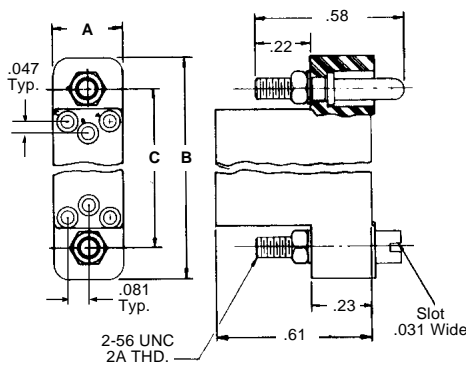
SREC-SJ



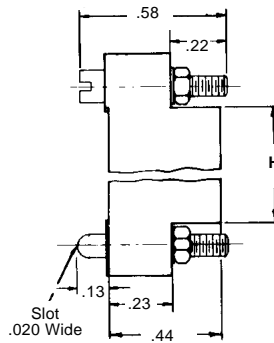
SREC-PJT



SREC-JTCH13



SREC-SN/K



SREC-PN/K

### DIMENSIONS

DIMENSION CHART

No. of Contacts	A	B	C	G	H
7	.20	.78	.56	1.67	.41
14	.28	.88	.63	1.67	.50
20	.28	1.06	.81	1.67	.69
26	.28	1.25	1.000	1.67	.88
34	.39	1.25	1.03	1.67	.88
50	.39	1.63	1.40	2.45	1.25

SREC 11, 18 and 44 outline drawings on request

### PHYSICAL DATA

Weight in Ounces (w/o contacts)		SREC 7	SREC 14	SREC 20	SREC 26	SREC 34	SREC 50
	Plug		.03	.05	.07	.08	.12
Plug		.04	.06	.08	.09	.15	.20
Component Parts		Guide Pin	Guide Socket	L Washer (2)	Nut (2)		
Weight in Ounces		.02	.02	.007	.01		

### CONTACTS

Part No.	Contact Type	Wire Size (Stranded)	Dimensions				Current Rating
			A	B	C	D	
100-4024P	P (Male)	24-26-28	—	.56	.028	.055	5 Amp
100-4024S	S (Female)	24-26-28	.55	—	.028	.055	
100-4020P	P (Male)	20-22	—	.50	.046	—	
100-4020S	S (Female)	20-22	.48	—	.046	—	

Polarizing Pin: Brass, Gold Plated, Part No. 109-8565

Winchester

62 Barnes Industrial Road North, Wallingford, Connecticut 06492 Phone:(203)741-5400 Fax:(203)741-5500 www.winchesterelectronics.com

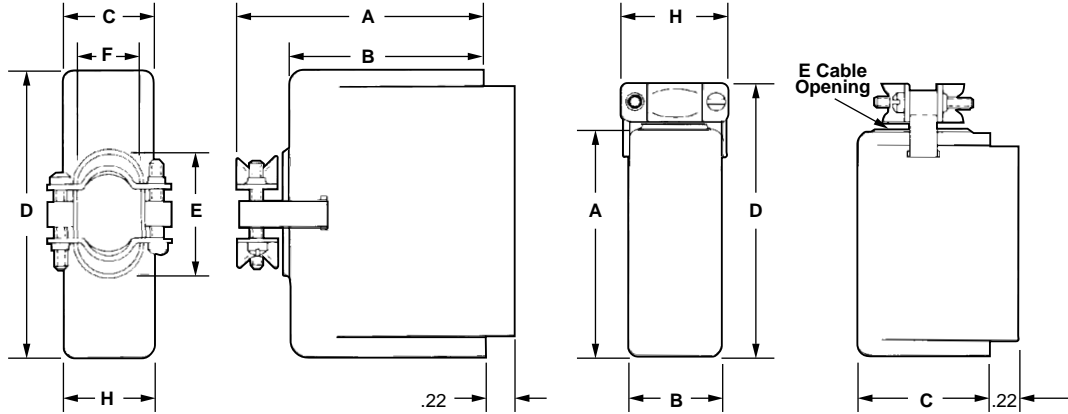
# Rack & Panel

## SREC Series

## Sub Miniature Rectangular, Removable Contacts

### OUTLINE FORMED ALUMINUM HOODS

Dimensions are for reference only and are subject to change. Outline drawings on request.



### DIMENSIONS

#### SRE/SREC Large Top Opening Hoods

Code No.*	Dimensions				Cable Opening		H	Fits Connector
	A	B	C	D	E	F		
SRE7H13	1.02	.75	.25	.78	.22	.16	.53	SRE 7 P/S SREC 7 P/S
SRE14H13	1.02	.75	.34	.88	.38	.25	.53	SRE 14 P/S SREC 14 P/S
SRE20H13	1.02	.75	.34	1.06	.38	.25	.53	SRE 20 P/S SREC 20 P/S
SRE26H13	1.02	.75	.34	1.25	.41	.25	.53	SRE 26 P/S SREC 26 P/S
SRE34H13	1.05	.75	.45	1.25	.73	.38	.63	SRE 34 P/S SREC 34 P/S
SRE50H8	1.80	1.50	.45	1.63	1.19	.38	.63	SRE 50 P/S SREC 50 P/S

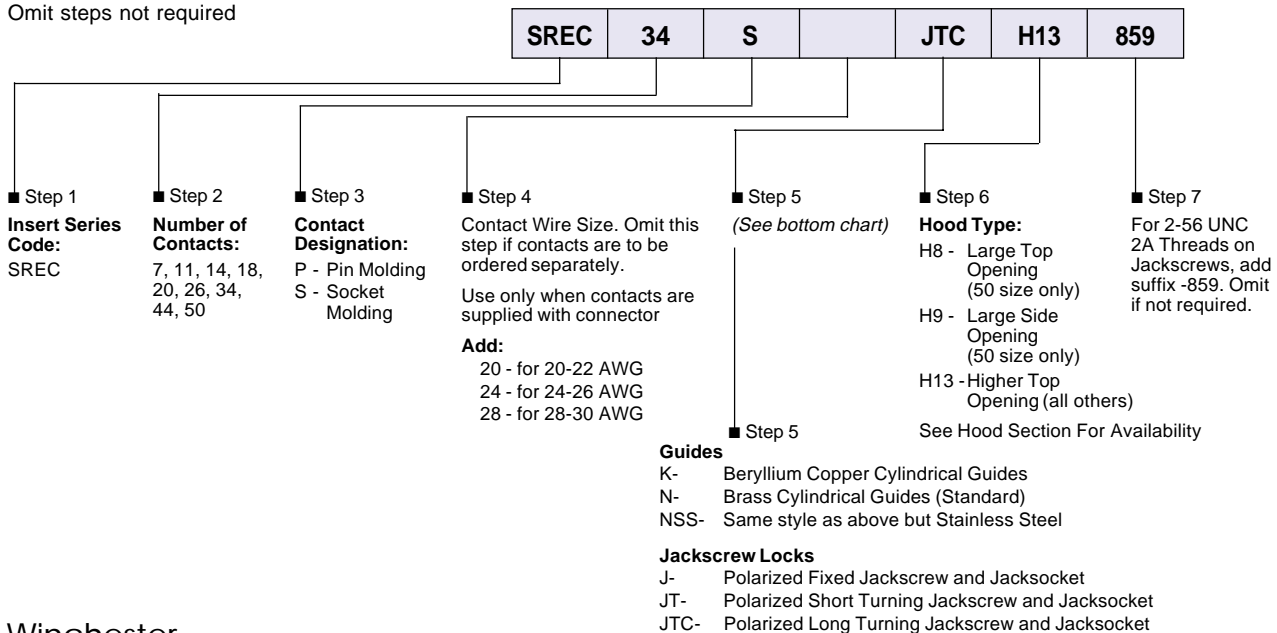
#### SRE/SREC Large Side Opening Hoods

Code No.*	A	B	C	D	E	H	Fits Connector
SRE50H9	1.63	.45	1.50	1.92	1.19 x .38	.63	SRE 50 P/S SREC 50 P/S

\* Code numbers shown are for use with guides.  
For use with jackscrews, add J or JTC to hood part number.

### ORDERING INFORMATION

Omit steps not required



Winchester

62 Barnes Industrial Road North, Wallingford, Connecticut 06492 Phone:(203)741-5400 Fax:(203)741-5500 www.winchesterelectronics.com



# Rack & Panel

## 42 Series

### Panel Mount Miniature

### 22 AWG - .030" Diameter - 5 Amps



#### TERMINATION TYPES

<b>Dip Solder:</b>	.125" or .156" standard lengths with other lengths available on special order.	<b>Solder Cup:</b>	Accommodates up to #22 AWG stranded wire.
<b>Grid Spacing:</b>	.100" x .100" grid 50 or 74 contact positions on .100" centers in 3 rows. Two outboard rows for 25 contacts each. Center row either for 24 additional contacts or polarizing pins in specified positions.	<b>Crimp Removable:</b>	Crimp contacts available for #20 through #30 AWG stranded wire. Designed for four indent crimp. See crimp tooling.

#### POLARIZATION

Available in 50 contact configuration only. Choice of any combination of 24, center positions. Specify polarizing positions required. Positions top to bottom are: A, B, C,	D, E, F, H, J, K, L, M, N, P, R, S, T, U, V, W, X, Y, Z, a.b. When 74 contacts are required no polarization other than hardware polarization is available.
---	---

#### SPECIFICATIONS

<b>Current Rating:</b> 5.0 amps.	<b>Dielectric:</b> Minimum withstanding voltage is one minute electrification at 1200 VAC.
<b>Pin Contacts:</b> .030" dia. gold plated brass conforming to specification QQ-B-626.	<b>Polarization:</b> Polarizing pins may be used in any combination in center row.
<b>Socket Contacts:</b> Gold plated phosphor bronze.	<b>Jackscrews:</b> Passivated stainless steel, anodized aluminum knobs.
<b>Termination Types:</b> Solder cup, dip solder and crimp removable contacts.	<b>Hoods:</b> Anodized aluminum, top opening only.
<b>Housing Material:</b> Red diallyl phthalate for Dip Solder and Solder Cup Housings. Green diallyl phthalate for Crimp Removable Housings	

#### CRIMP TOOLING

<b>Automatic Crimping Machine:</b> Cat. No. 107-0952.	<b>Contact Removal Tool:</b> Cat. No. 107-1012.
<b>Hand Crimping Tool:</b> Cat. No. 107-0616.	<b>Contact Insertion Tool:</b> Cat. No. 107-1011.
<b>Locator:</b> Cat. No. 107-0617.	

Winchester

62 Barnes Industrial Road North, Wallingford, Connecticut 06492 Phone:(203)741-5400 Fax:(203)741-5500 www.winchesterelectronics.com

# Rack & Panel

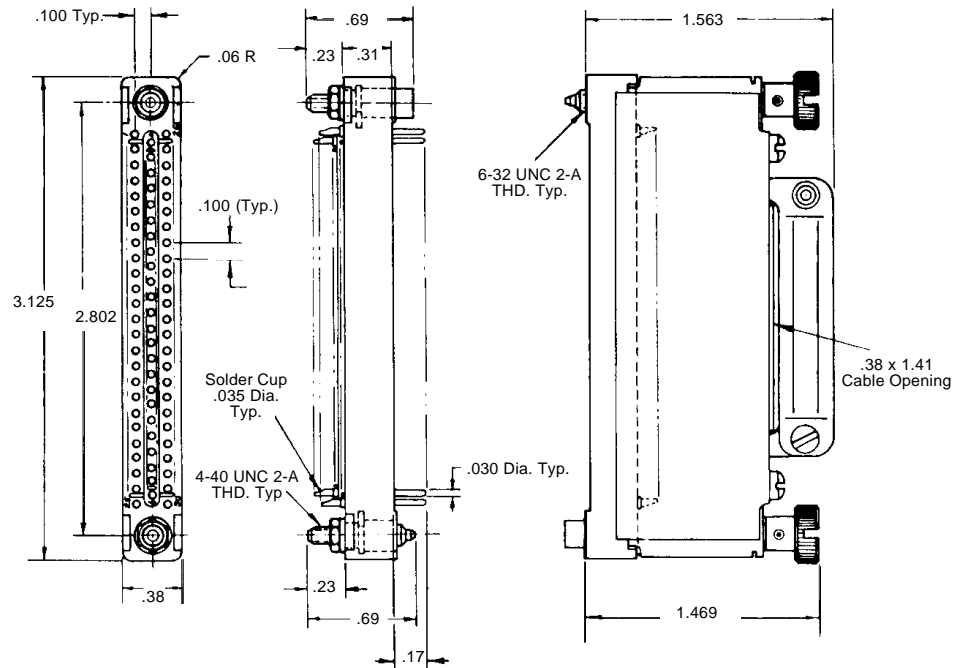
## 42 Series

## Panel Mount Miniature

## 22 AWG - .030" Diameter - 5 Amps

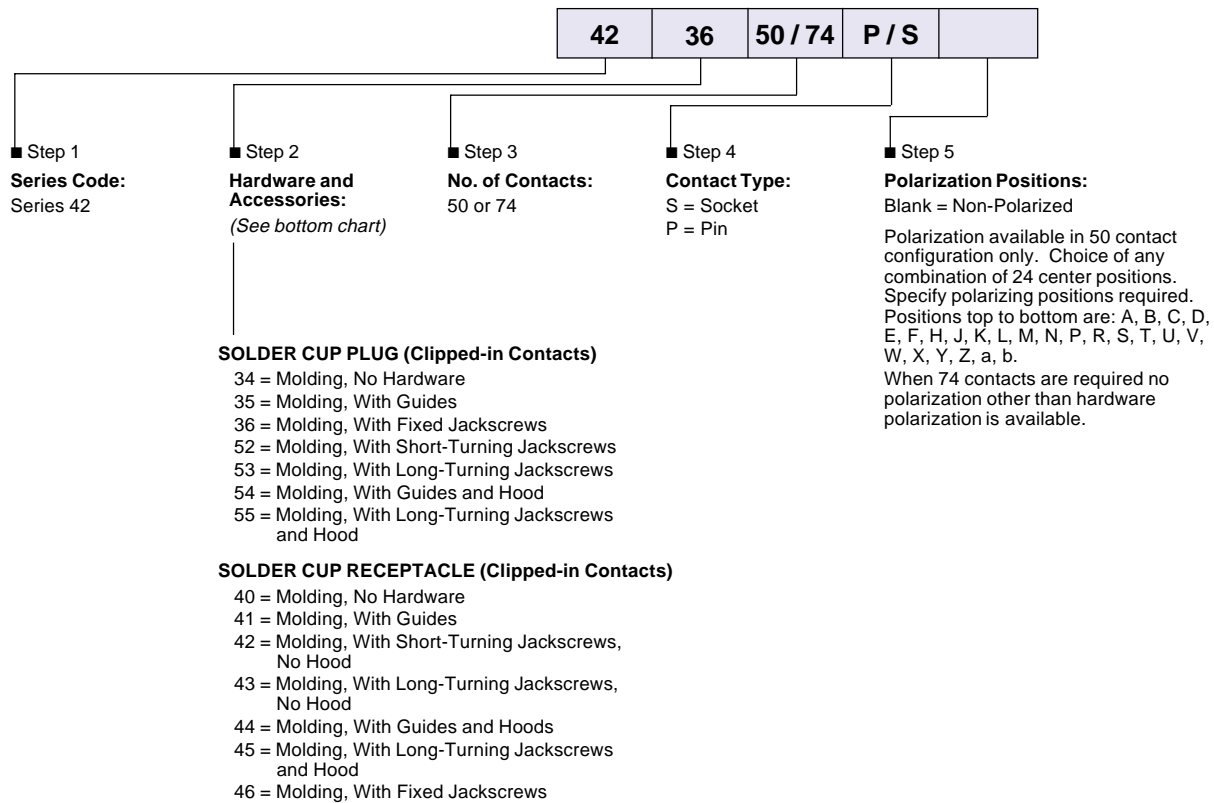
### OUTLINE

Dimensions are for reference only and are subject to change. Outline drawings on request.



Solder Cup, Clipped-in Contacts

### ORDERING INFORMATION



Winchester

62 Barnes Industrial Road North, Wallingford, Connecticut 06492 Phone:(203)741-5400 Fax:(203)741-5500 www.winchesterelectronics.com

# Rack & Panel

## 42 Series

## Panel Mount Miniature

## 22 AWG - .030" Diameter - 5 Amps

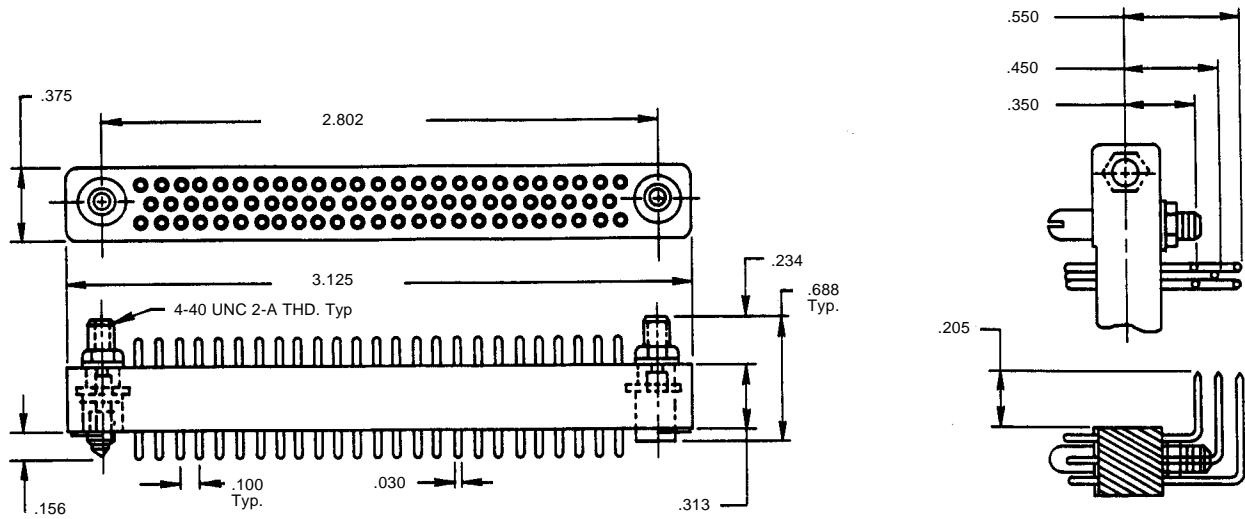
### OUTLINE

Dimensions are for reference only and are subject to change. Outline drawings on request.

### Dip Solder Receptacle

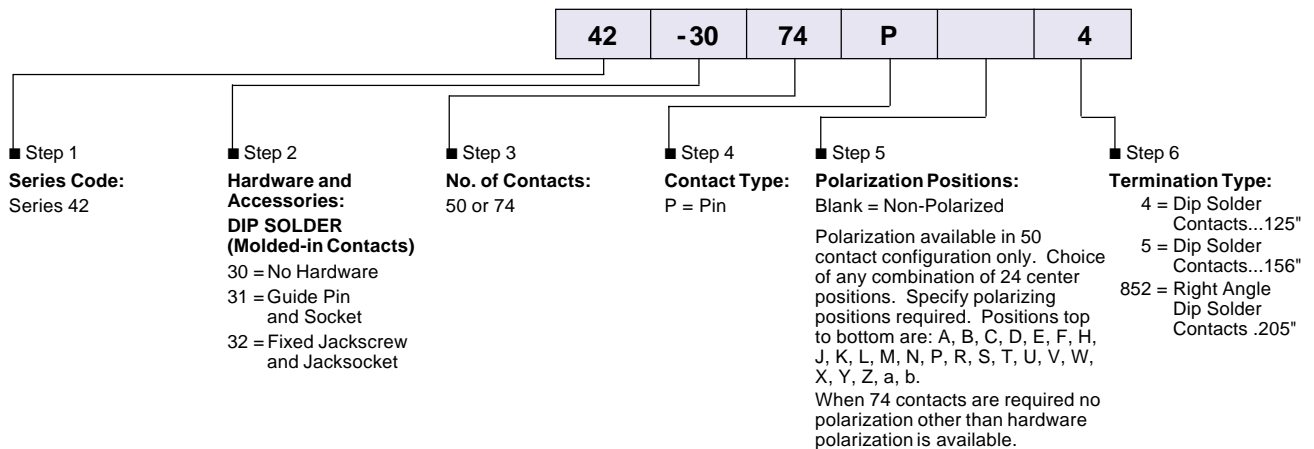
Shown:

74 contact right angle configuration. Center row eliminated for 50 contact connector.



Dip Solder, Molded-in Contacts

### ORDERING INFORMATION



Winchester

62 Barnes Industrial Road North, Wallingford, Connecticut 06492 Phone:(203)741-5400 Fax:(203)741-5500 www.winchesterelectronics.com

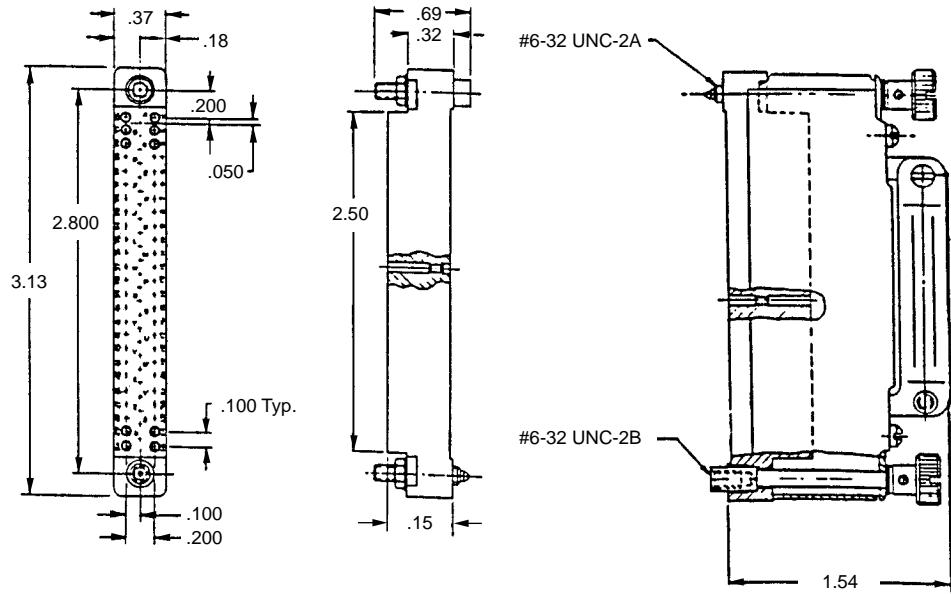
# Rack & Panel

## 42 Series

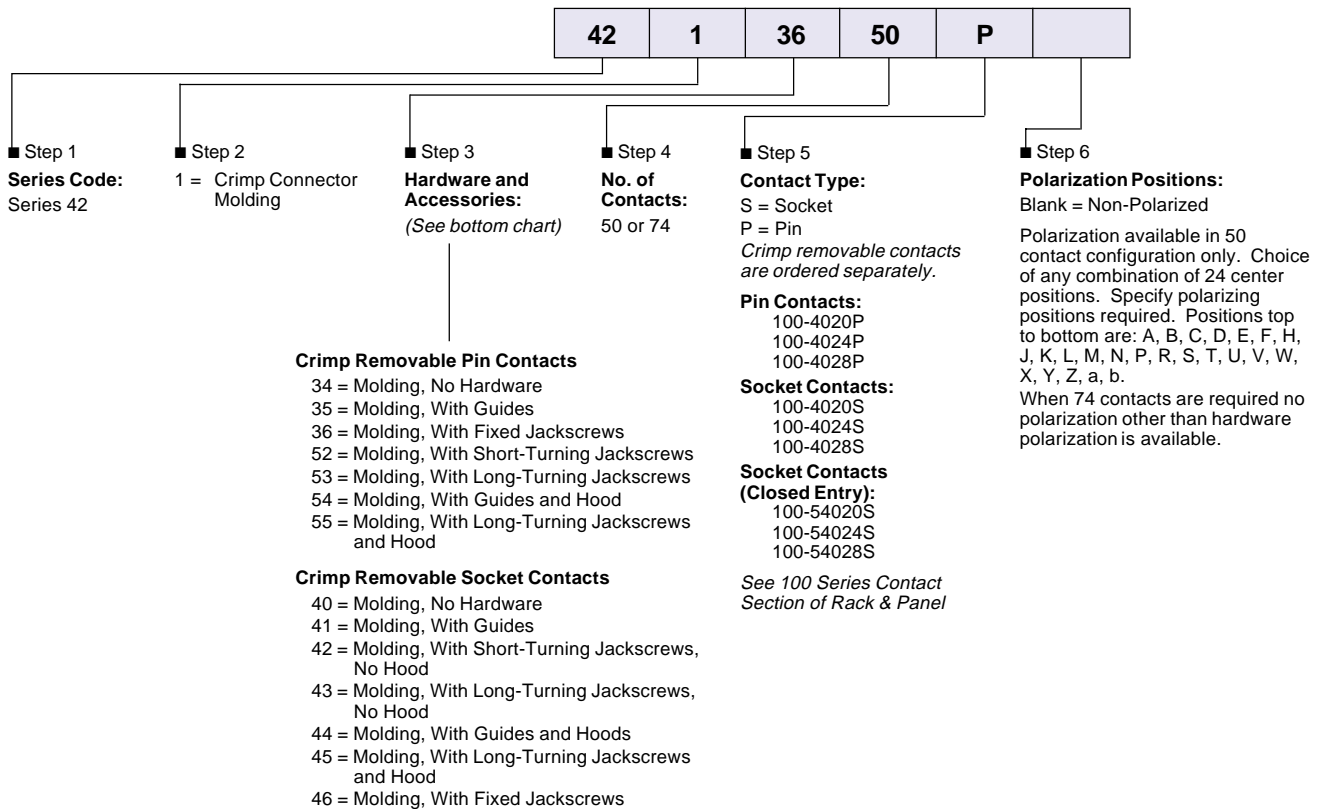
## Panel Mount Miniature

### 22 AWG - .030" Diameter - 5 amps

### OUTLINE



### ORDERING INFORMATION



Winchester

62 Barnes Industrial Road North, Wallingford, Connecticut 06492 Phone:(203)741-5400 Fax:(203)741-5500 www.winchesterelectronics.com

# Rack & Panel

## SRM Series

## Sub Miniature Rectangular #20 Contacts / .040" Dia. / 7.5 Amps

SRM Series connectors are particularly suitable where current rating and voltage drop require-

ments dictate a larger wire size than can be used with other subminiature connectors.



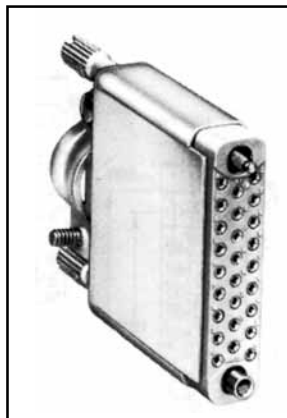
XSRM14PNSS2500



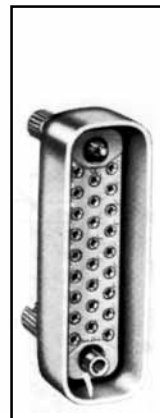
XSRM14PNSS1000



SRM14SNSS0000



SRM26SCO300



XSRM26SM2000



SRM26PF0000

## SPECIFICATIONS

**Current Rating:** 7.5 Amps

**No. of**

**Contacts:** 5, 7, 11, 14, 20, 26, 34, 50, 75, 104

**Pin Contacts:** .040 dia. brass, gold plated.

**Socket**

**Contacts:** Phosphor, bronze, gold plated.

**Termination**

**Types:**

.048 dia. solder cups will accept up to #20 AWG stranded wire. Dip Solder Contacts, .030 dia. Check Sales Dept. for available lengths.

**Electrical Data:** Minimum dielectric withstanding voltage is one minute at 1500 VAC when tested in accordance with MIL-C-28748.

**Dielectric:**

Glass-filled diallyl phthalate - grey- per MIL-M-14, SDG-F.

**Guides:**

NSS Type, stainless steel; or N Type, brass.

**Jackscrews:**

Stainless steel with knurled and slotted aluminum knobs.

**Hoods:**

Anodized aluminum. May be applied to either plug or receptacle. Both top and side openings are available.

**Shells:**

Polarized shells are available. SRM connector assembled with a shell changes part number from SRM \_\_\_\_\_ to XSRM \_\_\_\_\_.

Winchester.

62 Barnes Industrial Road North, Wallingford, Connecticut 06492 Phone:(203)741-5400 Fax:(203)741-5500 www.winchesterelectronics.com

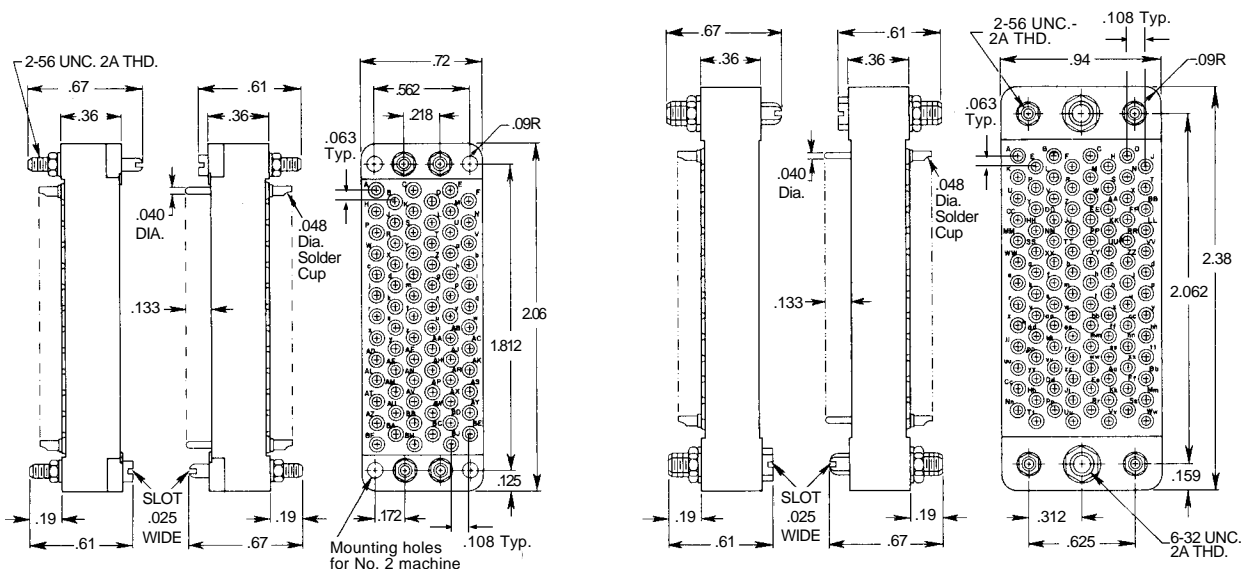
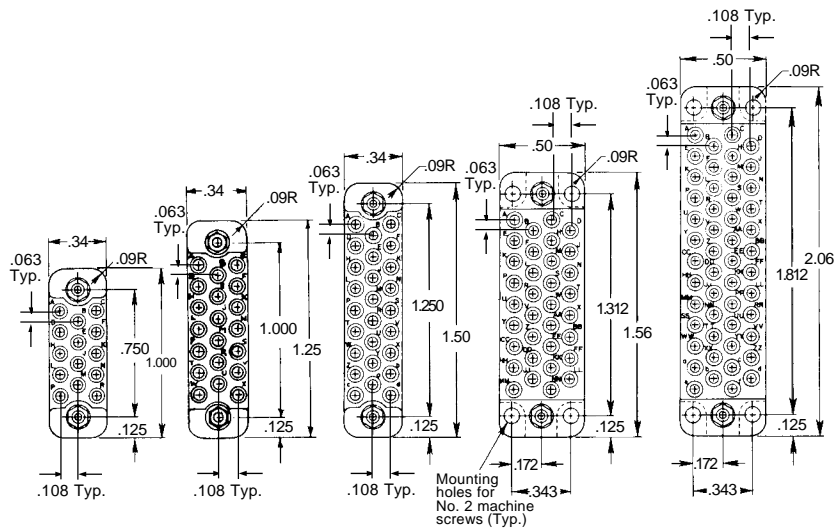
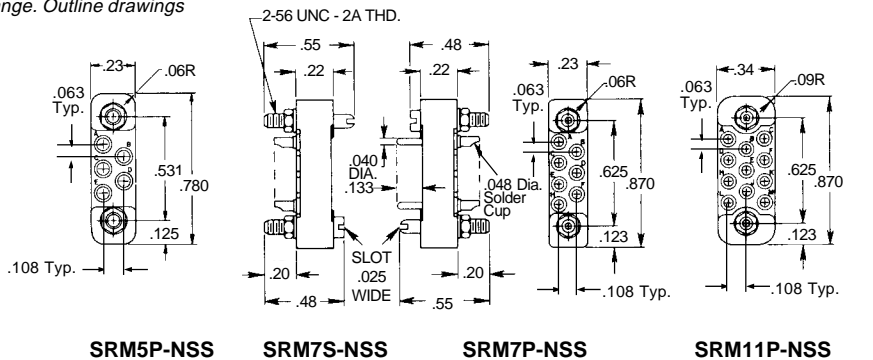
# Rack & Panel

## SRM Series

## Sub Miniature Rectangular #20 Contacts / .040" Dia. / 7.5 Amps

### CONTACT ARRANGEMENTS

Dimensions are for reference only and are subject to change. Outline drawings on request.



Winchester.

62 Barnes Industrial Road North, Wallingford, Connecticut 06492 Phone:(203)741-5400 Fax:(203)741-5500 www.winchesterelectronics.com



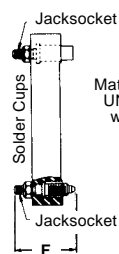
# Rack & Panel

## SRM Series

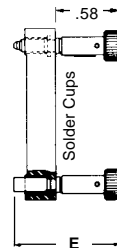
## Sub Miniature Rectangular #20 Contacts / .040" Dia. / 7.5 Amps

### OUTLINE JACKSCREWS & JACKSOCKETS

Dimensions are for reference only and are subject to change. Outline drawings on request.

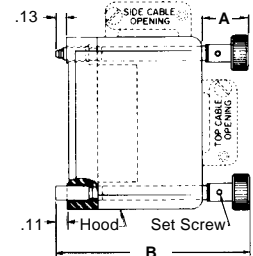


Mating thread size 2-56 UNC except size 104 which is 6-32 UNC.



AND

Mating connector half with turnable Jackscrews-with-Knobs Code designation M



OR

Mating connector half with Hood and turnable Long Jackscrews-with-Knobs Code designation C-0300, C-0400

Connector with fixed Jackscrews Code designation F

Jackscrew locking device assures positive coupling of engaged connectors to prevent accidental disconnecting from vibration or physical shock. It also aids easy connection and separation of connector plug and receptacle. Mounted connector-half houses one non-turnable fixed jackscrew and jacksocket to insure connector polarization. Mating-half houses one of the two types of turning jackscrew and jacksocket (M or C) Turnable jackscrew-jacksocket combination (M or C) assembles on either Plug or

Receptacle, the mating connector-half (either Receptacle or Plug) must then contain fixed jackscrew-jacksocket combination (F).

Both short and long turning jackscrews (M and C) have knurled and slotted knobs for locking by hand or screwdriver. Knob is assembled on shaft with a socket setscrew. Safety wiring of engaged halves is achieved by using the through-holes.

Drawings show extension of standard knobs beyond hood.

### DIMENSIONS

Standard Connector Size	Long Turning Code "C"		Short Turning Code "M"	Fixed Jacks Code "F"
	0300	0300X	E	F
	A	B		
SRM 5	—	—	.92	.53
SRM 7	—	1.28	.92	.53
SRM 11	—	1.84	.92	.53
SRM 14	—	1.84	.92	.53
SRM 20	—	2.09	.92	.53
SRM 26	.56	2.09	.92	.53
SRM 34	.56	2.09	.92	.53
SRM 50	.56	2.09	.92	.53
SRM 75	.56	2.23	1.06	.67
SRM 104	.56	2.80	1.06	.67

### CODES

Note: Jackscrews and jacksockets are stainless steel with passivating dip. Knob is anodized aluminum.

TYPE		Code Letter
Jackscrew Jacksocket	Fixed	F
Jackscrew Jacksocket	Short Turnable	M
Jackscrew Jacksocket	Long Turnable	C
Knob	Standard	—

Winchester

62 Barnes Industrial Road North, Wallingford, Connecticut 06492 Phone:(203)741-5400 Fax:(203)741-5500 www.winchesterelectronics.com

# Rack & Panel

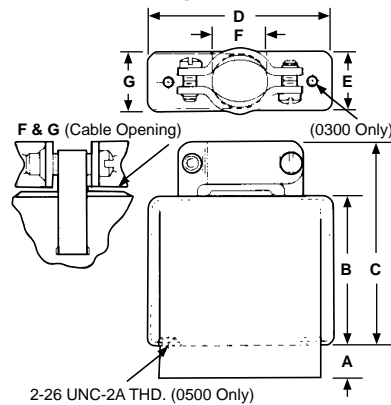
## SRM Series

## Sub Miniature Rectangular #20 Contacts / .040" Dia. / 7.5 Amps

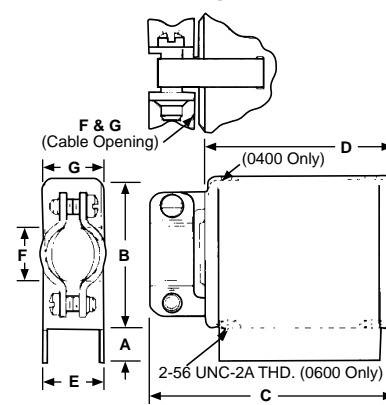
### HOODS - FORMED ALUMINUM

Dimensions are for reference only and are subject to change. Outline drawings on request.

#### Top Cable Opening Hoods



#### Side Cable Opening Hoods



#### 0300X Cable Clamp

0300X Hood is identical to 0300 Hood except for cable clamp style and cable opening in the hood.

#### 0400X Cable Clamp

0400X Hood is identical to 0400 Hood except for cable clamp style and cable opening in the hood.

### DIMENSIONS

#### Top Cable Opening Hoods

Code No.	Dimensions							Cable Opening		Code No.	Dimensions							Cable Opening	
	A*	B	C	D	E	F	G	F	G		A*	B	C	D	E	F	G	F	G
SRM 7-0300X	.16	.38	.67	.88	.30	.36	.23			SRM 34-0300	.16	1.19	1.63	1.56	.56	.63	.5		
SRM 7-0500	.16	.38	.69	.88	.30	.30	.23			SRM 34-0300X	.16	1.19	1.67	1.56	.56	.81	.5		
SRM 7-0500X	.16	.38	.67	.88	.30	.36	.23			SRM 34-0500	.16	1.19	1.63	1.56	.56	.63	.5		
SRM 11-0300X	.16	.94	1.23	.88	.41	.47	.34			SRM 34-0500X	.16	1.19	1.67	1.56	.56	.81	.5		
SRM 11-0500	.16	.94	1.25	.88	.41	.44	.34			SRM 50-0300	.16	1.19	1.63	2.06	.56	.66	.5		
SRM 11-0500X	.16	.94	1.23	.88	.41	.47	.34			SRM 50-0300X	.16	1.19	1.67	2.06	.56	.88	.5		
SRM 14-0300X	.16	.94	1.23	1	.41	.5	.34			SRM 50-0500	.16	1.19	1.63	2.06	.56	.66	.5		
SRM 14-0500	.16	.94	1.25	1	.41	.44	.34			SRM 50-0500X	.16	1.19	1.67	2.06	.56	.88	.5		
SRM 14-0500X	.16	.94	1.23	1	.41	.5	.34			SRM 75-0300	.16	1.19	1.63	2.06	.78	.63 Dia.			
SRM 20-0300X	.16	1.19	1.67	1.25	.41	.72	.34			SRM 75-0300X	.16	1.19	1.72	2.06	.78	.91	.72		
SRM 20-0500	.16	1.19	1.63	1.25	.41	.34	.72			SRM 75-0500	.16	1.19	1.63	2.06	.78	.63 Dia.			
SRM 20-0500X	.16	1.19	1.67	1.25	.41	.72	.34			SRM 75-0500X	.16	1.19	1.72	2.06	.78	.91	.72		
SRM 26-0300	.16	1.19	1.63	1.5	.41	.56	.34			SRM 104-0300	.16	1.75	2.28	2.38	1	1.06	.94		
SRM 26-0300X	.16	1.19	1.63	1.5	.41	.91	.34			SRM 104-0300X**	.16	1.75	2.52	2.38	1	.86	1.36		
SRM 26-0500	.16	1.19	1.63	1.5	.41	.56	.34			SRM 104-0500	.16	1.75	2.28	2.38	1	1.06	.94		
SRM 26-0500X	.16	1.19	1.63	1.5	.41	.91	.34			SRM 104-0500X**	.16	1.75	2.52	2.38	1	.86	1.36		

Hoods may be ordered separately (see code numbers in above tables) or assembled on connectors. If desired assembled to connectors, see Code Numbering System for complete catalog number.

Prefix hood code numbers with "X" for use with shells. Example: XSRM34-0300

#### Side Cable Opening Hoods

Code No.	Dimensions							Cable Opening		Code No.	Dimensions							Cable Opening	
	A*	B	C	D	E	F	G	F	G		A*	B	C	D	E	F	G	F	G
SRM 11-0400	.16	.94	1.19	.88	.41	.44	.34			SRM 34-0400	.16	1.19	2	1.56	.56	.63	.5		
SRM 11-0400X	.16	.94	1.17	.88	.41	.34	.47			SRM 34-0400X	.16	1.19	2.03	1.56	.56	.81	.5		
SRM 11-0600	.16	.94	1.19	.88	.41	.44	.34			SRM 34-0600	.16	1.19	2	1.56	.56	.63	.5		
SRM 11-0600X	.16	.94	1.17	.88	.41	.34	.47			SRM 34-0600X	.16	1.19	2.03	1.56	.56	.81	.5		
SRM 14-0400	.16	.94	1.31	1	.41	.44	.34			SRM 50-0400	.16	1.19	2.5	2.06	.56	.66	.5		
SRM 14-0400X	.16	.94	1.30	1	.41	.5	.34			SRM 50-0400X	.16	1.19	2.53	2.06	.56	.88	.5		
SRM 14-0600	.16	.94	1.31	1	.41	.44	.34			SRM 50-0600	.16	1.19	2.5	2.06	.56	.66	.5		
SRM 14-0600X	.16	.94	1.30	1	.41	.5	.34			SRM 50-0600X	.16	1.19	2.53	2.06	.56	.88	.5		
SRM 20-0400	.16	1.19	1.69	1.25	.41	.56	.34			SRM 75-0400	.16	1.19	2.5	2.06	.78	.63 Dia.			
SRM 20-0400X**	.16	1.19	1.73	1.25	.41	.72	.34			SRM 75-0400X	.16	1.19	2.58	2.06	.78	.91	.72		
SRM 20-0600	.16	1.19	1.69	1.25	.41	.56	.34			SRM 75-0600	.16	1.19	2.5	2.06	.78	.63 Dia.			
SRM 20-0600X**	.16	1.19	1.73	1.25	.41	.72	.34			SRM 75-0600X	.16	1.19	2.58	2.06	.78	.91	.72		
SRM 26-0400	.16	1.19	1.94	1.5	.41	.56	.34			SRM 104-0400	.16	1.75	2.91	2.38	1	1.06	.94		
SRM 26-0400X	.16	1.19	1.94	1.5	.41	.91	.34			SRM 104-0400X	.16	1.75	2.91	2.38	1	1.44	.94		
SRM 26-0600	.16	1.19	1.94	1.5	.41	.56	.34			SRM 104-0600	.16	1.75	2.91	2.38	1	1.06	.94		
SRM 26-0600X	.16	1.19	1.94	1.5	.41	.91	.34			SRM 104-0600X	.16	1.75	2.91	2.38	1	1.44	.94		

\*Note: This dimension does not apply when shells are used. Tab is removed.

\*\*Request availability information.

Winchester

62 Barnes Industrial Road North, Wallingford, Connecticut 06492 Phone:(203)741-5400 Fax:(203)741-5500 www.winchesterelectronics.com

# Rack & Panel

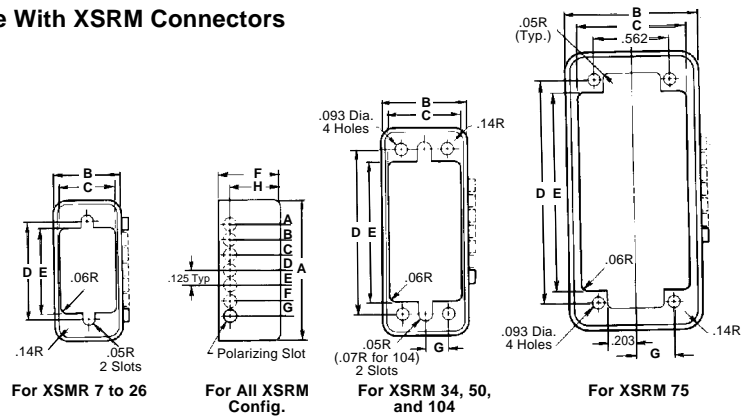
## SRM Series

## Sub Miniature Rectangular #20 Contacts / .040" Dia. / 7.5 Amps

### PLUG SHELLS

Dimensions are for reference only and are subject to change. Outline drawings on request.

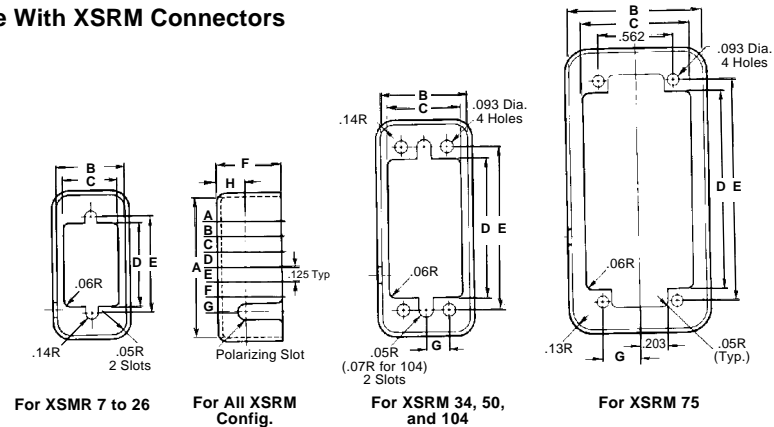
#### For Use With XSRM Connectors



### RECEPTACLE SHELLS

Dimensions are for reference only and are subject to change. Outline drawings on request.

#### For Use With XSRM Connectors



### MATERIAL

Shells are .031 thick aluminum, anodized for protection against corrosion. Either style - plug or receptacle - may be used to house a female insert, thus allowing "live" socket contacts to be cable or panel mounted.

Shells also provide a means by which connector polarization is accomplished - receptacle shell is slotted for engaging a polarizing pin on plug shell. Non-polarized shells have the slot and pin omitted.

### POLARIZATION

The shell part numbers given in table show an asterisk (\*) where the code letter for the desired polarizing position belongs - example: XSRM14-2\*000 becomes XSRM14-2B000

when polarization in position "B" is desired. Specify the same position on the mating shell. For non-polarized shells, merely omit this position, e.g. XSRM14-2000.

Shell Size	Available Polarization Positions	Shell Size	Available Polarization Positions
7	A,B,C,D	34	A,B,C,D,E,F,G
11	A,B,C,D	50	A,B,C,D,E,F,G
14	A,B,C,D,E	75	A,B,C,D,E,F,G
20	A,B,C,D,E,F,G	104	A,B,C,D,E,F,G
26	A,B,C,D,E,F,G		

### DIMENSIONS

#### Plug Shells ( .031" thick)

Shell Part No. (if ordered separately)	Dimensions							
	A	B	C	D	E	F	G	H
XSRM 7-1*000	.97	.33	.23	.625	.53	.44	-	.31
XSRM 11-1*000	.97	.44	.34	.625	.53	.44	-	.31
XSRM 14-1*000	1.11	.44	.34	.750	.67	.44	-	.31
XSRM 20-1*000	1.34	.44	.34	1.00	.94	.44	-	.31
XSRM 26-1*000	1.61	.44	.34	1.250	1.16	.44	-	.31
XSRM 34-1*000	1.66	.61	.5	1.312	1.16	.44	.172	.31
XSRM 50-1*000	2.16	.83	.5	1.812	1.66	.44	.172	.31
XSRM 75-1*000	2.16	.81	.72	1.812	1.66	.58	.281	.45
XSRM 104-1*000	2.48	1.05	.94	2.062	1.81	.58	.312	.45

#### Receptacle Shells ( .031" thick)

Shell Part No. (if ordered separately)	Dimensions							
	A	B	C	D	E	F	G	H
XSRM 7-2*000	1	.36	.23	.625	.53	.44	-	.19
XSRM 11-2*000	1	.47	.34	.625	.53	.44	-	.19
XSRM 14-2*000	1.13	.47	.34	.750	.67	.44	-	.19
XSRM 20-2*000	1.38	.47	.34	1.00	.94	.44	-	.19
XSRM 26-2*000	1.63	.47	.34	1.250	1.16	.44	-	.19
XSRM 34-2*000	1.69	.63	.5	1.312	1.16	.44	.172	.19
XSRM 50-2*000	2.19	.63	.5	1.812	1.66	.44	.172	.19
XSRM 75-2*000	2.19	.84	.72	1.812	1.66	.58	.281	.33
XSRM 104-2*000	2.5	1.06	.94	2.062	1.81	.58	.312	.33

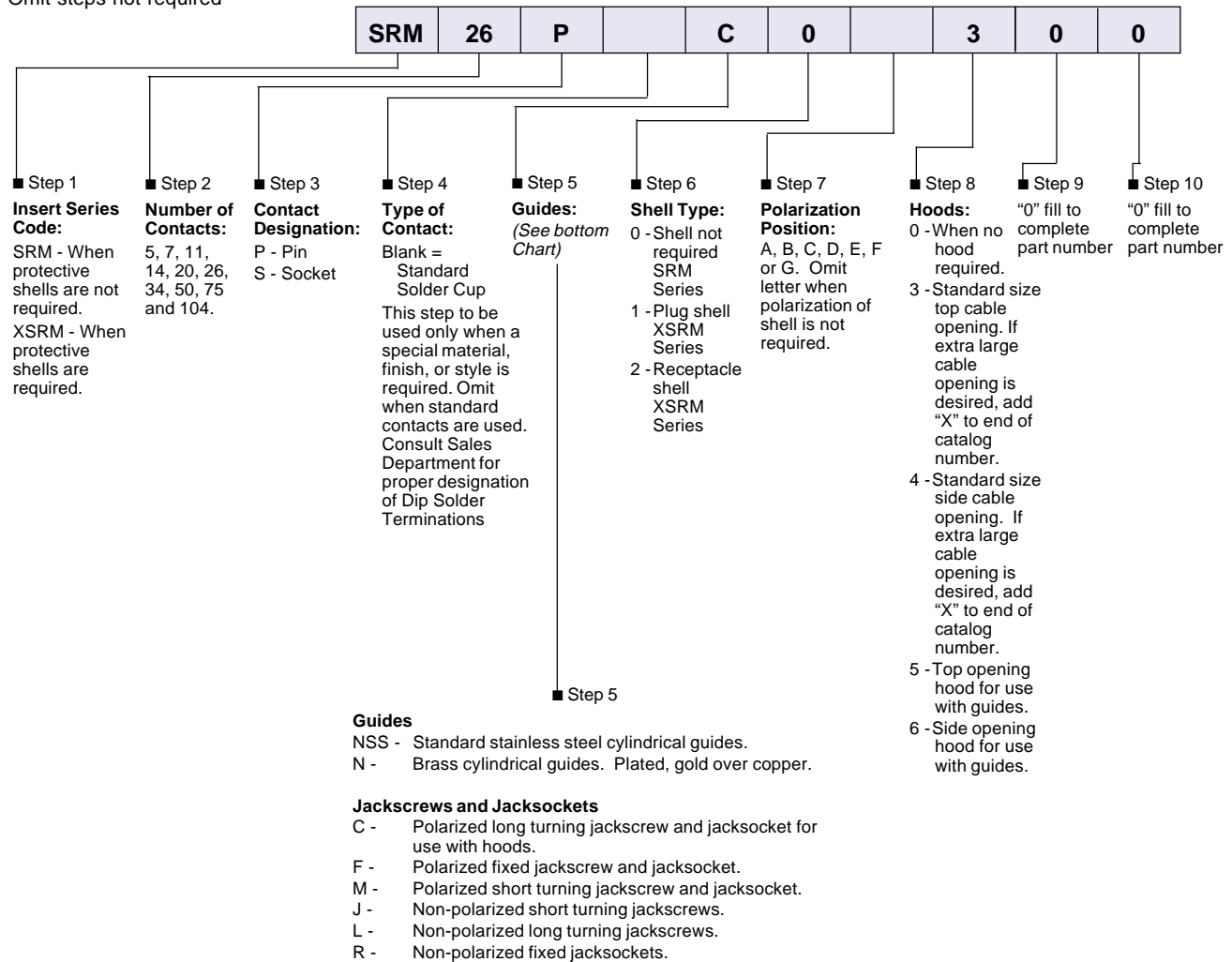
# Rack & Panel

## SRM Series

## Sub Miniature Rectangular #20 Contacts / .040" Dia. / 7.5 Amps

### ORDERING INFORMATION

Omit steps not required



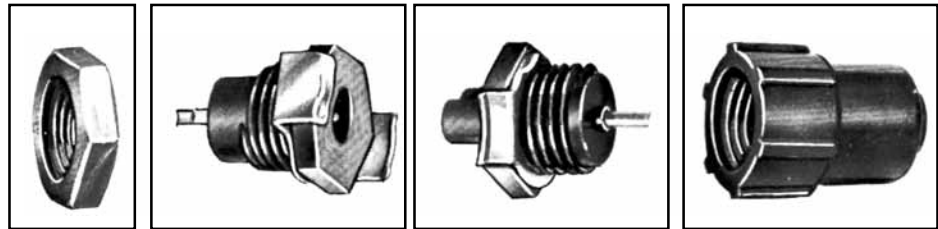
Winchester

62 Barnes Industrial Road North, Wallingford, Connecticut 06492 Phone:(203)741-5400 Fax:(203)741-5500 www.winchesterelectronics.com

# Rack & Panel

## PM1 Series

## High Voltage, Single Contact / #20 Contacts / .040" Dia. / 7.5 Amps



**N**  
Nylon Nut

**PM1SLR**  
Plug with lock ring

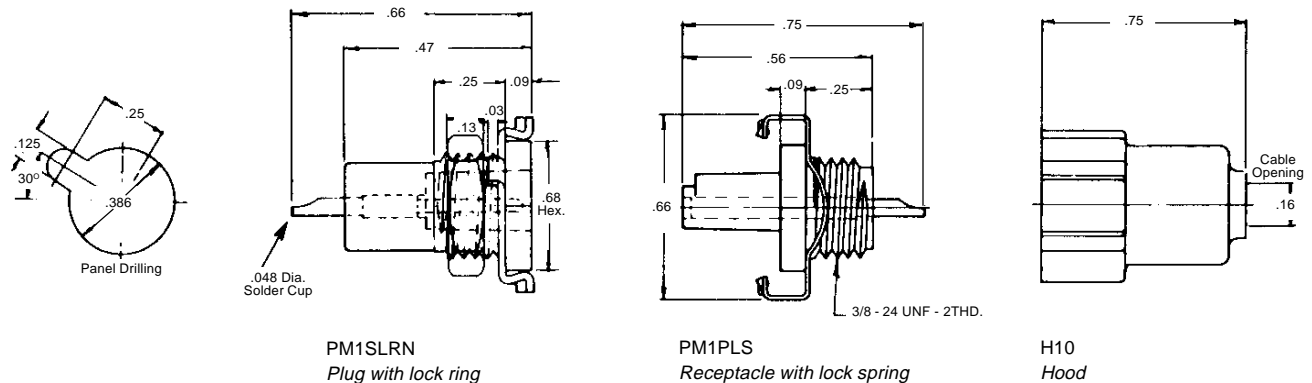
**PM1PLS**  
Receptacle with lock spring

**H10**  
Hood

This connector was developed for applications requiring moderately high voltage ratings, this single contact connector is particularly well adapted to Photo-Flash, Aircraft, Instrumentation and Communications Equipment.

### OUTLINE

Dimensions are for reference only and are subject to change. Outline drawings on request.



**PM1SLRN**  
Plug with lock ring

**PM1PLS**  
Receptacle with lock spring

**H10**  
Hood

### SPECIFICATIONS

**Current Rating:** 7.5 amps

**No. of Contacts:** 1

**Pin Contacts:** .040 dia. brass, gold plated

**Socket**

**Contacts:** Phosphor bronze, gold plated

**Terminations:** .048 solder cup will accept up to #20 AWG stranded wire.

**Electrical Data:** Dielectric withstanding voltage is one minute electrification at 5650 VAC.

**Dielectric:** Molded Diallyl phthalate per MIL-M-14, type SDG-F. Color Gray.

**Polarization:** Permits one engaging position only and prevents rotation of the plug and

receptacle with respect to each other.

**Mounting:** Cable or panel mounted. Use nylon nut applied to either plug or receptacle.

**Lock Ring (and lock spring):** Applied to plug or receptacle. Prevents connector rotation on panel and when engaged with lock spring, prevents accidental disconnection due to vibration, etc.

**Hood:** Diallyl Phthalate cable hood

**Weight in Ounces:**

Receptacle .05, Plug .05, Washer .005, Hood .07, Lock Ring .017, Lock Spring .019, Nut .015

### ORDERING INFORMATION

**PM1PLR-** Connector, plug with lock ring  
**PM1SLS-** Connector, receptacle with lock spring  
**PM1PLS-** Connector, plug with lock spring  
**PM1SLR-** Connector, receptacle with lock ring  
**PM1P-** Connector, plug without vibration lock  
**PM1S-** Connector, receptacle without vibration lock

\*Add **H10-** to above numbers when ordering hoods  
 \*Add **H10C-** to above numbers for hood with cable clamp  
 Add **N-** to above numbers when ordering nylon nut

\* When ordering hoods separately specify P/N **H10T34** or **H10CT34**

Winchester

62 Barnes Industrial Road North, Wallingford, Connecticut 06492 Phone:(203)741-5400 Fax:(203)741-5500 www.winchesterelectronics.com

# Rack & Panel

## PM6 Series

## High Voltage Miniature / #20 Contacts / .040" Dia. / 7.5 Amps



**N**  
Nylon Nut



**PM6SLR**  
Receptacle with lock ring



**PM6PLS**  
Plug with lock spring



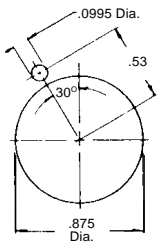
**PM6H**  
Hood

This connector was developed for applications requiring moderately high voltage ratings, this connector of minimum bulk and

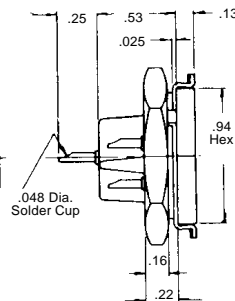
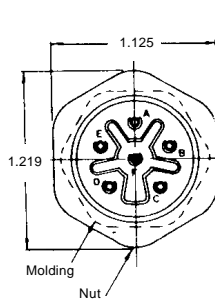
weight is particularly well adapted to Photo-Flash, Aircraft, Instrumentation and Communications Equipment.

### OUTLINE

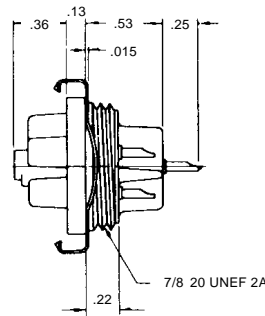
Dimensions are for reference only and are subject to change. Outline drawings on request.



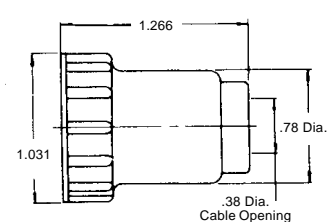
Panel Drilling



**PM6SLRN**  
Receptacle



**PM6PLS**  
Plug



**PM6H**  
Hood

### SPECIFICATIONS

**Current Rating:** 7.5 amps

**No. of Contacts:** 6

**Pin Contacts:** .040 dia. brass, gold plated

**Socket**

**Contacts:** Spring temper phosphor bronze, gold plated

**Terminations:** .048 dia. solder cup accepts up to #20 AWG stranded wire.

**Electrical Data:** Dielectric withstanding voltage is one minute electrification at 3560 VAC.

**Dielectric:** Molded Diallyl phthalate per MIL-M-14, type SDG-F. Color Gray.

**Polarization:** Body design makes it impossible to make connection except in proper position.

**Mounting:** Cable or panel mounted. Use nylon nut applied to either plug or receptacle.

**Lock Ring (and lock spring):** Prohibits connector rotation on panel mounting and when engaged with lock spring, prevents accidental disconnection due to vibration, etc.

**Hood:** Molded diallyl phthalate cable hood may be applied to either plug or receptacle.

### ORDERING INFORMATION

**PM6PLS-** Connector, plug with lock spring  
**PM6SLR-** Connector, receptacle with lock ring  
**PM6PLR-** Connector, plug with lock ring  
**PM6SLS-** Connector, receptacle with lock spring  
**PM6P-** Connector, plug without vibration lock  
**PM6S-** Connector, receptacle without vibration lock  
 Add **H-** to above numbers when ordering hoods  
 Add **N-** to above numbers when ordering nylon nut

Winchester

62 Barnes Industrial Road North, Wallingford, Connecticut 06492 Phone:(203)741-5400 Fax:(203)741-5500 www.winchesterelectronics.com



# Rack & Panel

## SM Series

## Sub Miniature / #20 - #24 Contacts / 3 And 7.5 Amps



**N**  
Nylon Nut



**SM2**  
Receptacle



**SM2P**  
Plug



**SMH**  
Hood

Extreme compactness and lightweight of these subminiature connectors make them ideal for limited space application in Aircraft. Portable Equipment and Instrumentation.

### SPECIFICATIONS

**Current Rating:** SM1 - 7.5 amps;  
SM2, SM3 - 3 amps

**No. of Contacts:** 1, 2, 3

**Pin Contacts:** SM1 - .040 dia. brass, gold plated  
SM2, SM3 - .025 dia. brass, gold plated

**Socket Contacts:** Phosphor bronze, gold plated

**Terminations:** SM1 - .048 dia. solder cup will accept up to #20 AWG stranded wire.  
SM2, SM3 - .037 dia. solder cup will accept up to #24 AWG stranded wire.

**Electrical Data:** Dielectric withstanding voltage is one minute electrification at 1200 VAC.

**Dielectric:** Diallyl Phthalate per MIL-M-14, type SDG-F. Color Gray.

**Polarization:** Body design allows engagement in only one position.

**Mounting:** Either plug or receptacle may be mounted on chassis or bulkhead with 1/4 - 28 cadmium plated brass nut. Add "N" to code number to order.

**Hood:** Cable hood may be applied to both plug and receptacle. Add "H" to code number. When ordering a hood separately, order P/N SMH.

### PHYSICAL AND ELECTRICAL DATA

Current Rating	Weight in Ounces		* Wire Range
	P.	R.	
SM1 - 7.5 Amp	.02	.02	SM1 - #20
SM2 - 3 Amp	.02	.02	SM2 - #24
SM3 - 3 Amp	.02	.02	SM3 - #24

\* Stranded

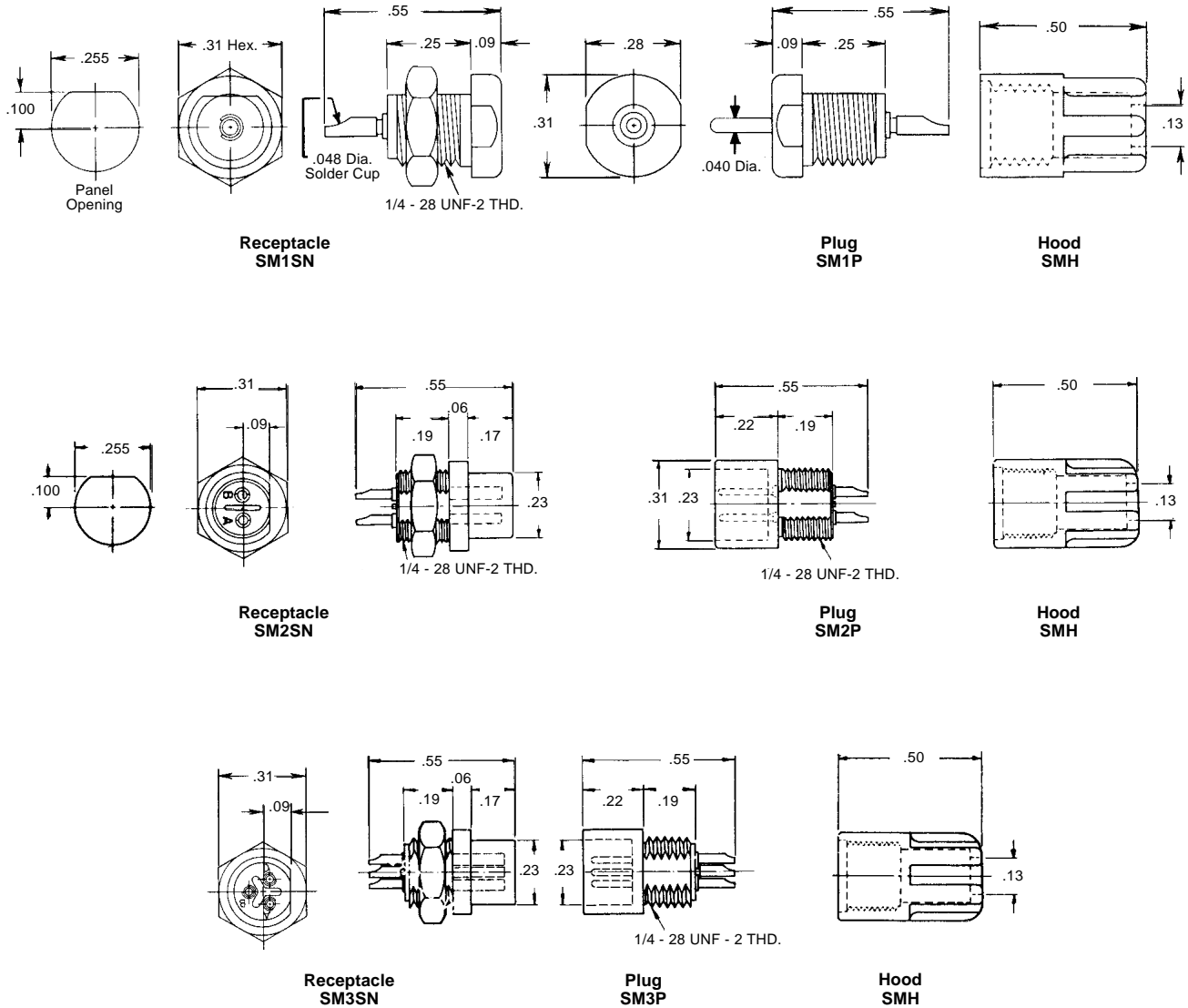
# Rack & Panel

## SM Series

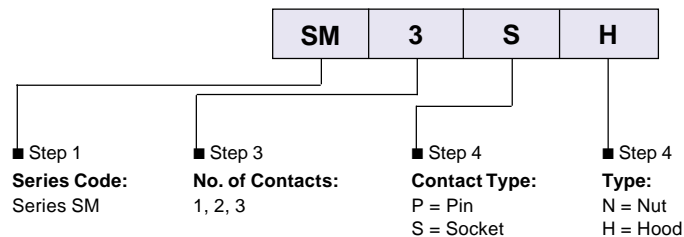
## Sub Miniature / #20 - #24 Contacts / 3 And 7.5 Amps

### OUTLINE

Dimensions are for reference only and are subject to change. Outline drawings on request.



### ORDERING INFORMATION



Winchester

62 Barnes Industrial Road North, Wallingford, Connecticut 06492 Phone:(203)741-5400 Fax:(203)741-5500 www.winchesterelectronics.com

# Rack & Panel

## M Series

## High Voltage Miniature / #20 Contacts / .040" Dia. / 7.5 Amps



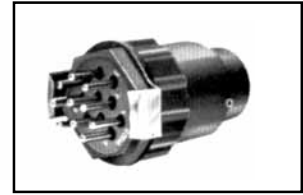
**M4PLSH10**  
Plug with lock spring and hood



**M4SLRGN**  
Receptacle with lock ring, ground lug and nut



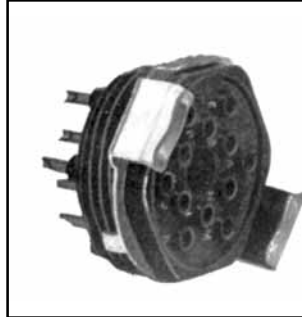
**M10SLRN**  
Receptacle with lock ring and nut



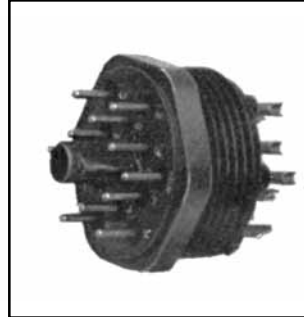
**M10PLSH19**  
Plug with lock spring and hood



**N**  
Nylon Nut



**M12SLS12**  
Receptacle with lock spring



**M12P**  
Plug



**M12H**  
Hood with lock shell

The extreme compactness and lightweight of M connectors make them ideal for such applications as strain gauges, telemetry and pressure pick-up installations in aircraft, portable equipment and instrumentation.

## SPECIFICATIONS

**Current Rating:** 7.5 amps

**No. of Contacts:** 4, 5, 7, 9, 10, 12

**Pin Contacts:** .040 dia. brass, gold plated

**Socket Contacts:** Spring temper phosphor bronze, gold plated

**Terminations:** .048 dia. solder cup accepts up to #20 AWG stranded wire. M12 - .043 dia. solder cup accepts up to #20 AWG stranded wire.

**Electrical Data:** The dielectric withstanding voltage is one minute electrification at 1500 VAC. (2250 VAC for M12).

**Dielectric:** Brown mineral filled diallyl phthalate. Also available in gray glass filled diallyl phthalate, per MIL-M-14, SDG-F.

**Polarization:** Body design permits engagement in proper position only.

**Mounting:** For 1/16" panel mounting of either plug or receptacle use cadmium plated brass nut for M4-10, nylon nut for M12. Add "N" to code number.

**Lock Ring (and lock spring):** May be applied to plug or receptacle to stop connector rotation on panel. When engaged with lock spring, prevents accidental disconnection due to vibration, etc.

**Ground Lug:** Can be used to ground any of the 4 contacts on M4 connector. Add "G" to code number.

**Hood:** Anodized aluminum or brown mineral filled diallyl phthalate hoods may be applied to plug or receptacle of M4-M10. With or without cable clamps to provide additional strain relief for the cable.

Winchester.

62 Barnes Industrial Road North, Wallingford, Connecticut 06492 Phone:(203)741-5400 Fax:(203)741-5500 www.winchesterelectronics.com

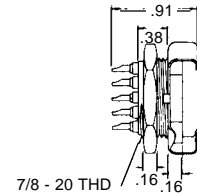
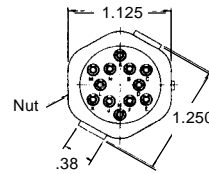
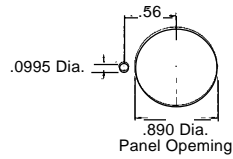
# Rack & Panel

## M Series

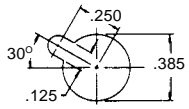
## High Voltage Miniature / #20 Contacts / .040" Dia. / 7.5 Amps

### OUTLINE

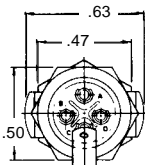
Dimensions are for reference only and are subject to change. Outline drawings on request.



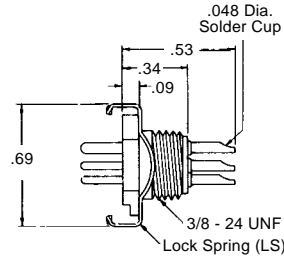
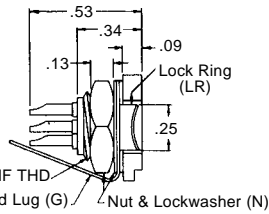
**M21S**



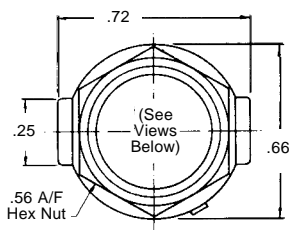
**Panel Drilling**



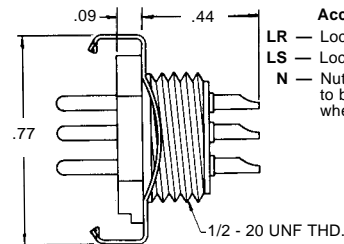
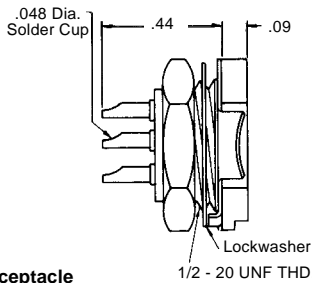
**Receptacle M4S-LRGN**



**Plug M4P-LS**

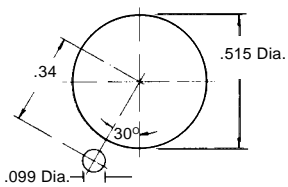


**Receptacle M5S-LRN**

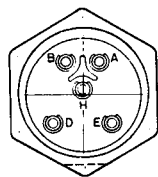


**Plug M5P-LS**

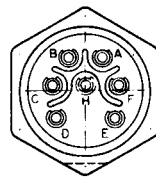
**Accessory Code**  
 LR — Lock Ring  
 LS — Lock Spring  
 N — Nut & Lockwasher to be used as suffixes when required.



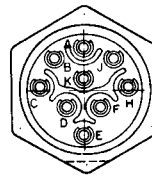
**Panel Drilling (Viewed from Front of Panel)**



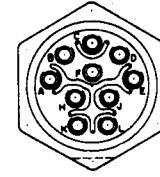
**Contact Arrangement M5S**



**Contact Arrangement M7S**



**Contact Arrangement M9S**



**Contact Arrangement M10S**

Contact locations are shown from terminal sides

**NOTE:** Contact arrangement of M\*P are reversed

\* Insert number, indicating number of contacts (5, 7, 9, 10)

### PHYSICAL AND ELECTRICAL DATA

Catalog Number	Number of Contacts	Weight In Ounces						Solder Cup Hole Dia./in.	Current Rating
		Plug	Rec.	Nut	Lock Spring	Lock Ring	Lock Washer		
M4P M4S	4	.08	.06	.08	.02	.02	.01	.048	7.5 amps
M5P M5S	5	.10	.08	.06	.02	.03	.01	.048	7.5 amps
M7P M7S	7	.12	.10	.06	.02	.03	.01	.048	7.5 amps
M9P M9S	9	.13	.10	.06	.02	.03	.01	.048	7.5 amps
M10P M10S	10	.13	.10	.06	.02	.03	.01	.048	7.5 amps
M12P M12S	12	.3	.4	.05	.02	.03	.01	.043	7.5 amps

Winchester

62 Barnes Industrial Road North, Wallingford, Connecticut 06492 Phone:(203)741-5400 Fax:(203)741-5500 www.winchesterelectronics.com

# Rack & Panel

## M Series

## High Voltage Miniature / #20 Contacts / .040" Dia. / 7.5 Amps

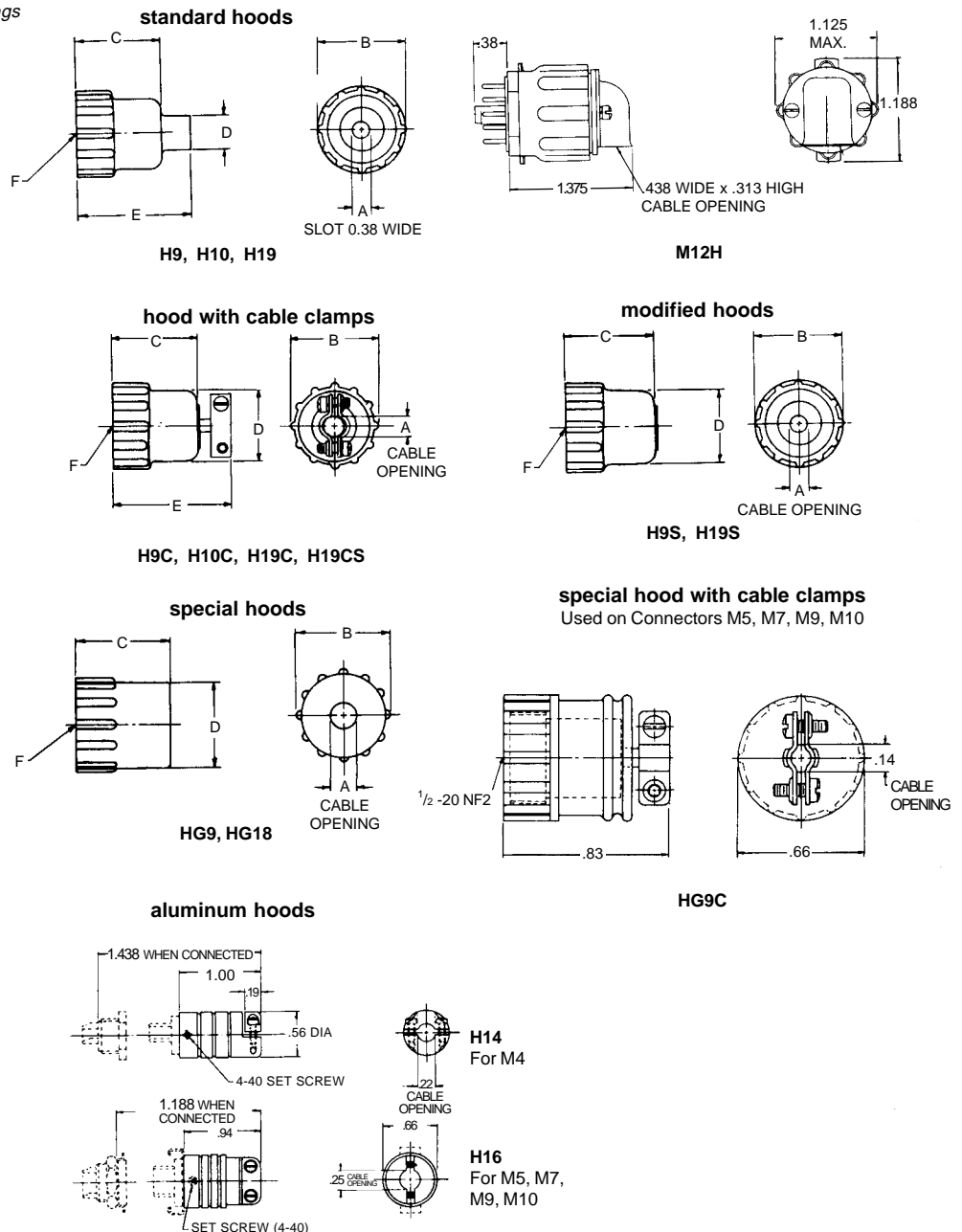
### MOLDED DIALLYL PHTHALATE AND ALUMINUM HOODS

Molded diallyl phthalate cable hoods protect soldered wires and facilitate disengagement of connectors. Cable clamps provide additional strain relief and support. They are supplied on hoods with "C" in the code number. Clamps are cadmium plated with olive drab iridite finish. Anodized aluminum

hoods are precision machined from bar stock to give greater strength than die cast units. Cable clamps are machined as an integral part of the connector. The set screw prevents accidental disassembly from vibration, etc. A polyethylene sleeve liner provides added insulation in the terminal area.

### OUTLINE

Dimensions are for reference only and are subject to change. Outline drawings on request.



Winchester

62 Barnes Industrial Road North, Wallingford, Connecticut 06492 Phone:(203)741-5400 Fax:(203)741-5500 www.winchesterelectronics.com

# Rack & Panel

## M Series

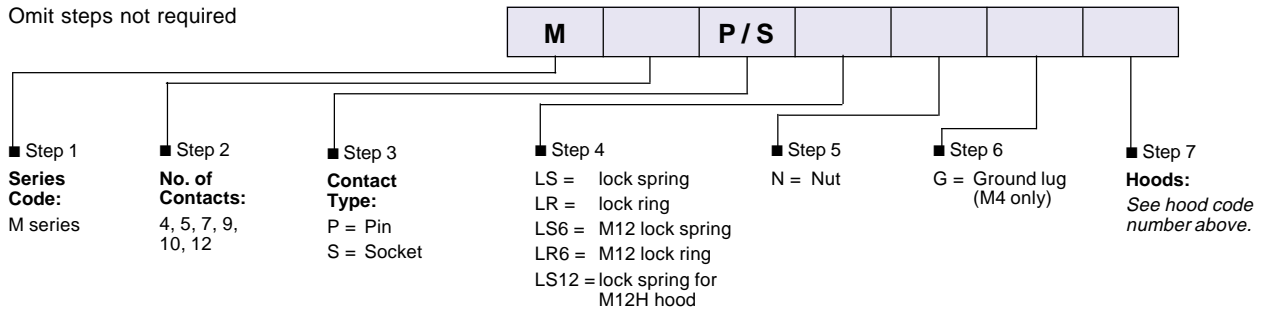
## High Voltage Miniature / #20 Contacts / .040" Dia. / 7.5 Amps

### PHYSICAL DATA

Hood Code Number	Used on of Connectors	DIMENSIONS						Weight In Ounces
		A	B	C	D	E	F-Thds	
H9	M5, 7, 9, 10	.14	.66	.66	.27	.88	1/2 - 20	.10
H10	M4	.16	.56	.69	.25	.75	3/8 - 24	.05
H19	M5, 7, 9, 10	.30	.66	.66	.42	.88	1/2 - 20	.08
H9C	M5, 7, 9, 10	.16	.66	.78	.55	.97	1/2 - 20	.11
H10C	M4	.19	.56	.69	.44	.88	3/8 - 24	.09
H19C	M5, 7, 9, 10	.30	.66	.78	.55	.97	1/2 - 20	.12
H19CS	M5, 7, 9, 10	.30	.66	.66	.55	.86	1/2 - 20	.11
H9S	M5, 7, 9, 10	.14	.66	.66	.55		1/2 - 20	.07
H19S	M5, 7, 9, 10	.30	.66	.66	.55		1/2 - 20	.06
HG9	M5, 7, 9, 10	.22	.66	.66	.59		1/2 - 20	.10
HG18	M5, 7, 9, 10	.28	.66	.66	.59		1/2 - 20	.11
HG9C	M5, 7, 9, 10	See Drawing						.14
H14	M4	See Drawing						.25
H16	M5, 7, 9, 10	See Drawing						.25
H12H	M12	See Drawing						1.10

### ORDERING INFORMATION

Omit steps not required



Winchester.

62 Barnes Industrial Road North, Wallingford, Connecticut 06492 Phone:(203)741-5400 Fax:(203)741-5500 www.winchesterelectronics.com



# Rack & Panel

## JF Series

## Miniature Side Mount / #20 Contacts / .040" Dia. / 7.5 Amps

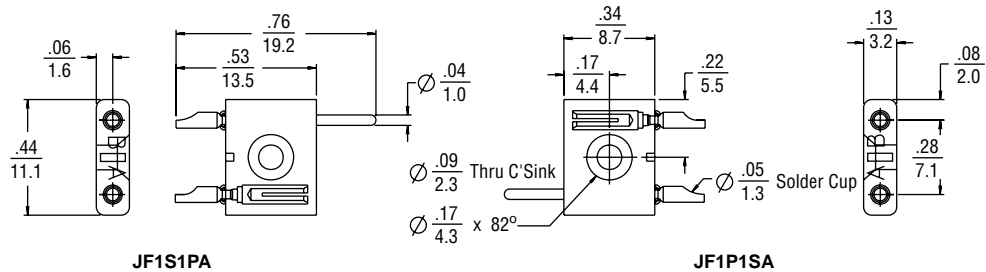
### OUTLINE

Dimensions are for reference only and are subject to change. Outline drawings on request.

### Side Mounting, 4 Position Rectangular 2 and 4 Position In-Line

#### JF Series, PIN and Socket, 2 Position In-Line Connectors

Dimensions shown are typical for all standard 2 position in-line connectors.

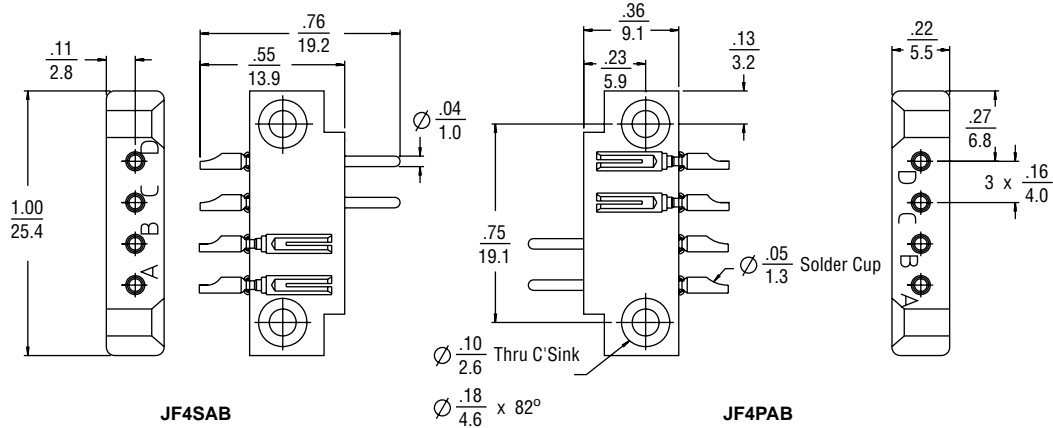


JF1S1PA

JF1P1SA

#### JF Series, PIN and Socket, 4 Position In-Line Connectors

Dimensions shown are typical for all standard 4 position in-line connectors.



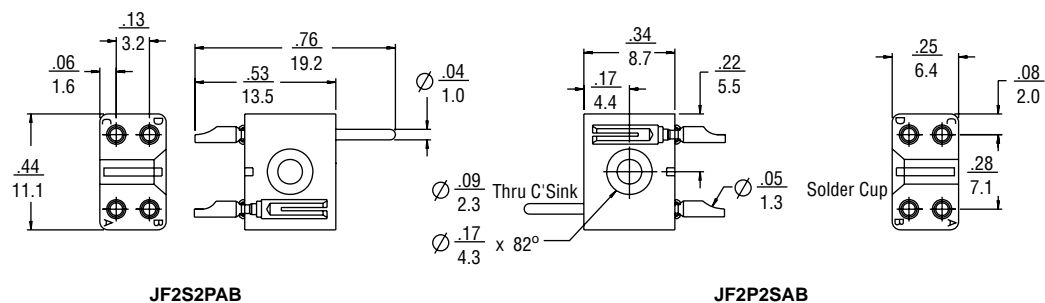
JF4SAB

JF4PAB

### Side Mounting, 4 Position Rectangular, 2 and 4 Position In-Line

#### JF Series, PIN and Socket, 4 Position Rectangular Connectors

Dimensions shown are typical for all standard 4 position rectangular connectors.



JF2S2PAB

JF2P2SAB

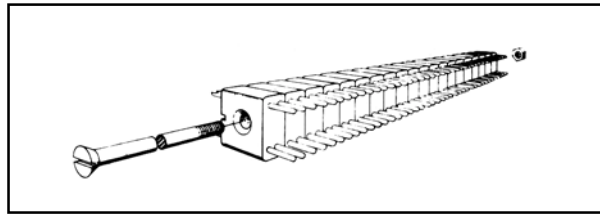
Winchester

62 Barnes Industrial Road North, Wallingford, Connecticut 06492 Phone:(203)741-5400 Fax:(203)741-5500 www.winchesterelectronics.com

# Rack & Panel

## JF Series

## Miniature Side Mount / #20 Contacts / .040" Dia. / 7.5 Amps



**JF-2P**  
20 connectors assembled

The versatile JF Series has a countersunk mounting hole and narrow width permitting exceptionally flat mounting. Maximum circuit density is provided with many positive polarizations. "Custom" multi-contact connectors are readily available by using the building block technique shown above.

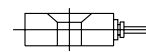
### OUTLINE

Dimensions are for reference only and are subject to change. Outline drawings on request.

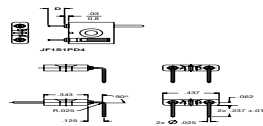
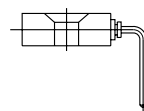
#### Typical Connector With DIP Solder Termination

JF Series connectors may be ordered with dip solder and right angle terminations. Consult factory for availability.

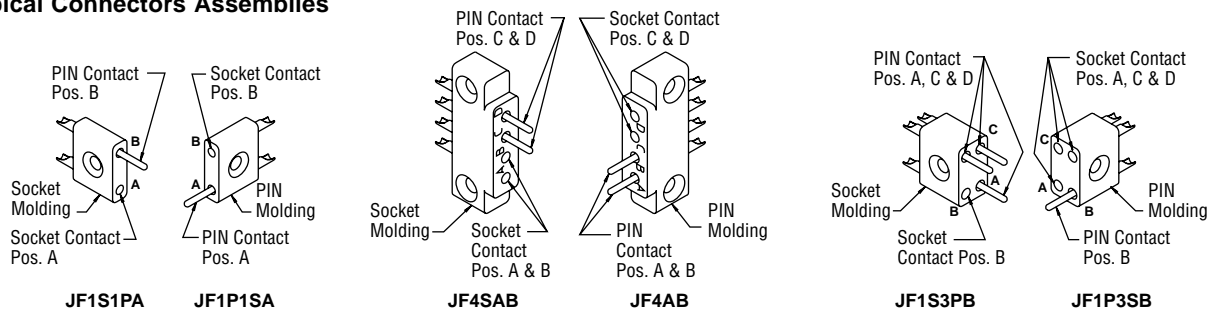
#### Straight Dip Solder



#### Right Angle Dip Solder



#### Typical Connectors Assemblies

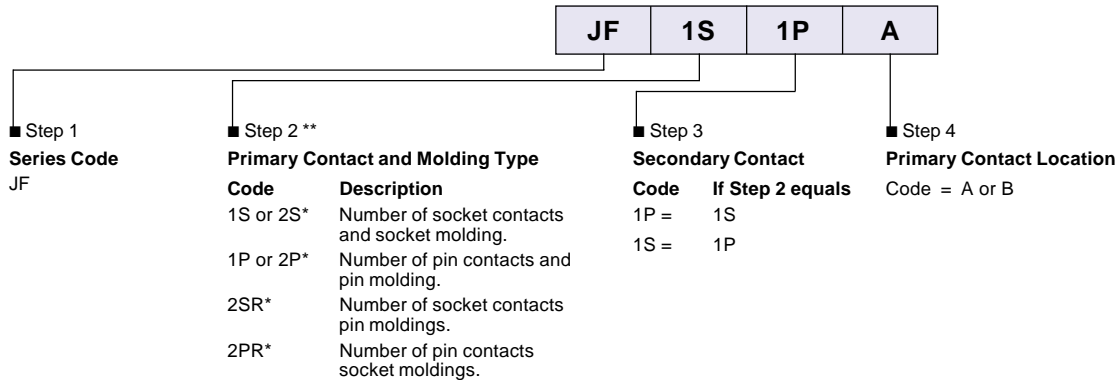


Winchester

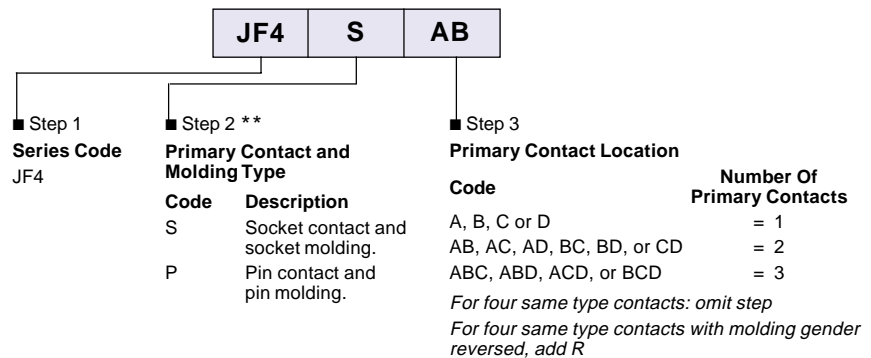
62 Barnes Industrial Road North, Wallingford, Connecticut 06492 Phone:(203)741-5400 Fax:(203)741-5500 www.winchesterelectronics.com

### ORDERING INFORMATION

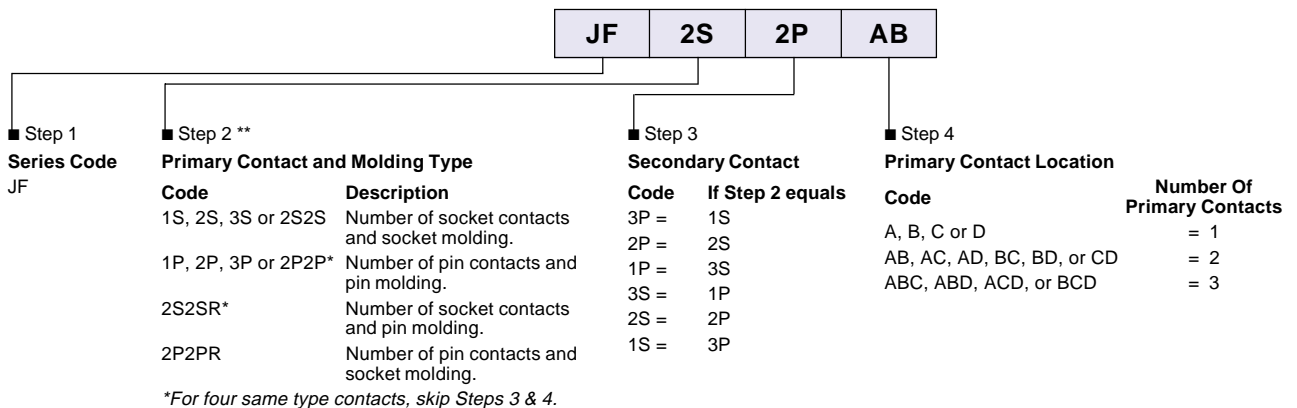
#### 2 Position In-Line Connector



#### 4 Position In-Line Connectors



#### 4 Position Rectangular Connector



\*\*For Pictorial Presentation, see RP/84 and RP/85

### SPECIFICATIONS

#### Materials

**Moldings (PIN and Socket):** Diallyl Orthophthalate  
**Pin Contacts:** .040 Brass, gold plated  
**Socket Contacts:** Phosphor bronze, gold plated

#### Performance Characteristics

**Dielectric Withstanding Voltage:** 1500 VAC (at sea level)  
**Current Rating:** 7.5 Amps  
**Operating Temperature Range:** -55°C to +125°C  
**Termination Type:** .050 dia. solder cup to accept #20 AWG stranded wire.

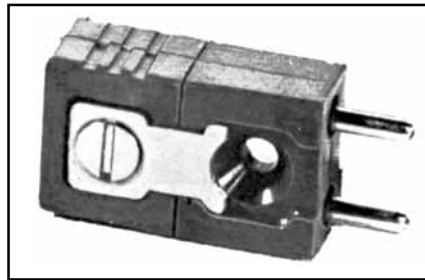
Winchester.

62 Barnes Industrial Road North, Wallingford, Connecticut 06492 Phone:(203)741-5400 Fax:(203)741-5500 www.winchesterelectronics.com

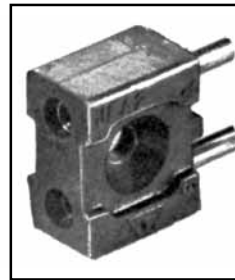
# Rack & Panel

## JFA Series

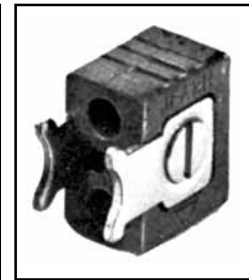
## Miniature Side Mount / #16 Contacts / .062" Dia. / 13 Amps



**JFA2H — JFA2P**  
Hood and plug



**JFA2S**  
Receptacle



**JFA2H**  
Hood

For applications in electronic and communications equipment requiring miniature connectors with high current capacity. Series JFA miniature connectors may be used in television, radio and communications

equipment. The countersunk side mounting hole and narrow width permits exceptionally flat mounting —thereby minimizing connector protrusion when installed on equipment

### SPECIFICATIONS

**Current Rating:** 13 amps

**No. of Contacts:** 2

**Pin Contacts:** .062 dia. brass, gold plated

**Socket**

**Contacts:** Phosphor bronze, gold plated

**Terminations:** .070 dia. solder cup will accept up to #16 AWG stranded wire.

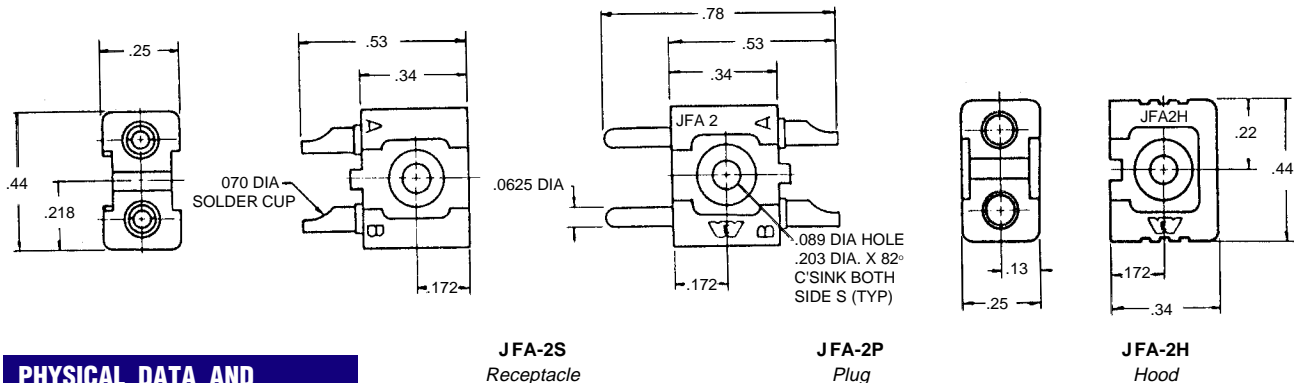
**Electrical Data:** Dielectric withstanding voltage is one minute electrification at 2925 VAC.

**Dielectric:** Molded diallyl phthalate per MIL-M-14

**Hood:** Locked to connector by means of two side mounted straps.

### OUTLINE

Dimensions are for reference only and are subject to change. Outline drawings on request.



### PHYSICAL DATA AND ORDERING INFORMATION

#### Physical Data

Code Number	Number of Contacts	Current Rating Amps	Wire Size A.W.G.	Weight Ozs.
JFA-1P1S	1 Pin 1 Socket	13	# 16	.082
JFA-2PH JFA-2SH (with hoods)	2 Pins 2 Sockets			.059 .046
JFA-1S1P	1 Pin 1 Socket	13	# 16	.082
JFA-2P JFA-2S (no-straps-on hoods)	2 Pins 2 Sockets			.059 .046

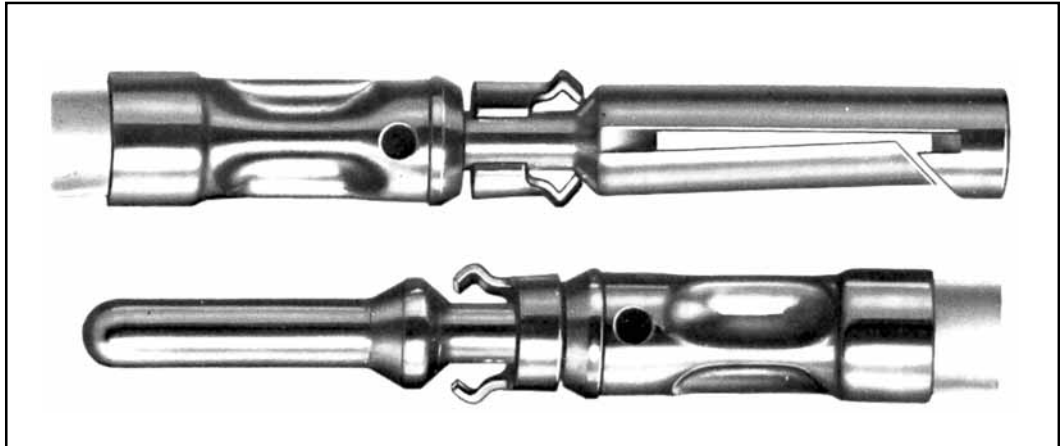
#### Mating Combinations

<b>JFA2P</b>	mates with	<b>JFA2S</b>
<b>JFA2PH</b>	mates with	<b>JFA2SH</b>
<b>JFA1P1S-A</b>	mates with	<b>JFA1S1P-A</b>
<b>JFA1P1S-B</b>	mates with	<b>JFA1S1P-B</b>
<b>JFA1P1SH-A</b>	mates with	<b>JFA1S1PH-A</b>
<b>JFA1P1SH-B</b>	mates with	<b>JFA1S1PH-B</b>

**JFA2H** — Hood — used on any of above 3 parts

Winchester

62 Barnes Industrial Road North, Wallingford, Connecticut 06492 Phone:(203)741-5400 Fax:(203)741-5500 www.winchesterelectronics.com



6x Actual Size — Typical Removable Contact

Winchester Electronics removable contacts allow quick, easy removal and replacement of any contact without disturbing another - and without discarding the connector. They offer exceptional flexibility in both the choice and revision of circuitry for rack and panel equipment ... at substantial savings in replacement and installation time. In addition, wiring costs are significantly lowered, as wires may be assembled away from the

connector itself. Assembly of contacts to wires is further simplified by crimp type contacts. A contact is slipped on the wire, inserted in the crimping tool, and crimped securely in place in seconds. Compact and self-aligning, these removable contacts provide high retention force and exceptional mechanical and electrical reliability. Solder type removable contacts are available for connectors using MRAC contacts.

### SPECIFICATIONS

**Pin Contacts:** Copper Alloy, gold plated.

**Socket Contacts:** Closed entry type machined from copper alloy, gold plated.

**Tools:** Complete line available. Includes automatic pneumatic, pneumatic hand operated, hand operated crimping tools, insertion and removal tools.

**Military**

**Specifications:** Conforms to applicable portions of MIL-C-39029

**Wire Sizes:** From a minimum 28 to a maximum 14 AWG. All contacts are designed to accept a minimum AWG conductor up to two sizes below maximum gage (each contact.)

**Termination Types:** Crimp, solder, dip solder or wire-wrap

**Current Rating:** 7.5 Amps maximum for .040 contacts. 13 Amps maximum for .062 contacts.

**To Order:** Specify by catalog number

**Note:** Series 100 Removable Contacts are not supplied with the connector. They must be ordered as a separate item.

### 100 SERIES CONTACTS

Loose Contact Part Number	Reeled Contact Part Number 2,000/Reel	Accommodates Conductor Sizes	Used In Connector Series	Diameter (See Drawings)		Mating Pin Diameter	Description of Contacts	See Figure Number	AMPS per Cont	For Loose Contacts				For Reeled Contacts					
				A	B					Locator	Hand Tool	Pneumatic Tool	Gage Plug Part Number	Hand Tool Part Number	Positioner Part Number	Gage Plug Part Number	Pneumatic Tool Part Number	Depth Block Part Number	Gage Plug Part Number
100-1014P	100-0909P	14-16	MRAC, TMRAC, XAC, TXAC	.081	.105	.062	Crimp Contact	1	13	107-0945	107-0903-2A	107-0918	5431-22	107-0970	107-0981	5431-17	107-0961	107-0966	5431-14
100-1014S	100-0919S	14-16	MRAC, TMRAC, XAC, TXAC	.081	.105	.062	Crimp Contact	2	13	107-0945	107-0903-2A	107-0918	5431-22	107-0970	107-0981	5431-17	107-0961	107-0966	5431-14
100-1016P	100-0911P	16-18-20	MRAC, TMRAC, XAC, TXAC	.067	.092	.062	Crimp Contact	1	13	107-0945	107-0903-2A	107-0918	5431-14	107-0970	107-0977	5431-11	107-0961	107-0966	5431-14
100-1016S	100-0921S	16-18-20	MRAC, TMRAC, XAC, TXAC	.067	.097	.062	Crimp Contact	2	13	107-0945	107-0903-2A	107-0918	5431-14	107-0970	107-0977	5431-11	107-0961	107-0966	5431-14
100-1018P	100-0913P	18-20-22	MRAC, TMRAC, XAC, TXAC	.052	.078	.062	Crimp Contact	1	13	107-0945	107-0903-2A	107-0918	5431-14	107-0970	107-0977	5431-11	107-0961	107-0966	5431-14
100-1018S	100-0923S	18-20-22	MRAC, TMRAC, XAC, TXAC	.052	.078	.062	Crimp Contact	2	13	107-0945	107-0903-2A	107-0918	5431-14	107-0970	107-0977	5431-11	107-0961	107-0966	5431-14
100-1020P	100-0915P	20-22-24	MRAC, TMRAC, XAC, TXAC	.045	.067	.062	Crimp Contact	1	13	107-0945	107-0903-2A	107-0918	5431-15	107-0970	107-0976	5431-12	107-0961	107-0965	5431-15
100-1020S	100-0925S	20-22-24	MRAC, TMRAC, XAC, TXAC	.045	.065	.062	Crimp Contact	2	13	107-0945	107-0903-2A	107-0918	5431-15	107-0970	107-0976	5431-12	107-0961	107-0965	5431-15
100-1022P	100-0907P	22-24-26	MRAC, TMRAC, XAC, TXAC	.033	.055	.062	Crimp Contact	1	13	107-0945	107-0903-2A	107-0918	5431-15	107-0970	107-0976	5431-12	107-0961	107-0965	5431-15
100-1022S	100-0908S	22-24-26	MRAC, TMRAC, XAC, TXAC	.033	.055	.062	Crimp Contact	2	13	107-0945	107-0903-2A	107-0918	5431-15	107-0970	107-0976	5431-12	107-0961	107-0965	5431-15
100-1024P	100-0917P	24-26-28	MRAC, TMRAC, XAC, TXAC	.027	.055	.062	Crimp Contact	1	13	107-0945	107-0903-2A	107-0918	5431-15	107-0970	107-0976	5431-12	107-0961	107-0965	5431-15
100-1024S	100-0927S	24-26-28	MRAC, TMRAC, XAC, TXAC	.027	.055	.062	Crimp Contact	2	13	107-0945	107-0903-2A	107-0918	5431-15	107-0970	107-0976	5431-12	107-0961	107-0965	5431-15
100-1026P	100-0963P	26-28-30	MRAC, TMRAC, XAC, TXAC	.024	.050	.062	Crimp Contact	1	13	107-0945	107-0903-2A	107-0918	5431-15	107-0970	107-0976	5431-12	107-0961	107-0965	5431-15
100-1026S	100-0965S	26-28-30	MRAC, TMRAC, XAC, TXAC	.024	.050	.062	Crimp Contact	2	13	107-0945	107-0903-2A	107-0918	5431-15	107-0970	107-0976	5431-12	107-0961	107-0965	5431-15
100-2016P	100-0949P	16-18-20	MRAC, TMRAC, XAC, TXAC	.067	.096	.040	Crimp Contact	3	7.5	107-0945	107-0903-2A	107-0918	5431-14	107-0970	107-0977	5431-11	107-0961	107-0966	5431-14
100-2016S	100-0939S	16-18-20	MRAC, TMRAC, XAC, TXAC	.067	.096	.040	Crimp Contact	4	7.5	107-0945	107-0903-2A	107-0918	5431-14	107-0970	107-0977	5431-11	107-0961	107-0966	5431-14
100-2018P	100-0943P	18-20-22	MRAC, TMRAC, XAC, TXAC	.052	.078	.040	Crimp Contact	3	7.5	107-0945	107-0903-2A	107-0918	5431-14	107-0970	107-0977	5431-11	107-0961	107-0966	5431-14
100-2018S	100-0933S	18-20-22	MRAC, TMRAC, XAC, TXAC	.052	.078	.040	Crimp Contact	4	7.5	107-0945	107-0903-2A	107-0918	5431-14	107-0970	107-0977	5431-11	107-0961	107-0966	5431-14
100-2020P	100-0945P	20-22-24	MRAC, TMRAC, XAC, TXAC	.045	.065	.040	Crimp Contact	3	7.5	107-0945	107-0903-2A	107-0918	5431-15	107-0970	107-0976	5431-12	107-0961	107-0965	5431-15
100-2020S	100-0935S	20-22-24	MRAC, TMRAC, XAC, TXAC	.045	.065	.040	Crimp Contact	4	7.5	107-0945	107-0903-2A	107-0918	5431-15	107-0970	107-0976	5431-12	107-0961	107-0965	5431-15
100-2022P	100-0947P	22-24-26	MRAC, TMRAC, XAC, TXAC	.033	.055	.040	Crimp Contact	3	7.5	107-0945	107-0903-2A	107-0918	5431-15	107-0970	107-0976	5431-12	107-0961	107-0965	5431-15
100-2022S	100-0937S	22-24-26	MRAC, TMRAC, XAC, TXAC	.033	.055	.040	Crimp Contact	4	7.5	107-0945	107-0903-2A	107-0918	5431-15	107-0970	107-0976	5431-12	107-0961	107-0965	5431-15
100-2024P	100-0951P	24-26-28	MRAC, TMRAC, XAC, TXAC	.027	.055	.040	Crimp Contact	3	7.5	107-0945	107-0903-2A	107-0918	5431-15	107-0970	107-0976	5431-12	107-0961	107-0965	5431-15
100-2024S	100-0941S	24-26-28	MRAC, TMRAC, XAC, TXAC	.027	.055	.040	Crimp Contact	4	7.5	107-0945	107-0903-2A	107-0918	5431-15	107-0970	107-0976	5431-12	107-0961	107-0965	5431-15

Continued on page RP / 85



### 100 SERIES CONTACTS

Loose Contact Part Number	Reeled Contact Part Number	Accommodates Conductor Sizes	Used In Connector Series	Diameter (See Drawings)		Mating Pin Diameter	Description of Contacts	See Figure per Number	AMPS per Cont	For Loose Contacts			For Reeled Contacts							
				A	B					Locator	Hand Tool	Pneumatic Tool	Gage Plug Part Number	Hand Tool Part Number	Positioner Part Number	Gage Plug Part Number	Pneumatic Tool Part Number	Depth Block Part Number	Gage Plug Part Number	
100-2514P	Not Available	14-16-18	MRAC, TMRAC XAC, TXAC	.081	.105	.062	Solder Contact	5	13	N/A Solder Contact			N/A Solder Contact							
100-2514S	Not Available	14-16-18	MRAC, TMRAC XAC, TXAC	.081	.105	.062	Solder Contact	6	13	N/A Solder Contact			N/A Solder Contact							
100-2516P	Not Available	16-18-20	MRAC, TMRAC XAC, TXAC	.067	.097	.062	Solder Contact	5	13	N/A Solder Contact			N/A Solder Contact							
100-2516S	Not Available	16-18-20	MRAC, TMRAC XAC, TXAC	.067	.097	.062	Solder Contact	6	13	N/A Solder Contact			N/A Solder Contact							
100-2518P	Not Available	18-20-22	MRAC, TMRAC XAC, TXAC	.052	.076	.062	Solder Contact	5	13	N/A Solder Contact			N/A Solder Contact							
100-2518S	Not Available	18-20-22	MRAC, TMRAC XAC, TXAC	.052	.076	.062	Solder Contact	6	13	N/A Solder Contact			N/A Solder Contact							
100-2520P	Not Available	20-22-24	MRAC, TMRAC XAC, TXAC	.045	.065	.062	Solder Contact	5	13	N/A Solder Contact			N/A Solder Contact							
100-2520S	Not Available	20-22-24	MRAC, TMRAC XAC, TXAC	.045	.065	.062	Solder Contact	6	13	N/A Solder Contact			N/A Solder Contact							
100-2522P	Not Available	22-24-26	MRAC, TMRAC XAC, TXAC	.033	.055	.062	Solder Contact	5	13	N/A Solder Contact			N/A Solder Contact							
100-2522S	Not Available	22-24-26	MRAC, TMRAC XAC, TXAC	.033	.055	.062	Solder Contact	6	13	N/A Solder Contact			N/A Solder Contact							
100-2524P	Not Available	24-26-28	MRAC, TMRAC XAC, TXAC	.027	.055	.062	Solder Contact	5	13	N/A Solder Contact			N/A Solder Contact							
100-2524S	Not Available	24-26-28	MRAC, TMRAC XAC, TXAC	.027	.055	.062	Solder Contact	6	13	N/A Solder Contact			N/A Solder Contact							
100-2616P	Not Available	16-18-20	MRAC, TMRAC XAC, TXAC	.067	.096	.040	Solder Contact	7	7.5	N/A Solder Contact			N/A Solder Contact							
100-2616S	Not Available	16-18-20	MRAC, TMRAC XAC, TXAC	.067	.096	.040	Solder Contact	8	7.5	N/A Solder Contact			N/A Solder Contact							
100-2620P	Not Available	20-22-24	MRAC, TMRAC XAC, TXAC	.045	.065	.040	Solder Contact	7	7.5	N/A Solder Contact			N/A Solder Contact							
100-2620S	Not Available	20-22-24	MRAC, TMRAC XAC, TXAC	.045	.065	.040	Solder Contact	8	7.5	N/A Solder Contact			N/A Solder Contact							
100-4020P	100-0801P	20-22	SREC, 42 Series	See Drawing		.030	Crimp Contact	23	5	107-43302	107-43300				5431-25			107-0961	107-0965	5431-15
100-4020S	100-0802S	20-22	SREC, 42 Series	See Drawing		.030	Crimp Contact	24	5	107-43302	107-43300				5431-25			107-0961	107-0965	5431-15
100-4024P	100-0805P	24-26-28	SREC, 42 Series	See Drawing		.030	Crimp Contact	25	5	107-43302	107-43300				5431-25			107-0961	107-0965	5431-15
100-4024S	100-0806S	24-26-28	SREC, 42 Series	See Drawing		.030	Crimp Contact	26	5	107-43302	107-43300				5431-25			107-0961	107-0965	5431-15
100-4028P	100-0809P	28-30	SREC, 42 Series	See Drawing		.030	Crimp Contact	27	5	107-43302	107-43300				5431-25			107-0961	107-0965	5431-15
100-4028S	100-0810S	28-30	SREC, 42 Series	See Drawing		.030	Crimp Contact	28	5	107-43302	107-43300				5431-25			107-0961	107-0965	5431-15
100-51014S	100-0981S	14-16	MRAC, TMRAC, XAC, TXAC	.081	.105	.062	3 Piece Crimp	19	13	107-0945	107-0903-2A	107-0918			5431-14			107-0961	107-0966	5431-14
100-51016S	100-0982S	16-18-20	MRAC, TMRAC, XAC, TXAC	.067	.094	.062	3 Piece Crimp	19	13	107-0945	107-0903-2A	107-0918			5431-14			107-0961	107-0966	5431-14
100-51018S	100-0983S	18-20-22	MRAC, TMRAC, XAC, TXAC	.052	.078	.062	3 Piece Crimp	19	13	107-0945	107-0903-2A	107-0918			5431-14			107-0961	107-0966	5431-14
100-51020S	100-0984S	20-22-24	MRAC, TMRAC, XAC, TXAC	.045	.067	.062	3 Piece Crimp	19	13	107-0945	107-0903-2A	107-0918			5431-15			107-0961	107-0965	5431-15

Continued on page RP / 86

### 100 SERIES CONTACTS

Loose Contact Part Number	Reeled Contact Part Number	Accommodates Conductor Sizes	Used In Connector Series	Diameter (See Drawings)		Mating Pin Diameter	Description of Contacts	See Figure Number	AMPS per Cont	For Loose Contacts				For Reeled Contacts				
				A	B					Locator	Hand Tool	Pneumatic Tool	Gage Plug Part Number	Hand Tool	Positioner Part Number	Gage Plug Part Number	Pneumatic Tool Number	Depth Block Part Number
100-51022S	100-0985S	22-24-26	MRAC, TMRAC, XAC, TXAC	.033	.055	.062	3 Piece Crimp	19	13	107-0945	107-0903-2A	107-0918	5431-15			107-0961	107-0965	5431-15
100-51024S	100-0986S	24-26-28	MRAC, TMRAC, XAC, TXAC	.027	.055	.062	3 Piece Crimp	19	13	107-0945	107-0903-2A	107-0918	5431-15			107-0961	107-0965	5431-15
100-51026S	100-0987S	26-28-30	MRAC, TMRAC, XAC, TXAC	.024	.050	.062	3 Piece Crimp	19	13	107-0945	107-0903-2A	107-0918	5431-15			107-0961	107-0965	5431-15
100-54020S	100-0804S	20-22	SREC, 42 Series	See Drawing		.030	3 Piece Crimp	20	5	107-43302	107-43300		5431-25					
100-54024S	100-0823S	24-26	SREC, 42 Series	See Drawing		.030	3 Piece Crimp	21	5	107-43302	107-43300		5431-25					
100-54028S	Not Available	28-30	SREC, 42 Series	See Drawing		.030	3 Piece Crimp	22	5	107-43302	107-43300		5431-25					
											Inner Contact			Outer Contact				
100-8000P	Not Available	RG178, 196/U	MRAC, TMRAC, XAC, TXAC	See Drawing		.078	Shielded Crimp	31	—	107-43303	107-43300		5431-26	107-0903-2A	107-0944			
100-8000S	Not Available	RG178, 196/U	MRAC, TMRAC, XAC, TXAC	See Drawing		.078	Shielded Crimp	32	—	107-43303	107-43300		5431-26	107-0903-2A	107-0944			
100-8001P	Not Available	RG161,179 187/U	MRAC, TMRAC, XAC, TXAC	See Drawing		.078	Shielded Crimp	31	—	107-43303	107-43300		5431-26	107-43330	Not Required			
100-8001S	Not Available	RG174,188 187/U	MRAC, TMRAC, XAC, TXAC	See Drawing		.078	Shielded Crimp	32	—	107-43303	107-43300		5431-26	107-43330	Not Required			
100-8003P	Not Available	RG174,188 316/U	MRAC, TMRAC, XAC, TXAC	See Drawing		.078	Shielded Crimp	31	—	107-43303	107-43300		5431-26	107-43330	Not Required			
100-8003S	Not Available	RG174,188 316/U	MRAC, TMRAC, XAC, TXAC	See Drawing		.078	Shielded Crimp	32	—	107-43303	107-43300		5431-26	107-43330	Not Required			
7130	Not Available	Dip Solder	MRAC, TMRAC	Not Applicable		.062	Dip Solder	9	13					N/A Dip Solder				
7131	Not Available	Dip Solder	MRAC, TMRAC	Not Applicable		.062	Dip Solder	10	13					N/A Dip Solder				
8122	Not Available	Wire Wrap	SREC	Not Applicable		.030	Wire Wrap	13	5					N/A Wire Wrap				
8123	Not Available	Wire Wrap	SREC	Not Applicable		.030	Wire Wrap	14	5					N/A Wire Wrap				
8124	Not Available	Dip Solder	MRAC, TMRAC	Not Applicable		.062	Dip Solder	11	5					N/A Dip Solder				
8125	Not Available	Dip Solder	MRAC, TMRAC	Not Applicable		.062	Dip Solder	12	13					N/A Dip Solder				
8113	Not Available	Wire Wrap	MRAC, TMRAC	Not Applicable		.062	Wire Wrap	16	13					N/A Wire Wrap				
8114	Not Available	Wire Wrap	MRAC, TMRAC	Not Applicable		.062	Wire Wrap	15	13					N/A Wire Wrap				
8105	Not Available	Wire Wrap	MRAC, TMRAC	Not Applicable		.062	Wire Wrap	18	13					N/A Wire Wrap				
8106	Not Available	Wire Wrap	MRAC, TMRAC	Not Applicable		.062	Wire Wrap	17	13					N/A Wire Wrap				

100-S = Military Contacts

Continued on page RP / 87

### MIL-C-39029 CONTACTS

#### MIL-C-39029 CONTACTS

M39029 Part Number	Winchester Part Number	Accommodates Conductor Sizes	Used In Connector Series	Diameter		Mating Pin Dia.	Description of Contacts	See Figure Number	AMPS per Cont	MIL Spec Crimp Tool	Winchester Crimp Tool	MIL Spec Positioner	Winchester Positioner	Insertion Tool MIL	Insertion Tool Winchester	Removal Tool MIL	Removal Tool Winchester
				A	B												
M39029/84-271	100R-2020P95	20-22-24	M28748	.045	.067	.040	Crimp Contact	3	M22520/1-01	107-0903-2A	M22520/1-03	107-0945	M81969/18-01	107-1015	M81969/20-01	107R1001	
M39029/84-272	100R-1020P95	20-22-24	M28748	.045	.067	.062	Crimp Contact	1	M22520/1-01	107-0903-2A	M22520/1-03	107-0945	M81969/18-01	107-1015	M81969/20-01	107R1001	
M39029/84-273	100B-1016P95	16-18-20	M28748	.067	.092	.062	Crimp Contact	1	M22520/1-01	107-0903-2A	M22520/1-03	107-0945	M81969/18-01	107-1015	M81969/20-01	107R1001	
M39029/84-440	100-202861-50	22-24-26	M28748	.035	.056	.030	Crimp Contact	29	M22520/2-01	107-43300	Buchm.614412	107-0611	M81969/18-02	IT2857	M81969/20-02	RT2855	
M39029/85-274	100R-2020S95	20-22-24	M28748	.045	.067	.040	Crimp Contact	4	M22520/1-01	107-0903-2A	M22520/1-03	107-0945	M81969/18-01	107-1015	M81969/20-01	107R1001	
M39029/85-275	100R-51020S95	20-22-24	M28748	.045	.067	.062	Crimp Contact	19	M22520/1-01	107-0903-2A	M22520/1-03	107-0945	M81969/18-01	107-1015	M81969/20-01	107R1001	
M39029/85-276	100B-51016S95	16-18-20	M28748	.067	.092	.062	Crimp Contact	19	M22520/1-01	107-0903-2A	M22520/1-03	107-0945	M81969/18-01	107-1015	M81969/20-01	107R1001	
M39029/85-441	100-202862-50	22-24-26	M28748	.035	.056	.030	Crimp Contact	30	M22520/2-01	107-43300	Buchm.614412		M81969/18-02	IT2857	M81969/20-02	RT2855	

Winchester

62 Barnes Industrial Road North, Wallingford, Connecticut 06492 Phone:(203)741-5400 Fax:(203)741-5500 www.winchesterelectronics.com

### OUTLINE

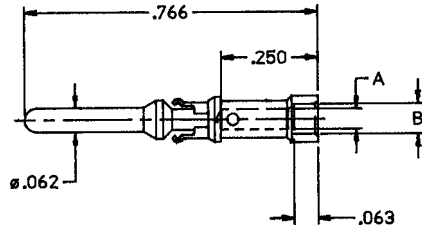


Figure 1

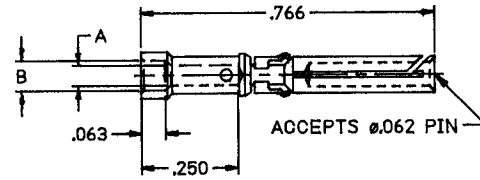


Figure 2

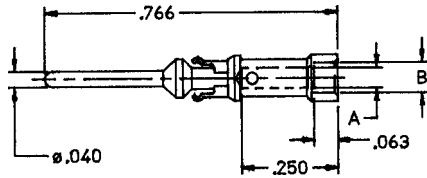


Figure 3

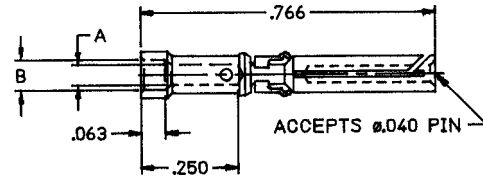


Figure 4

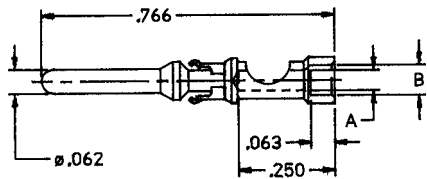


Figure 5

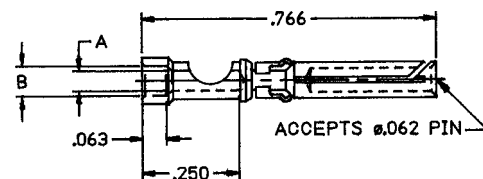


Figure 6

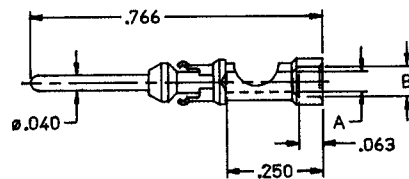


Figure 7

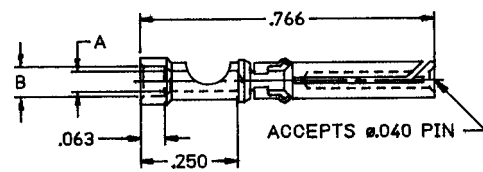


Figure 8

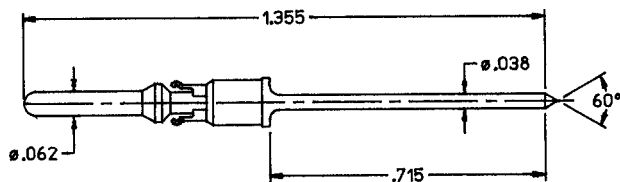


Figure 9

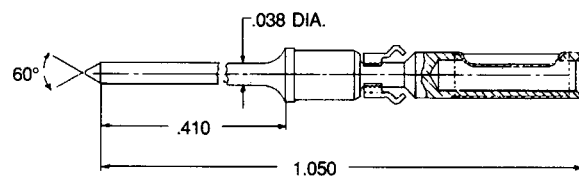


Figure 10

### OUTLINE

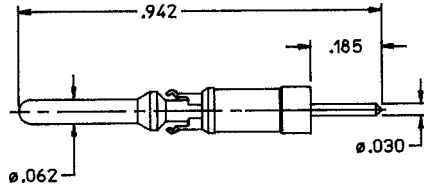


Figure 11

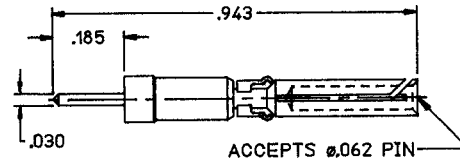


Figure 12

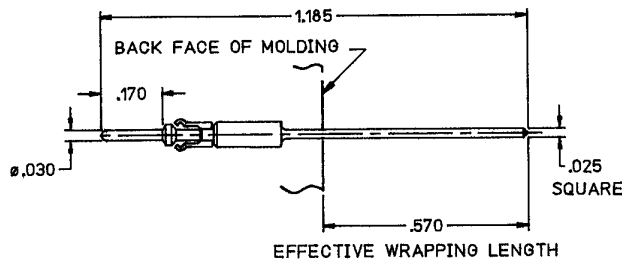


Figure 13

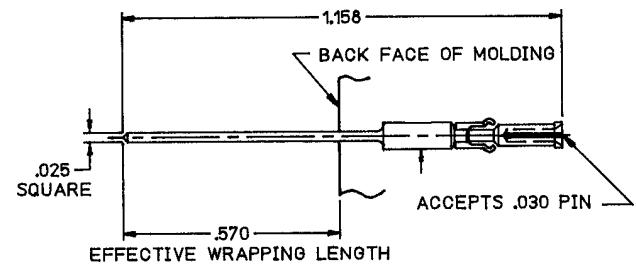


Figure 14

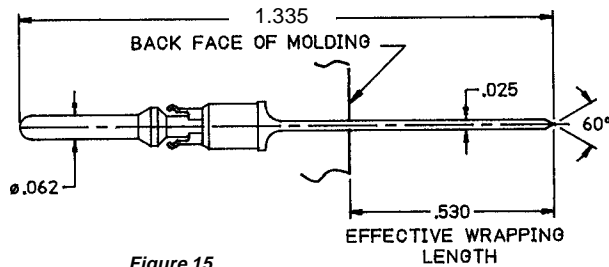


Figure 15

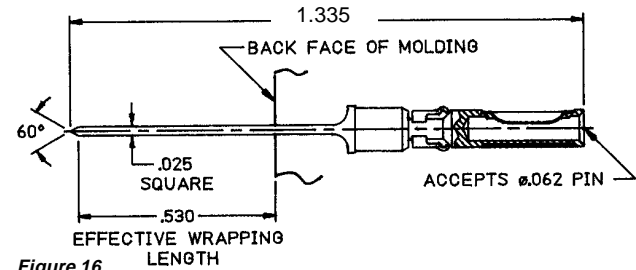


Figure 16

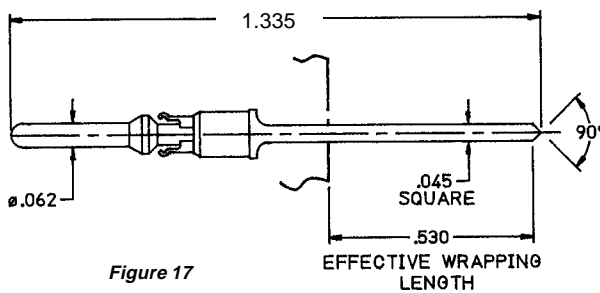


Figure 17

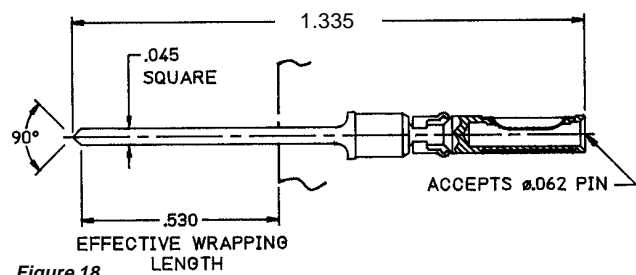


Figure 18

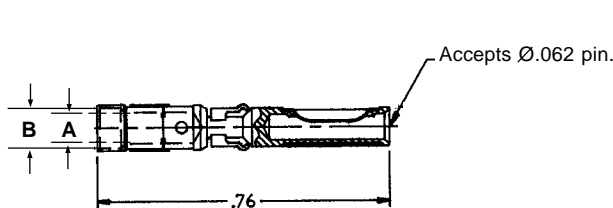


Figure 19

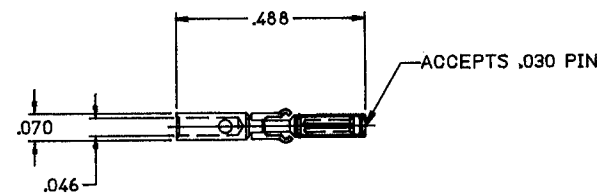


Figure 20

Winchester

62 Barnes Industrial Road North, Wallingford, Connecticut 06492 Phone:(203)741-5400 Fax:(203)741-5500 www.winchesterelectronics.com

# Rack & Panel

## 100 Series

## Removable Contacts

### OUTLINE

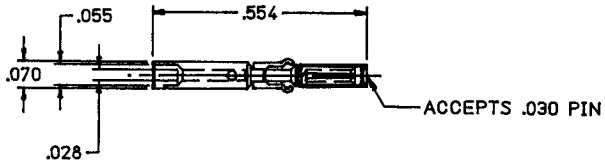


Figure 21

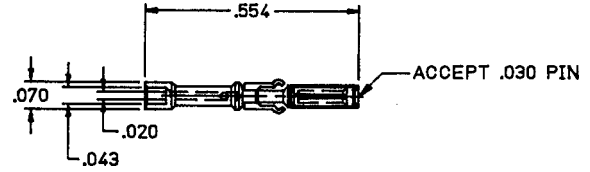


Figure 22

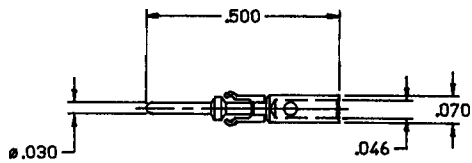


Figure 23

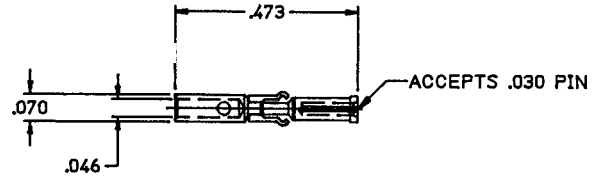


Figure 24

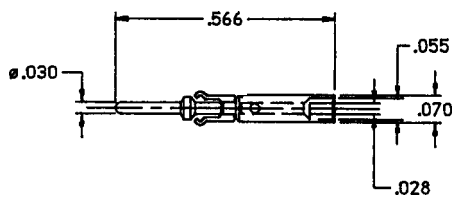


Figure 25

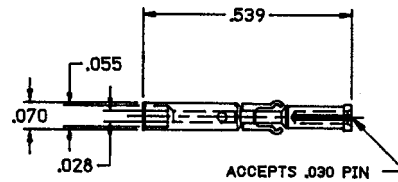


Figure 26

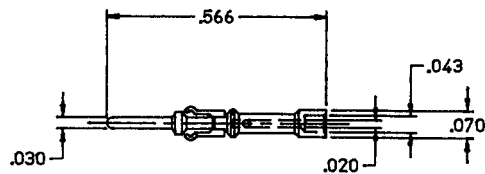


Figure 27

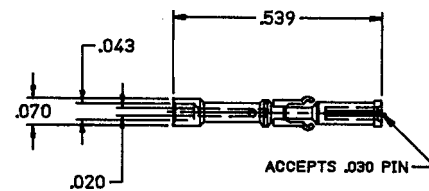


Figure 28

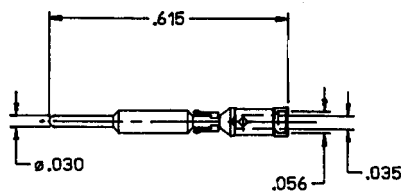


Figure 29

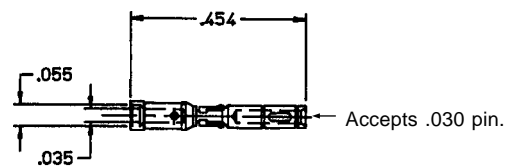


Figure 30

Winchester

62 Barnes Industrial Road North, Wallingford, Connecticut 06492 Phone:(203)741-5400 Fax:(203)741-5500 www.winchesterelectronics.com

### OUTLINE

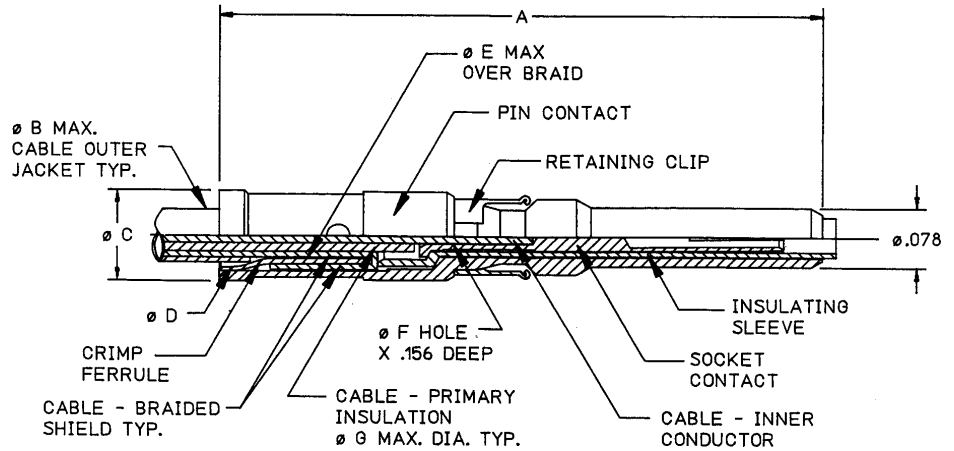


Figure 31

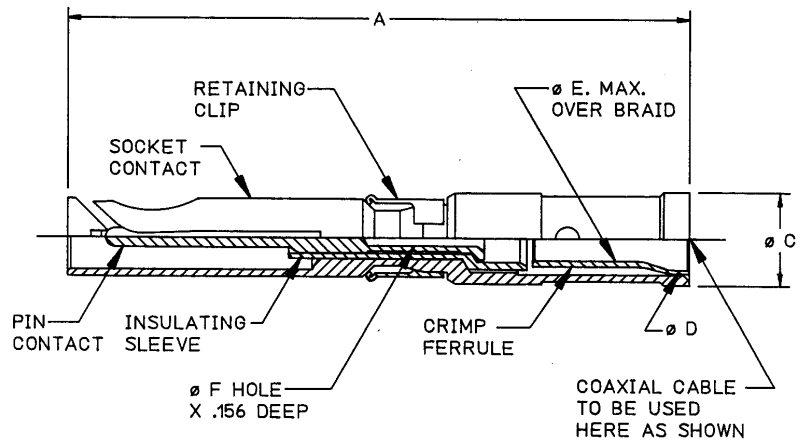


Figure 32

### ORDERING INFORMATION

Catalog Number	Style	Cable Sizes	Dimensions						
			A	B	C	D	E	F	G
100-8000P	Pin	RG178/U	.797	.080	.120	.082	.057	.020	.036
100-8000S	Socket	RG196/U							
100-8001P	Pin	RG161/U	1.031	.110	.137	.111	.082	.020	.063
100-8001S	Socket	RG179/U RG187/U							
100-8003P	Pin	RG174/U	1.031	.110	.137	.111	.082	.023	.063
100-8003S	Socket	RG188/U RG316/U							



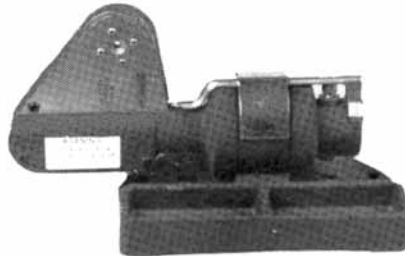
### PNEUMATIC AND HAND CRIMPING TOOLS



#### Automatic Feed Crimping Tool 600/1200 Crimps Per Hour

Catalog Number **107-0961**

Air operated tool provides for a large capacity reel and foot valve control. Crimp depths are accurately controlled by interchangeable snap-in depth blocks when the tool is bench mounted. Leaves operator's hands free. (Does not include reel or foot valve control.) Includes crimp depth blocks. Automatic Crimp Tool made up of bench mount (107-0962) and crimp tool (107-0960). Used to crimp 100-10\*\*P/S, 100-20\*\*P/S, 100-510\*\*S Series.



#### Pneumatic Hand Crimping Tool 400 Crimps Per Hour

Catalog Number **107-0918**

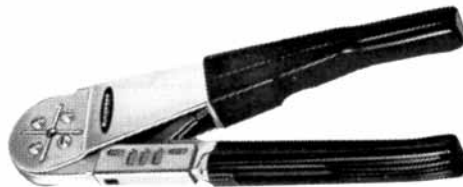
Requires 80/120 psi. Crimp depth adjustment made by internal screw. Locators, adaptor sleeves, and gage plugs should be ordered separately. Locator 107-0945 and adapter 107-0950 supplied with tool.



#### Hand Operated Crimping Tool 200/300 Crimps Per Hour

Catalog Number **107-0903-2A**

(Mil-T-22520 Class II Equivalent)  
Gage plugs should be ordered separately. Locator 107-0945 and Spanner wrench 107-1102 supplied with tool.



#### Miniature Hand Operated Crimping Tool

Catalog Number **107-43300**

This miniature version of the MS crimping tool is suited for the smaller crimp contacts such as the SREC series. It is only 7 1/2 inches long and weighs 10 1/2 ounces. Positioners are ordered separately.



#### Miniature Hand Operated Crimping Tool

Catalog Number **107-0625**

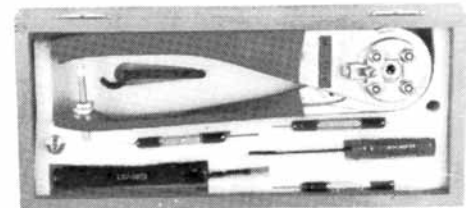
Miniature tool with a continuously variable crimp depth adjustment. Locators must be ordered separately.



#### Hand Operated Crimping Tool 200/500 Crimps Per Hour

Catalog Number **107-0970**

MS—3191-2 (Mil-T-22520 Class I)  
Ruggedly built hand tools with forged body, and four indentors machined from high grade tool steel. Size approximately 9 inches long. Weight approximately 19 ounces.



#### Tool Kit

Catalog Number **107K4**

Includes crimping tool 107-0903-2A, locator 107-0945, insertion tool 107-1015, removal tool 107R-1001, spanner wrench 107-1102 and go/no-go gages 5431.

# Rack & Panel

## 107 Series

## Crimping Tools And Accessories

### Guide Set Tool

This tool provides fast and easy installation of G7 and N7 Guide Sets. Screwdriver type tips are enclosed by cylindrical aligners that hold tips in place in the Guide pin and socket slots to prevent slippage. Tool holds pin or socket in place while hex nut is tightened with hex wrench.



Catalog Number **107-0701**  
for MRE / MRA / MRAC G7 / N7 Guide

Catalog Number **107-0704**  
for MRE 5-3, 8 / SREC N Guide



### Hex Wrench

This tool provides fast and easy installation of guides and fixed jacks. This tool may be used with the guide set tool.

Catalog Number **107-0703**  
for MRE / MRA / MRAC (hex size  $3/16$ )

Catalog Number **107-0708**  
for MRE 5-3, 8 / SRE / SREC (hex size  $5/32$ )



### Locators

Catalog Number	Used With	
	Contact	Tool
107-0626	SREC	107-0625
107-0627	MRAC (Inner) Shielded	
107-0628	MRAC 20, 22, 24, 26	
107-0945	MRAC	107-0902 & 107-0903-2A
107-43302	MRAC (Outer) Shielded	

### Positioners

Catalog Number	Used With	
	Contact	Tool
107-0981	MRAC Pin and Socket #14 & 16	107-0970
107-0977	MRAC Pin and Socket #16 & 18	
107-0976	MRAC Pin and Socket #20, 22, 24, 26	107-43300
107-43302	SREC #20 & 24	
107-43303	MRAC (Inner) Shielded	
107-43304	MRAC #20 22, 24, 26	



### Removable Contact Insertion Tools

Catalog Number **107-1011**  
for SREC

Catalog Number **107-1015**  
for MRAC / STD & Shielded



### Contact Pin Straightener

Catalog Number **107-1024**  
used on .040 or .062 dia.



### Removable Contact Removal Tools

Catalog Number **107-1005**  
for MRAC / STD & Shielded

Catalog Number **107-1012**  
for SREC

Catalog Number **107R1001**  
for MRAC / STD



### Gage Plug

Catalog Number **5431**  
When ordering gage plugs, please specify:

1. Tool
2. Contact Size
3. Wire Size

## CRIMPING TOOLS



### Bench Mount For Crimping Tool 107-0960

Catalog Number **107-0962**  
includes crimp depth blocks



### Crimp Depth Blocks For Crimping Tools 107-0960 and 107-0961

Catalog Numbers **107-0965 - #20, 107-0966 - #16, 107-0967 - #12**



### Spanner Wrench

Catalog Number **107-1102**  
for use with **107-0903-2A**  
Crimping Tool

Winchester.

62 Barnes Industrial Road North, Wallingford, Connecticut 06492 Phone:(203)741-5400 Fax:(203)741-5500 www.winchesterelectronics.com