

# PULSEJACK™

## 2xN PoE Gigstack





U.S. Patent #7241181

### Description:



PoE 10/100/1000Base-T RJ45 2xN Integrated Magnetics Connector, designed for most leading PHY manufacturers, with the addition of power feeding over signal pairs.



### Features and Benefits:

-  RoHS peak wave solder temperature rating 260°C
-  Suitable for CAT 5 & 6 UTP cable or better
-  Internal magnetics are 100% electrically tested for HI-POT and functionality per IEEE802.3 requirement
-  PoE rating: 15W, 350mA, 48V

### Electrical Performance Summary:

-  350µH minimum OCL with 8mA bias current
-  High performance for maximum EMI suppression

### Electrical Specifications @ 25°C — Operating Temperature 0°C to +70°C

RoHS Compliant Part Number (Number of Ports)	LEDs <sup>1</sup> (L/R)	Insertion TX/RX (dB TYP)	Return Loss (dB TYP) 100Ω (±15Ω)				Crosstalk (dB TYP)			Common Mode Rejection (dB TYP)		Hipot (Vdc MIN)  1 MIN
			1-125 MHz	1-40 MHz	60 MHz	100 MHz	1-10 MHz	30-60 MHz	60-100 MHz	1-10 MHz	10-150 MHz	
J0B-0364NL (2X4)	G-Y/G-Y	-0.8	-20	-17	-14	-40	-35	-30	-50	-40	2250	
J0B-0366NL (2X6)	G-Y/G-Y	-0.8	-20	-17	-14	-40	-35	-30	-50	-40	2250	
J0B-0368NL (2X8)	G-Y/G-Y	-0.8	-20	-17	-14	-40	-35	-30	-50	-40	2250	

NOTES: 1. Bi-color LEDs: G-Y = green/yellow. Contact Pulse For LED options

### RJ45 Durability Test Rating

Part Number	Mating Force (MAX)	Unmating Force (MAX)	Durability	Plug to Jack Retention (MIN)
J0B Series	5 lbs./2.268 kgs.	5 lbs./2.268 kgs.	750 Insertions	20 lbs./9.072 kgs.

### RJ45 Material Specification

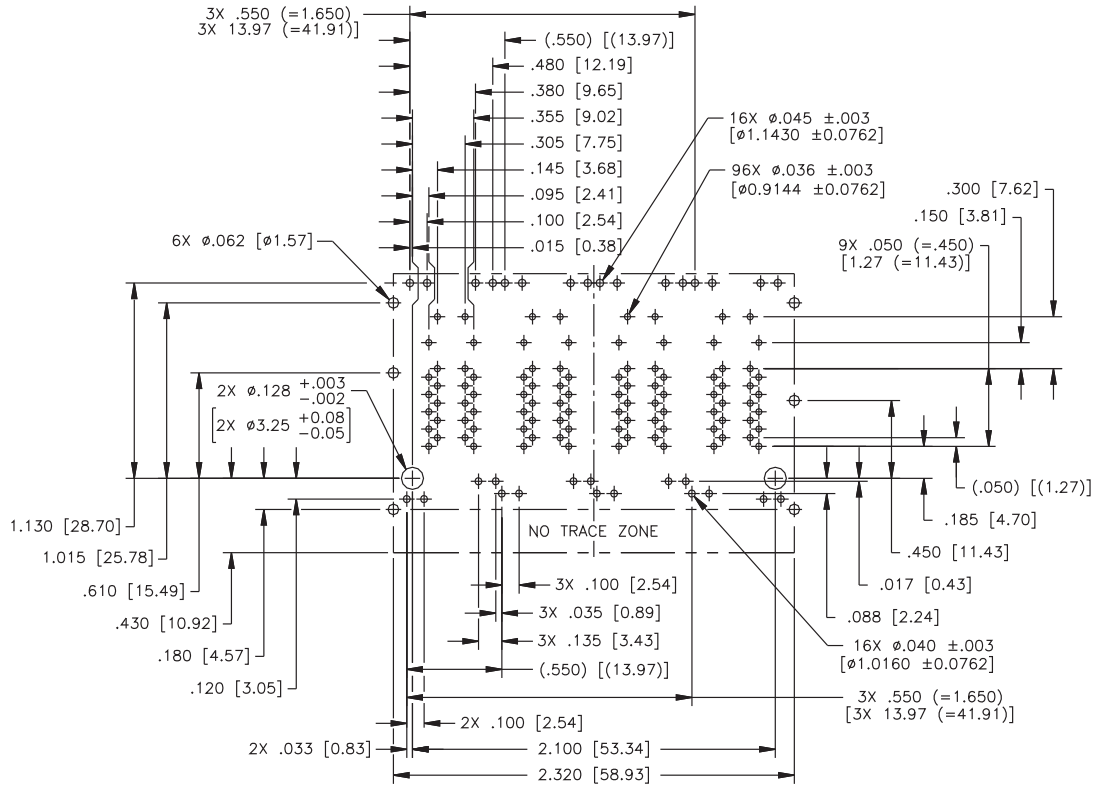
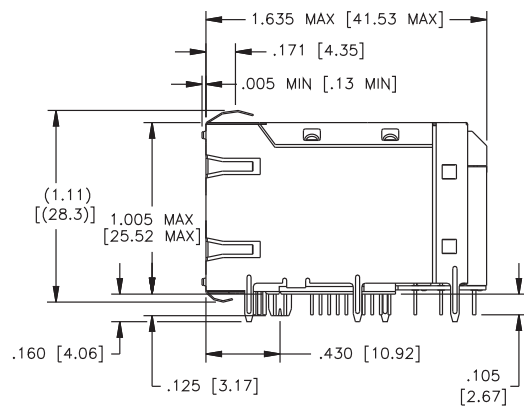
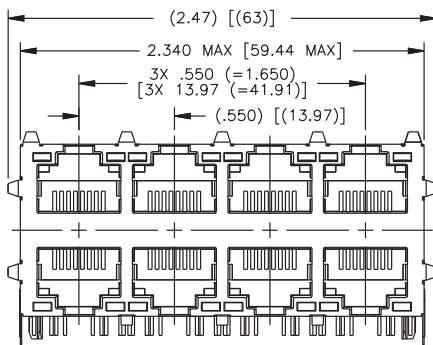
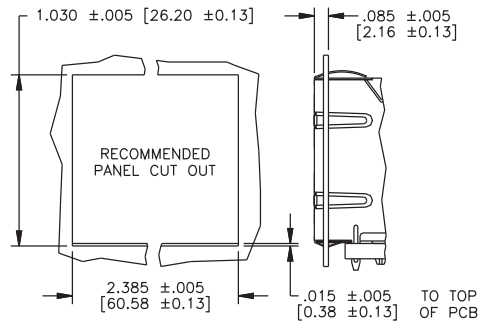
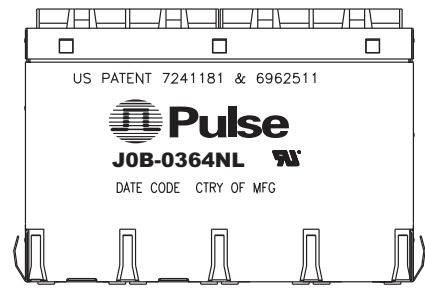
Part Number	Shield		Contact			Housing		MSL Rating
	Material	Finish	Material	Plating Area	Solder Area	Material	Specification	
J0B Series	Brass	20-40µ inches thick nickel over brass	Phosphor Bronze	50µ inches gold over 30-50µ inches nickel	75-300µ inches tin-lead over 50-100µ inches nickel	Thermoplastic	UL 94 V-0	1

NOTES:

1. Connector dimensions comply with FCC dimension requirements.

### 2X4 Mechanicals

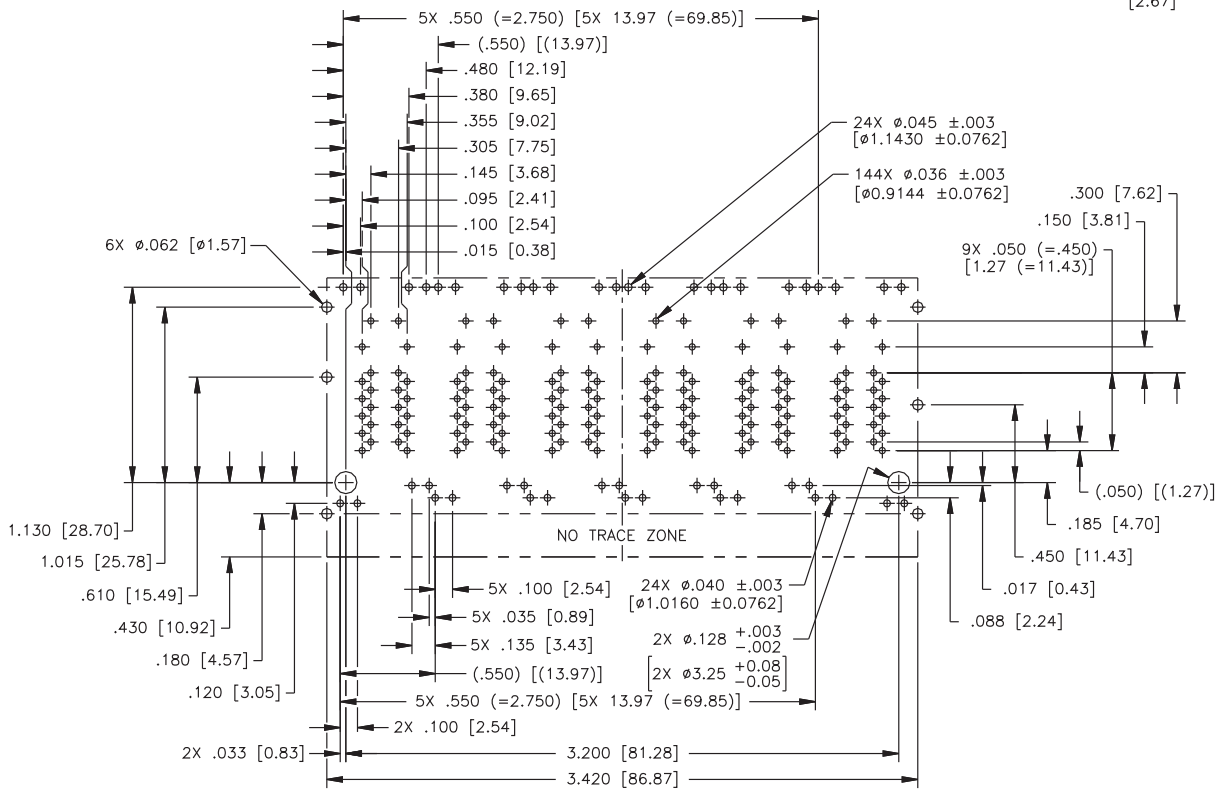
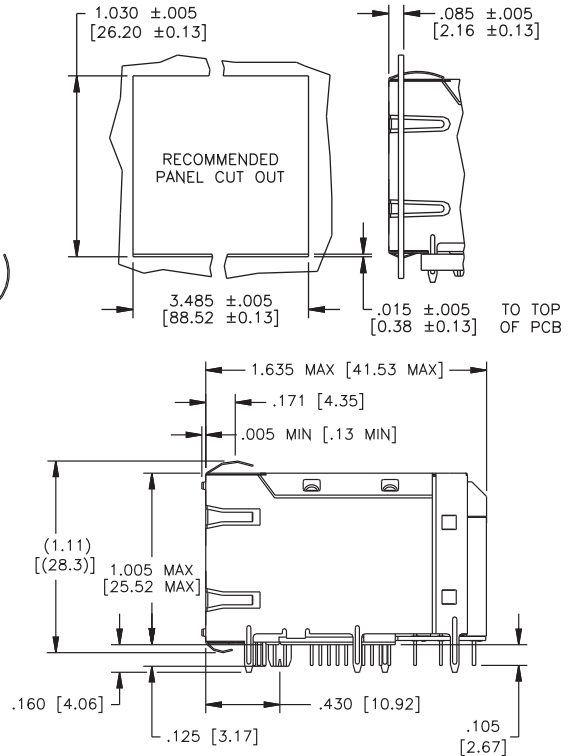
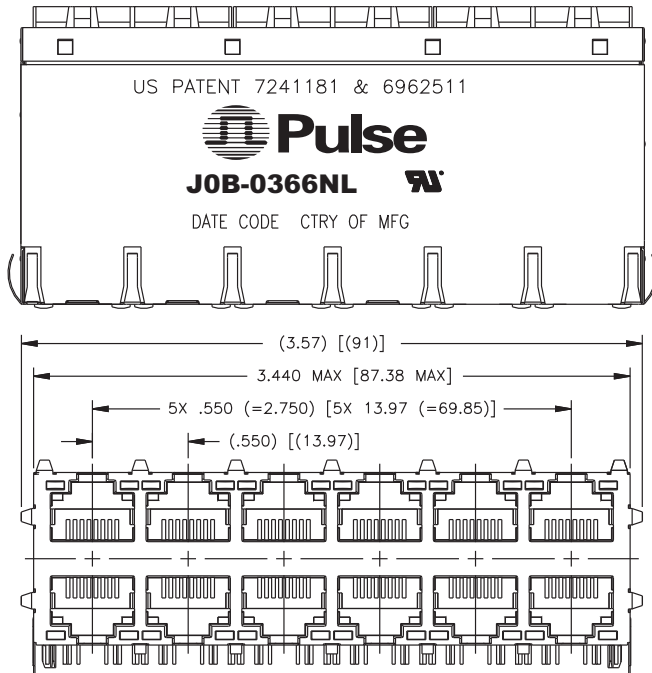
**JOB-0364NL**



SUGGESTED PC BOARD LAYOUT VIEWED FROM COMPONENT SIDE  
UNLESS OTHERWISE SPECIFIED DIMENSIONAL TOLERANCE IS ±.002

**2X6 Mechanicals**

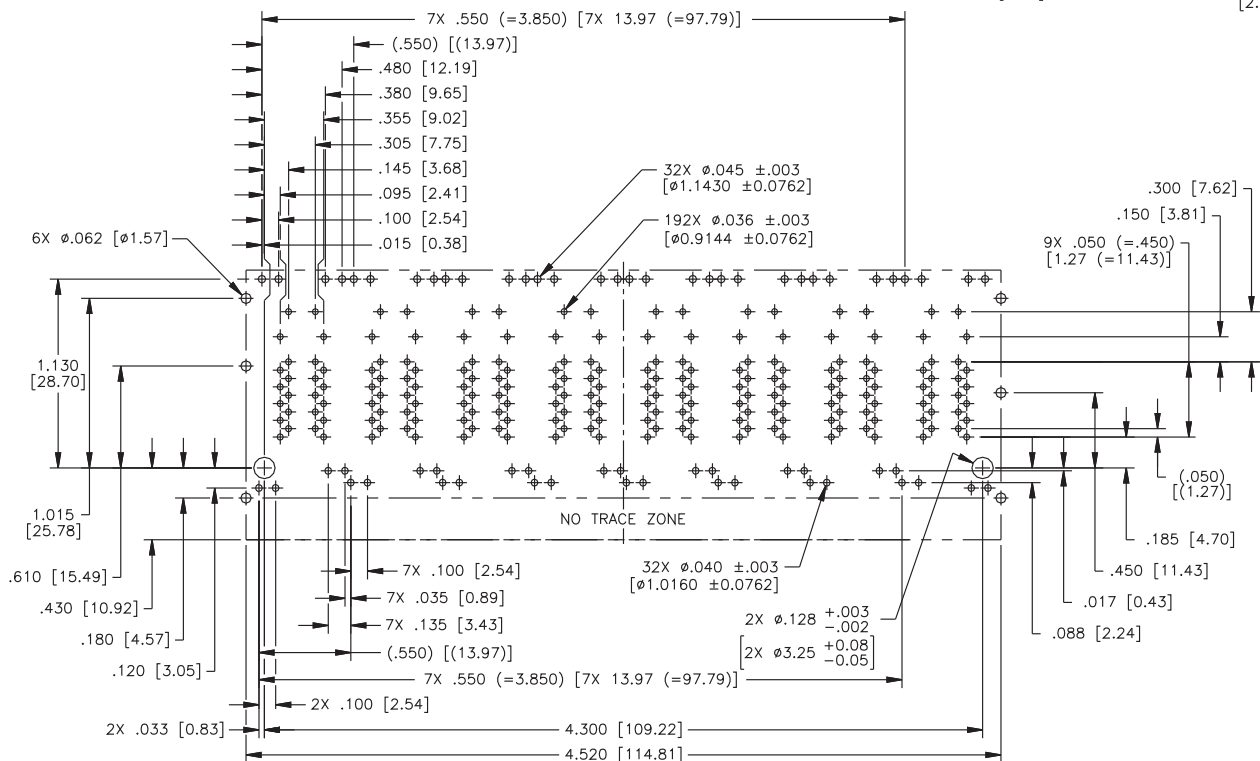
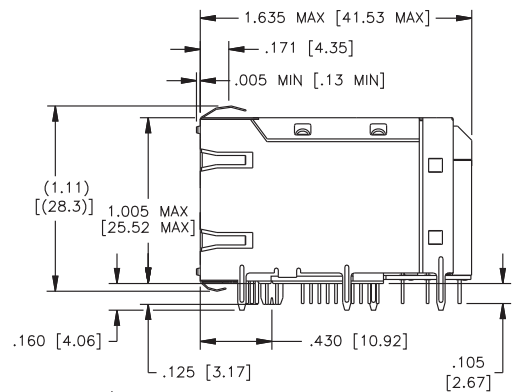
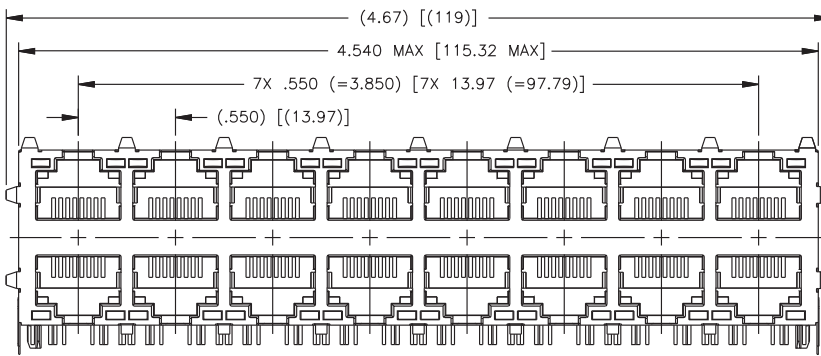
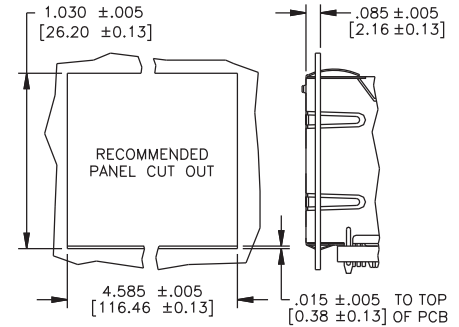
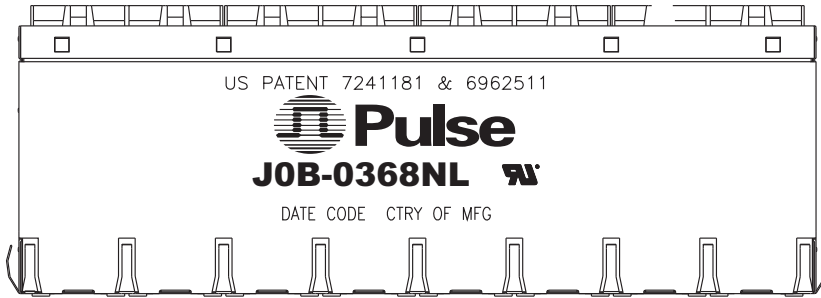
**JOB-0366NL**



SUGGESTED PC BOARD LAYOUT VIEWED FROM COMPONENT SIDE  
 UNLESS OTHERWISE SPECIFIED DIMENSIONAL TOLERANCE IS ±.002

**2X8 Mechanicals**

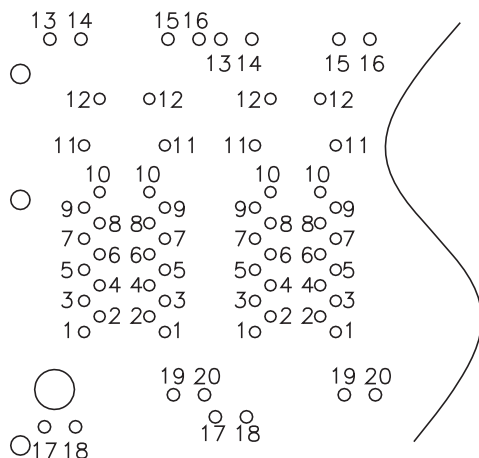
**JOB-0368NL**



SUGGESTED PC BOARD LAYOUT VIEWED FROM COMPONENT SIDE  
 UNLESS OTHERWISE SPECIFIED DIMENSIONAL TOLERANCE IS ±0.002

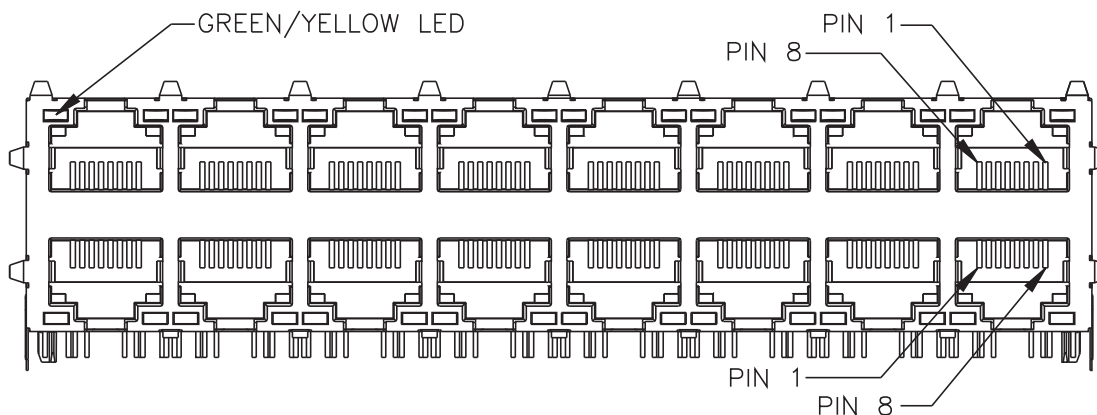
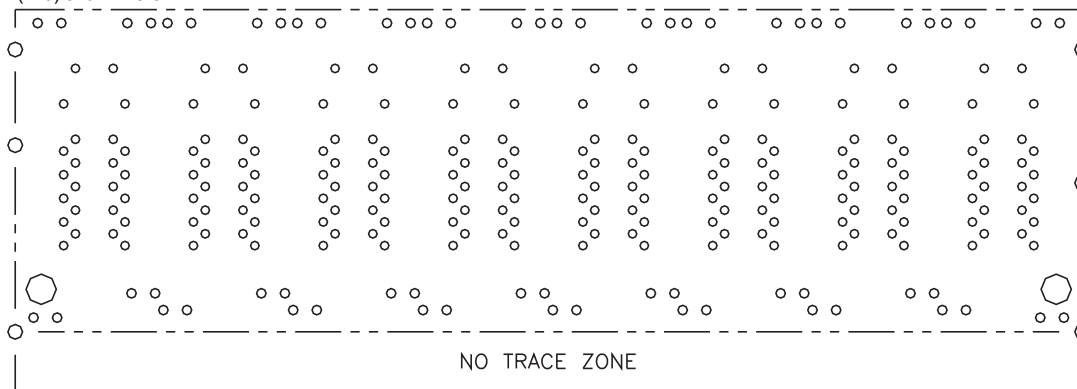
**Pin-out Assignment**

**J0B-0364NL/66NL/68NL**



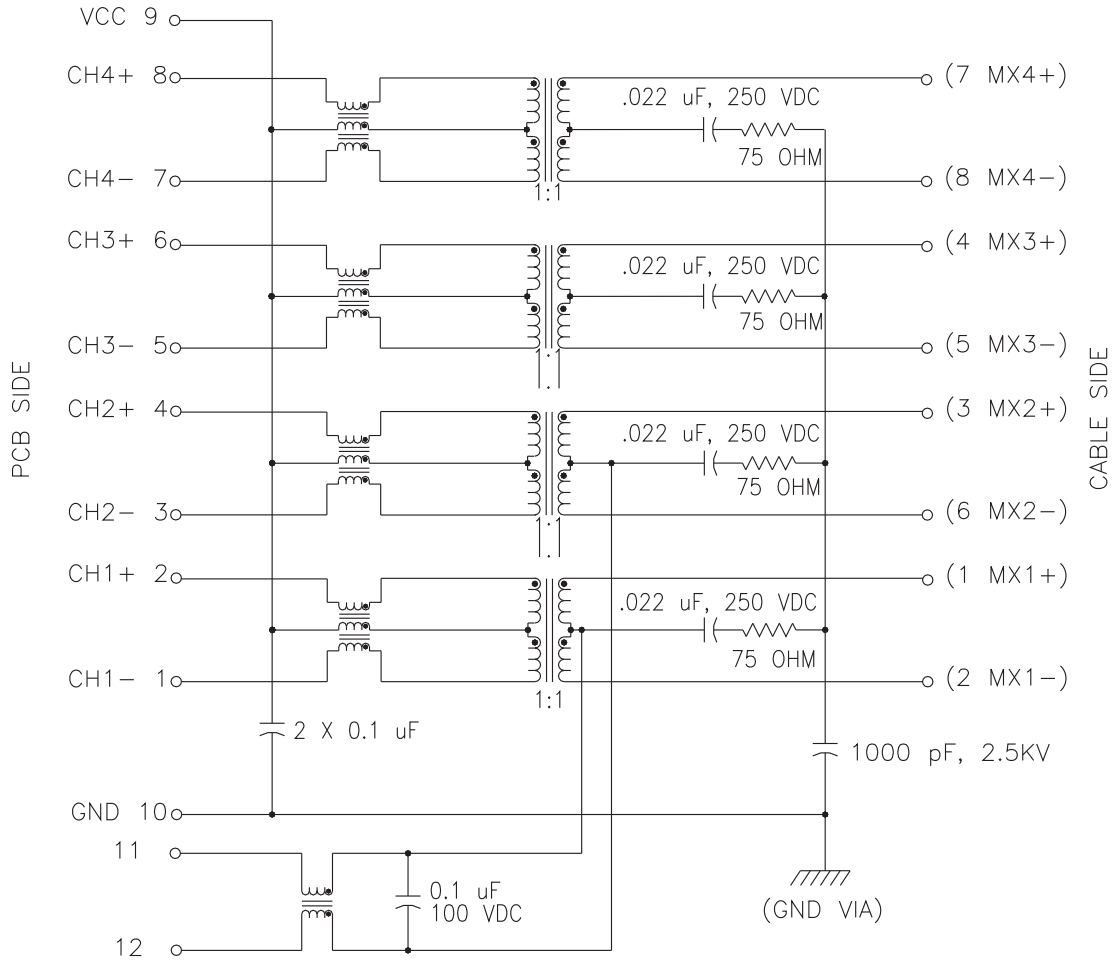
PIN ASSIGNMENT (COMPONENT SIDE VIEW)

**NOTE:** All parts use the same port identification system. J0B-0368NL (2x8) shown here.

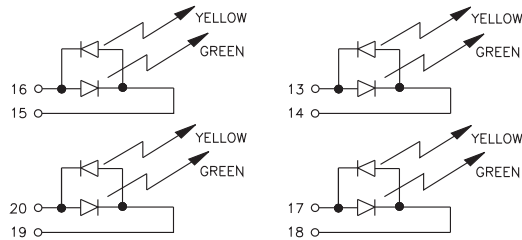


**Schematic**

**J0B-0364NL/66NL/68NL**



EMMITTED COLOR	GREEN	YELLOW
WAVELENGTH (nm)	570 nm	590 nm
BRIGHTNESS (mCD)	8.5 TYP. @ 20mA	6 TYP. @ 20 mA
VIEWING ANGLE	100°	100°
POWER DISSIPATION (Pd)	85 mW MAX	85 mW MAX
FORWARD VOLTAGE (Vf)	2.2 TO 2.8 V	2.15 TO 2.8 V
REVERSE VOLTAGE (Vr)	5.0 V MAX	5.0 V MAX



**For More Information:**

**Pulse Worldwide Headquarters**

12220 World Trade Dr.  
 San Diego, CA 92128  
 U.S.A.  
[www.pulseeng.com](http://www.pulseeng.com)

**Pulse European Headquarters**

Einsteinstrasse 1  
 D-71083 Herrenberg  
 Germany

**Pulse China Headquarters**

B402, Shenzhen Academy of  
 Aerospace Technology Bldg.  
 10th Kejian Rd.  
 High-Tech Zone  
 Nanshan District  
 Shenzhen, PR China 518057

**Pulse North China**

Room 1503  
 XinYin Building  
 No. 888 YiShan Rd.  
 Shanghai 200233  
 China

**Pulse South Asia**

150 Kampong Ampat  
 #07-01/02  
 KA Centre  
 Singapore 368324

**Pulse North Asia**

No. 26  
 Kao Ching Rd.  
 Yang Mei Chen  
 Taoyuan Hsien  
 Taiwan, R. O. C.  
 32667

TEL: 858 674 8100  
 FAX: 858 674 8262

TEL: 49 7032 7806 0  
 FAX: 49 7032 7806 12

TEL: 86 755 33966678  
 FAX: 86 755 33966700

TEL: 86 21 32181071  
 FAX: 86 21 32181396

TEL: 65 6287 8998  
 FAX: 65 6280 0080

TEL: 886 3 4643715  
 FAX: 886 3 4641911

Performance warranty of products offered on this data sheet is limited to the parameters specified. Data is subject to change without notice. Other brand and product names mentioned herein may be trademarks or registered trademarks of their respective owners. © Copyright, 2010. Pulse Engineering, Inc. All rights reserved.