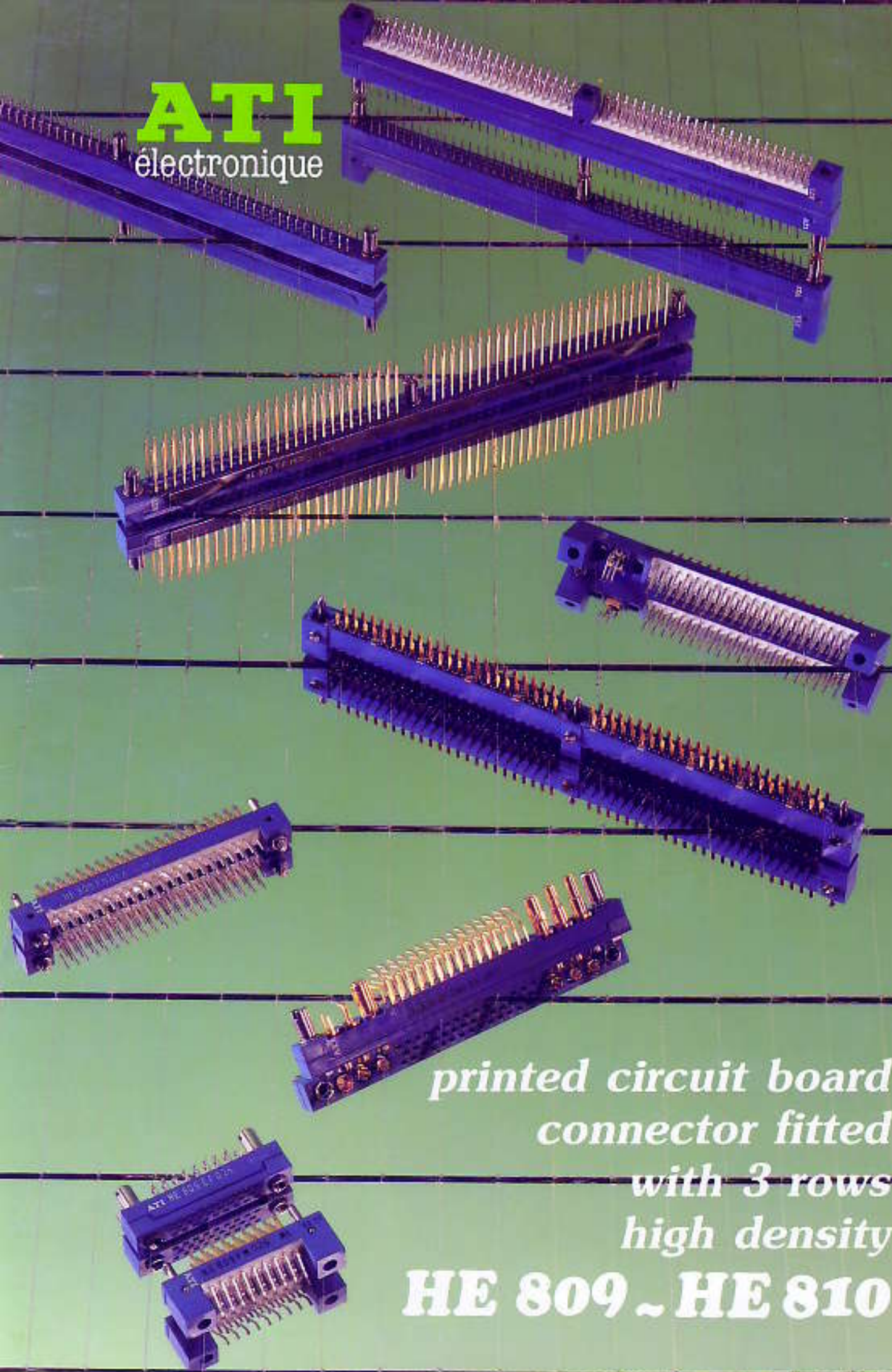


ATI
électronique



*printed circuit board
connector fitted
with 3 rows
high density*
HE 809 ~ HE 810

SUMMARY

PAGES

Features - Material and finishes	2
Technical Characteristics	3
Installation conditions - Dimensions	4
Connector identification	5

HE 809

Mould sizes	6
Part number system	7
Right angle and SMT male	8
Mounting details right angle and SMT male	9
Solder, p.c. (straight) & wire wrapping female	10
Mounting details straight p.c. female	11
Straight p.c. female	12
Part number system straight p.c. male, right angle female and SMT	13
Straight p.c. male	14
Mounting details straight p.c. male	15
Right angle female and SMT	16
Mounting details right angle female and SMT	17

HE 810

Mould sizes	19 and 20
Part number system	21
Right angle and SMT male	22
Mounting details right angle male	23
Mounting details SMT male	25
Solder p.c. (straight) & wire wrapping female	26
Mounting details straight p.c. female	27
Straight p.c. female	28
Part number system straight p.c. male, right angle female and SMT	29
Straight p.c. male	30
Mounting details straight p.c. male	31
Right angle female and SMT	32
Mounting details right angle female and SMT	33
Operating instructions for coding adjustment	34
H.F. coaxial contacts	35 to 37
Interchangeability	38
Mounting details for coaxial contacts	39 and 40
High power contacts	41
Mounting details for printed circuit board connector with l.f. and high power contacts	42
Mounting details for extender card and removal tools for coaxial and high power contacts	43

SERIES HE 809 and HE 810

SPECIFICATIONS

High density p.c.b. connectors three rows, mainly dedicated to the aeronautic and military applications in accordance with :

- NF. UTE C 93424
 - CECC 75 101 001
-

FEATURES

The HE 809 series of connectors has three rows of L.F. contacts.

- Staggered pitch of 1.27 mm.
- Pitch between contact in the same row 2.54 mm.
- Pitch between rows 1.905 mating side and 2.54 mm termination side.

The HE 810 series offers the additional option of mixed layouts, 3, 6, 7 and 10 cavities capable of accepting coaxial, high power and optical inserts.

MATERIAL AND FINISHES

INSULATOR BODY

Moulding glass filled diallyl-phtalate.

GUIDES

Stainless steel providing four functions : fixing, jacking, guiding, 6 positions coding (the centre guide is also polarised).

FEMALE CONTACTS

Stamped, copper alloy.
Contact type : running fork.
Contact finish : gold over nickel.

MALE CONTACTS

Stamped, copper alloy.
Contact type : blade.
Contact finish : gold over nickel.

ISO 9002 - TQE.2 - QUALIFAS A - NATO Code : F 0318

SERIES HE 809 and HE 810

TECHNICAL CHARACTERISTICS

According to the NF/UTE C 93424

Working voltage (at sea level 1013 mbar)	: 250 Vrms, 50 Hz.
Proof voltage	: 1000 Vrms.
Nominal current per contact	: 3 A.
Contact resistance	: 0.012 Ohms max.
Dry insulation resistance	: $5 \cdot 10^3$ M Ohms min.
Separating force per contact	: 0.14 N min.
Environmental classification	: 434 : - 55 + 125°C.
Mechanical endurance	: 500 operations min.
Contact security on extraction	: 1,5 mm withdrawal
Random vibrations	: Tests request

HE 810 COAXIAL CONTACTS

Reference specification	: NFC 93569 KMX 3 Series.
Environmental classification	: 434 : - 55 + 125°C.
Characteristic impedance	: 50 Ohms.
Operating frequency	: 1000 MHz.
Working peak voltage	: 250 V.
Reflection coefficient at 1000 MHz	: 1.3 max.
Connecting cables	: Flexible KX 21 A (NFC 93550). : Flexible KX 22 A (NFC 93550). : Flexible, other : see page 36. : Semi-rigid KS 1 (NFC 93551) Other coaxial, cables than those specified can be used : Please consult factory.

HE 810 HIGH POWER CONTACTS

Characteristics	Conformity with NFC 93569 - KMX3	Special
Climatic range	434 : - 55° C + 125° C	434 : - 55° C + 125° C
Nominal current	10 A	20 A (25 A peak) under 30 Vdc
Usable cables	AWG 1,6 max. max. Ø insulator 2,8	AWG 12 to 16

SERIES HE 809 and HE 810

INSTALLATION CONDITIONS

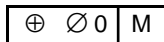
The daughter board fitted with the male free connector must use card guides.

Alignment and polarisation of male free connector :

- 1 - On assembly it is essential that the T.P. error of the guide axis is not greater than 0.3 mm.
- 2 - There must be sufficient card guide clearance to enable the connector to be adjusted to its theoretical axis.

The drilling of p.c. holes for termination styles Y• & V• must conform to the specification requirements.

The diameter must be a minimum of 0.75 mm.



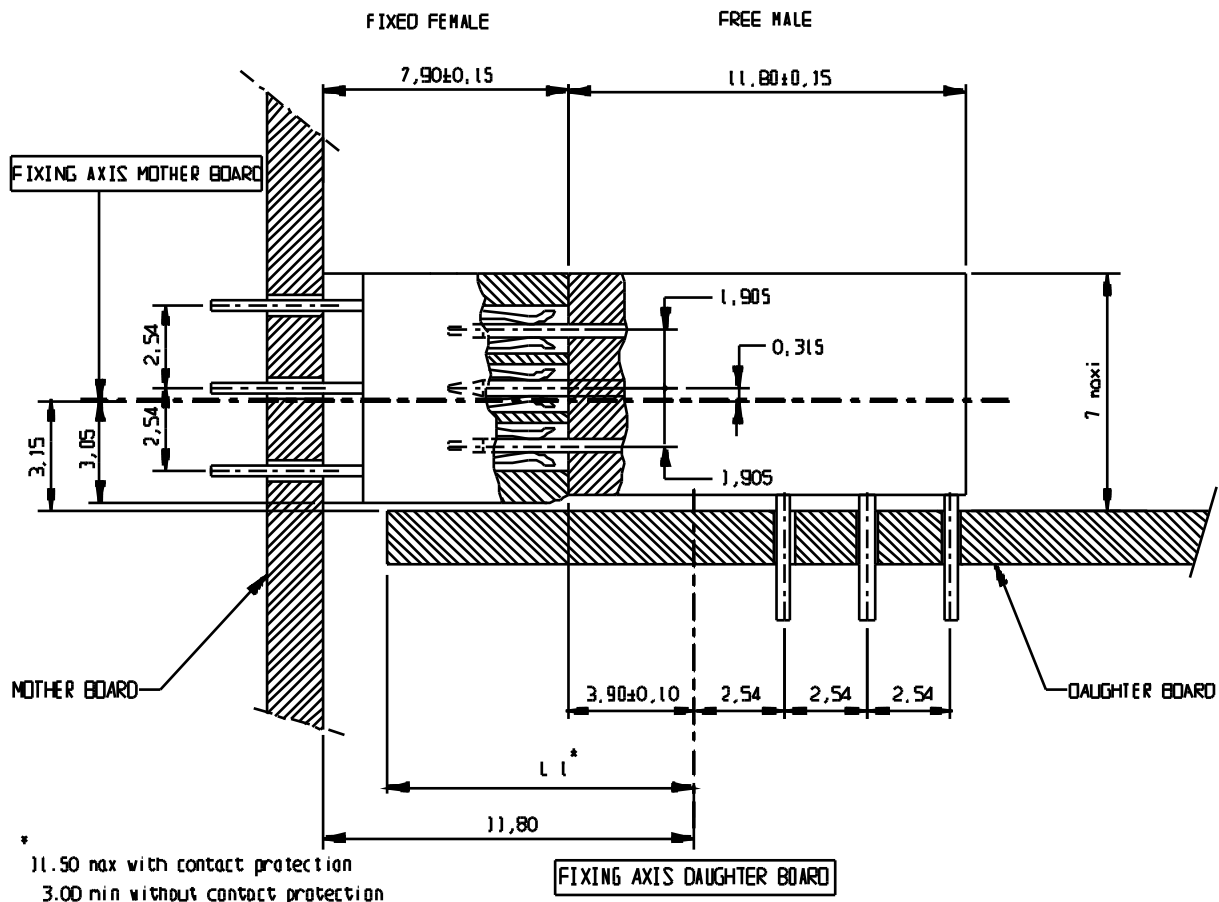
It is therefore advisable for this diameter to be marginally greater than 0.75 mm. in order to allow for board hole tolerances and facilitate easier insertion of the larger connector sizes.

In order to provide easier insertion of the contact termination into the p.c.b. the following tools can be supplied :

- For HE 809 : B24.
- For HE 810 : B24 + additional B28.

They are essential for right angle termination female connectors and are recommended for the larger sizes (right angle male and straight female).

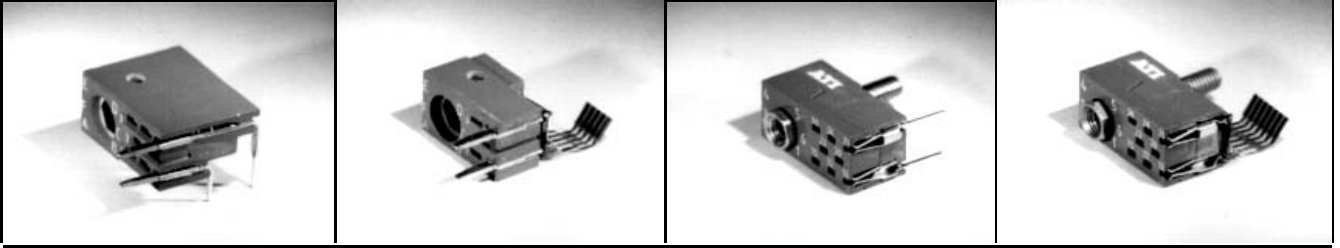
DIMENSIONS OF 2 MATED CONNECTORS



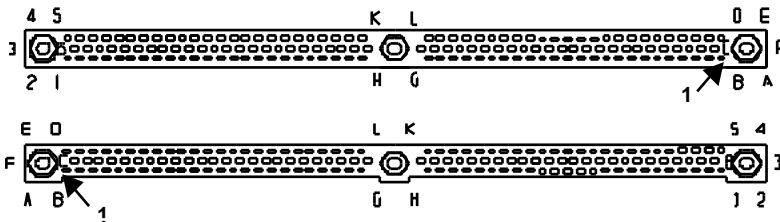
NOTE : See page 43 (dimensions for extender card).

CONNECTOR IDENTIFICATION

HE 809



CONNECTOR MARKING

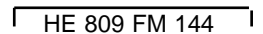


Marking of the "SOCKET" viewed on the mating side (n° 1 right down).

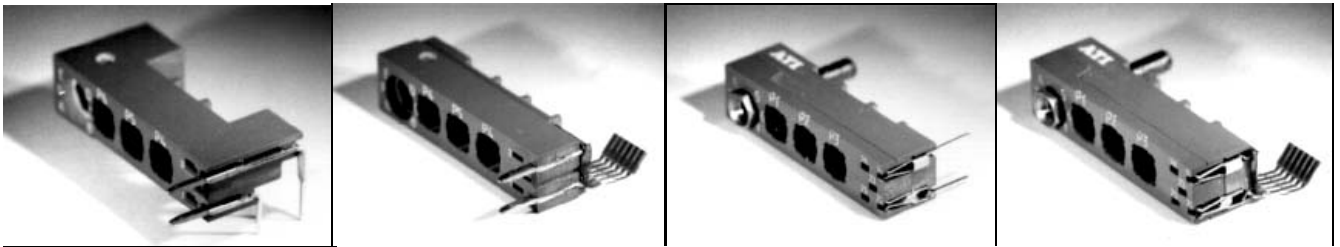
Marking of the "PLUG" viewed on the mating side (n° 1 left down).

IDENTIFICATION

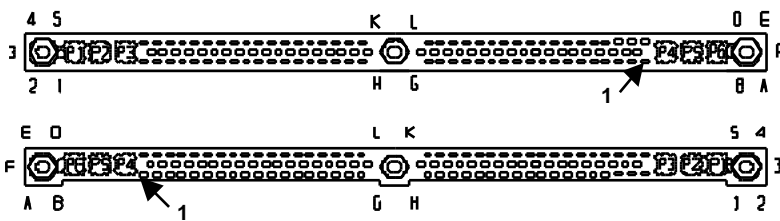
Connector identification may be partial and restricted to section.*



HE 810



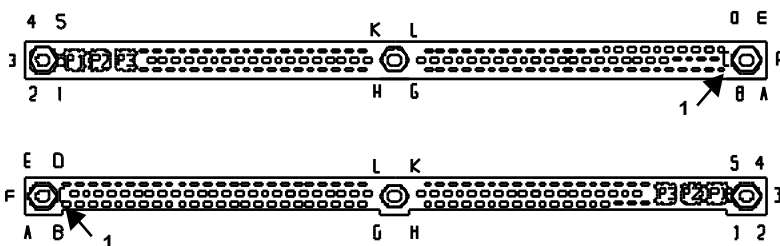
CONNECTOR MARKING



Marking of the "SOCKET" viewed on the mating face. Contacts are numbered, L.F. from the right, coaxial/power from the left.

Marking of the "PLUG" viewed on the mating face. Contacts are numbered, L.F. from the left, coaxial/power from the right.

PARTICULAR CASE : MOULDING WITH CAVITIES FOR COAXIAL AND POWER CONTACTS JUST ON ONE SIDE



The connectors equipped with female contacts have a marking "SOCKET" only. Contacts are numbered, L.F. from the right, coaxial/power from the left.

The connectors equipped with male contacts have a marking "PLUG" only. Contacts are numbered, L.F. from the left, coaxial/power from the right.

IDENTIFICATION

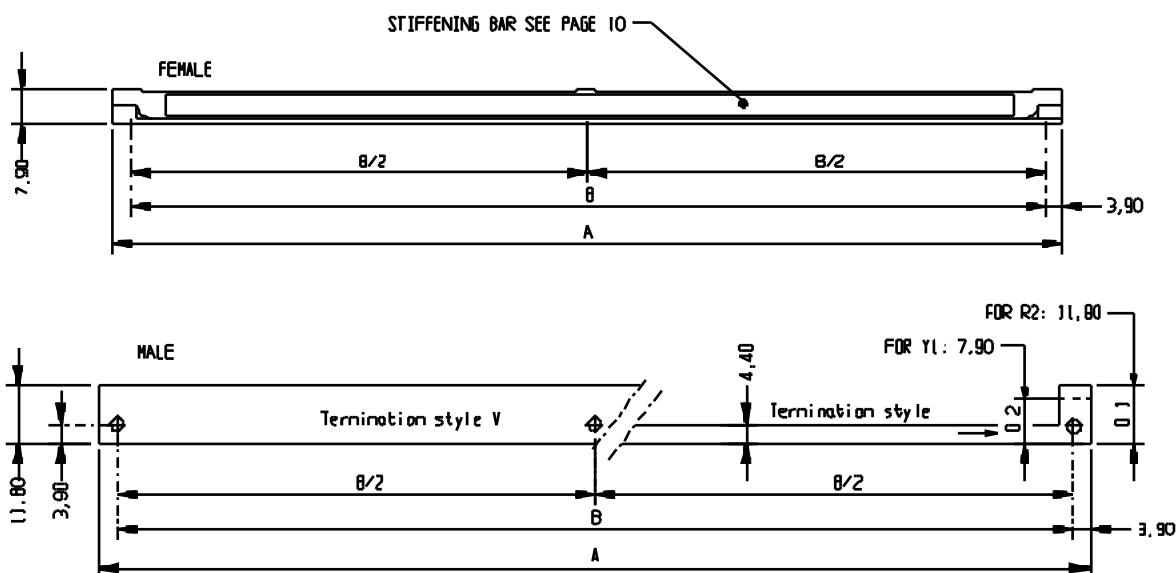
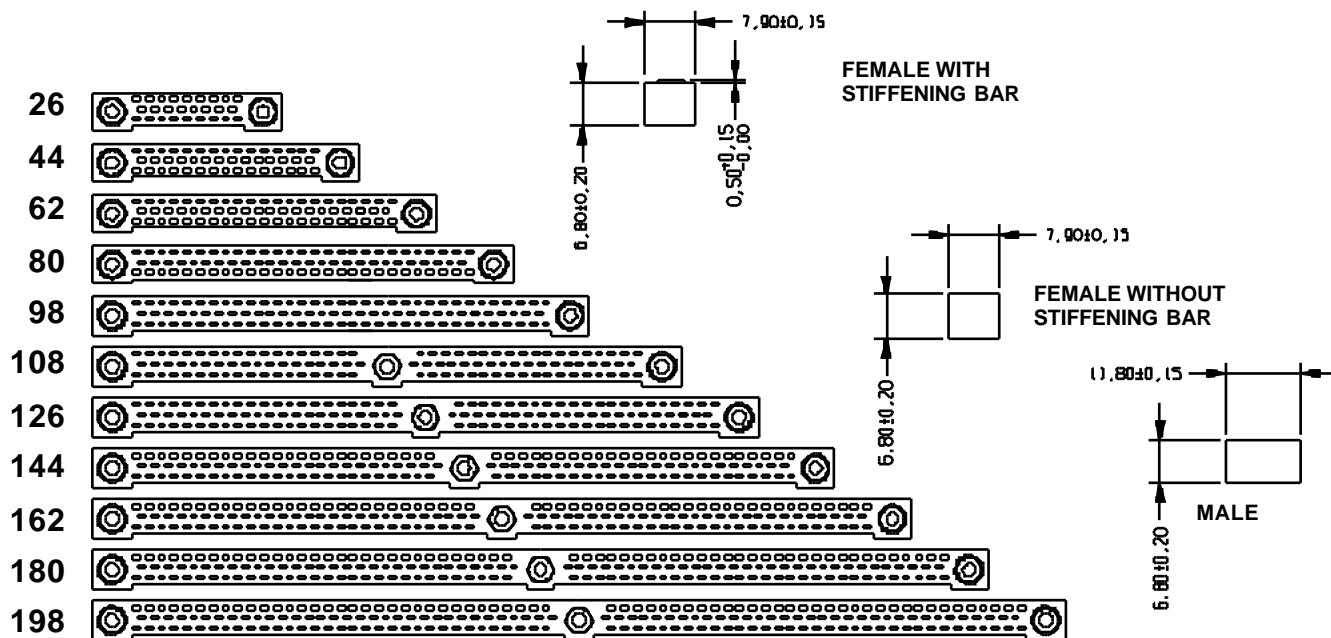
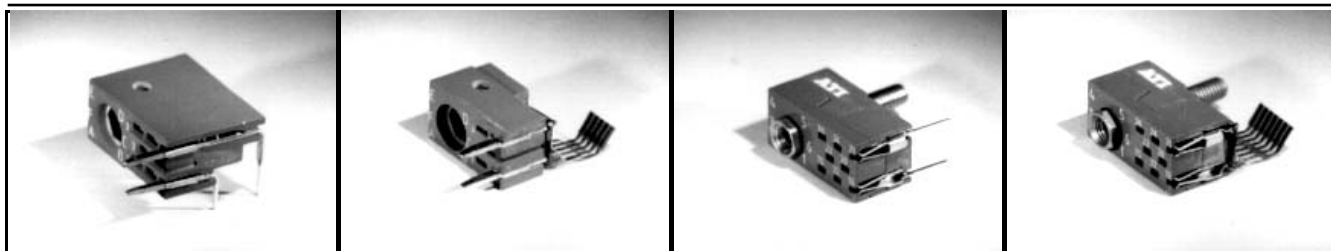
Connector identification may be partial and restricted to section.*



* See page 7.

SERIES HE 809

MOULD SIZES AND DIMENSIONS



CONTACTS	26	44	62	80	98	108	126	144	162	180	198
A ⁰ -1	38.5	53.7	69	84.2	99.5	114.7	129.9	145.2	160.4	175.7	190.9
B	30.48	45.72	60.96	76.2	91.44	106.68	121.92	137.16	152.4	167.64	182.88

SERIES HE 809

PART NUMBER SYSTEM

RIGHT ANGLE AND SMT MALE PLUG	HE 809 FM 144	A	V1	A	3	0.8
RIGHT ANGLE AND SMT MALE SOCKET	HE 809 EM 144	A	V1	A	3	0.8

Number of contacts (sizes)
026-044-062-080-098-108-126-144-162-180-198

Options : Without stiffening bar
Description and conditions of use
See page 8

Termination styles

V1, V2, R2

Guide styles

A, K, F, AB, L, AC, P

Termination finish Tin alloy

3

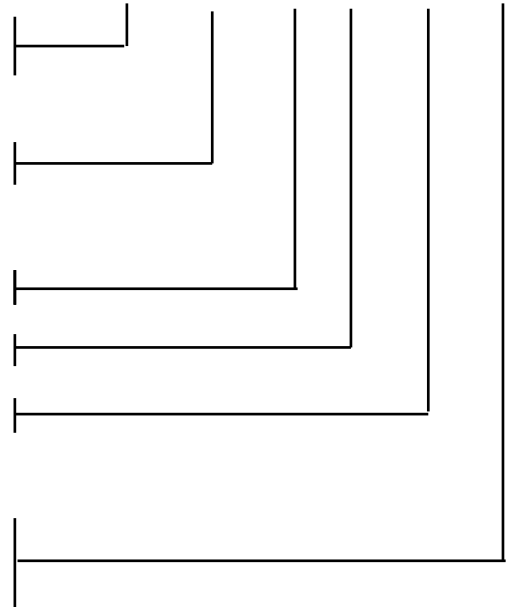
Contact area finish :

Standard : 0.8 micron min. gold thickness (previously B)

0.8

Others * : 1.27 micron min. gold thickness (previously C)

1.2



STRAIGHT P.C. FEMALE SOCKET	HE 809 EF 098	A	Y3	B	3	0.8
STRAIGHT P.C. FEMALE PLUG	HE 809 FF 098	A	Y3	B	3	0.8

Number of contacts (sizes)
026-044-062-080-098-108-126-144-162-180-198

Options : Without stiffening bar
Description and conditions of use With stiffening bar
See page 10

Termination styles

Y1, Y2, Y3, Y4, Y6, K2, K3, C1

Guide styles

B, C, H, J, Q, S, T, W, X

Termination finish Gold
See page 10 Tin alloy

2
3

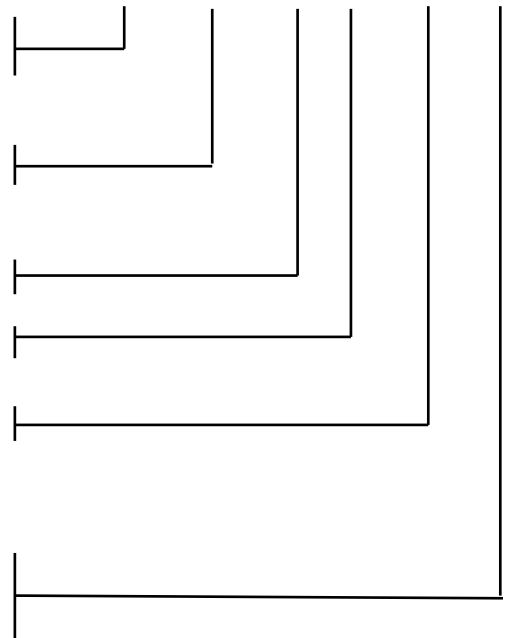
Contact area finish :

Standard : 0.8 micron min. gold thickness (previously B)

0.8

Others * : 1.27 micron min. gold thickness (previously C)

1.2

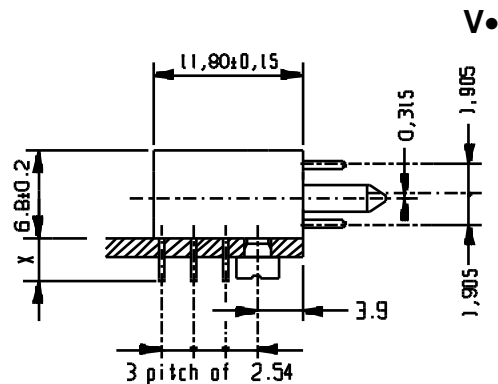


* Other finishes can be supplied but a minimum contact quantity is required : Please consult factory.

SERIES HE 809

RIGHT ANGLE AND SMT MALE

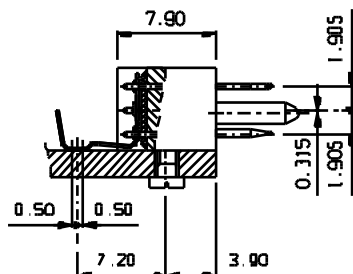
TERMINATIONS STYLES L.F.



	X	
	min.	max.
V1 : for use with 1.6 p.c.b.	2.6	3.2
V2 : for use with 2.4 p.c.b.	3.4	4

Termination : Tin alloy.

R2



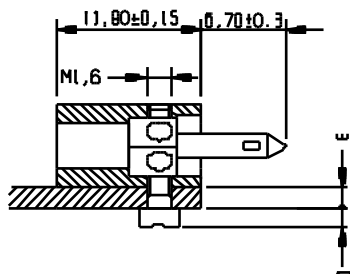
R2 : SMT flexible circuit connection

Termination : Tin alloy.

OPTIONS

Stiffening bar	Standard termination
Without	Code A

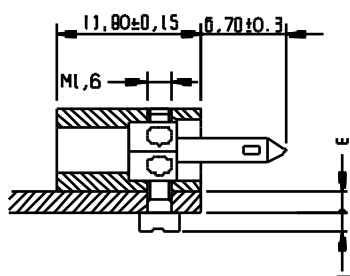
GUIDE STYLES



E : p.c.b. thickness 1.6 and 2.4
E : p.c.b. thickness 2.4 and 3.2

A
K

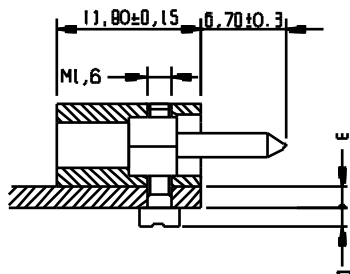
For moulds with 2 or 3 guides.
For style V and R.
Tightening torque : 0.07 to 0.09 Nm.
All guides with 6 positions of coding.
Mates with guide styles B, C, H, J, U.



E : p.c.b. thickness 1.6 and 2.4
E : p.c.b. thickness 2.4 and 3.2

F
AB

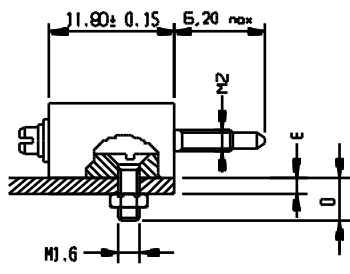
For moulds with 3 guides only.
For style V and R.
Tightening torque : 0.07 to 0.09 Nm.
Centre guide without coding.
Mates with guide styles B, C, H, J, U.



E : p.c.b. thickness 1.6 and 2.4
E : p.c.b. thickness 2.4 and 3.2

L
AC

For moulds with 2 or 3 guides.
For extender card only.
Tightening torque : 0.07 to 0.09 Nm.
All guides without coding.
Mates with guide styles B, C, H, J, U.



E : p.c.b. thickness 1.6 and 2.4
D : 5

P

For moulds with 2 or 3 guides.
For style V and R.
Tightening torque mounting nut : 0.17 to 0.20 Nm.
Guide 0.07 to 0.09 Nm.
Jacking guide without coding.
Centre guide without coding as with guide style L.
Mates with guide style Q.

Other options : see Additional 97.

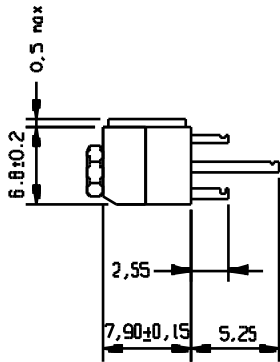
When used with a high vibration level, a fixative (Loctite or similar) is recommended to keep the screw tight.

SERIES HE 809

SOLDER, P.C. (STRAIGHT) & WIRE WRAPPING FEMALE

TERMINATION STYLES L.F.

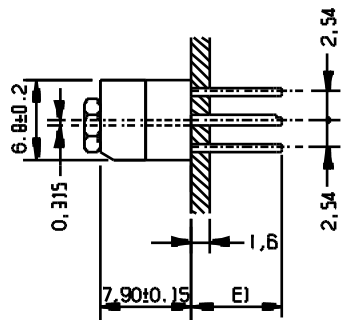
STANDARD GUIDE STYLES



C1

Termination : Tin alloy.

C1 : Solder wire \varnothing 0.6 max. (24 AWG).



Y0

Termination : Tin alloy.

E1

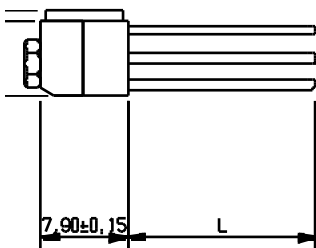
	min.	max.
Y1 : for use with 1.6 p.c.b.	2.6	3.2
Y2 : for use with 2.4 p.c.b.	3.4	4
Y3 : for use with 3.2 p.c.b.	4.2	4.8
Y4 : for use with 4,5 p.c.b.	5.7	6.15
Y6 : for use with 8,5 p.c.b. Drilling diameter on p.c.b. 0.9 mm	9.7	10.15

SECTION



K

Termination : Gold



Tin alloy : A minimum quantity is necessary for this finishing ; please consult us

Wire wrapping terminations

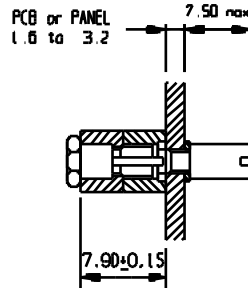
K2 : 2 wraps L = 10.65

K3 : 3 wraps L = 14.60

OPTIONS

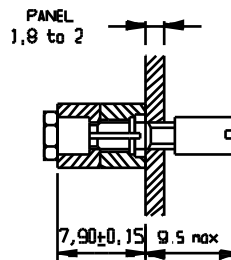
Stiffening bar	Standard termination	Rear sealing
WITHOUT	Code A	Not available
WITH	Code B	

NOTE : The stiffening bar is standard with C and K styles for 80 ways and above.



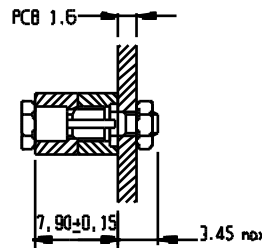
B

For moulds with 2 or 3 guides. Female with 6 positions of coding for termination styles C1, Y1, Y2, Y3 (K2, K3).
Tightening torque : 0.20 to 0.25 Nm.
Mates with guide styles A, K, F, AB, L, AC, G.
(See guide S - page 12).



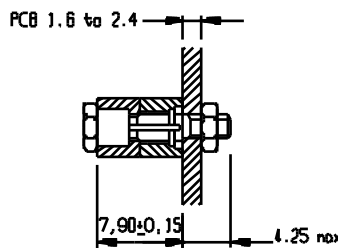
C

For moulds with 2 or 3 guides. Floating female with 6 positions of coding for termination styles C1, K2, K3.
Tightening torque : 0.07 to 0.09 Nm.
Mates with guide styles A, K, F, AB, L, AC, G.



H

For moulds with 2 or 3 guides. Female with 6 positions of coding for termination style Y1.
Tightening torque : 0.20 to 0.25 Nm.
Mates with guide styles A, K, F, AB, L, AC, G.



J

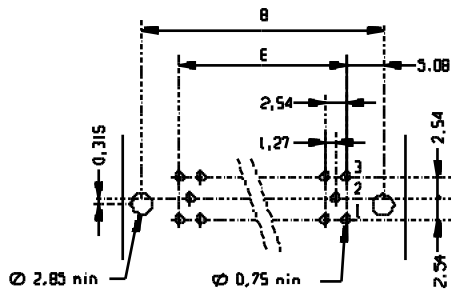
For moulds with 2 or 3 guides. Female with 6 positions of coding for termination styles Y1, Y2.
Tightening torque : 0.20 to 0.25 Nm.
Mates with guide styles A, K, F, AB, L, AC, G.
P.c.b. thickness 3.2.
(See guide S - page 12).

Other guide styles, see page 12 and Additional 97

For modification to the polarising - see page 34.

When used with a high vibration level, a fixative (Loctite or similar) is recommended to keep the screw tight.

MOUNTING DETAILS STRAIGHT P.C. FEMALE

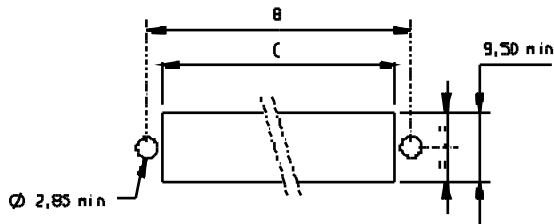


From 26 to 98 ways

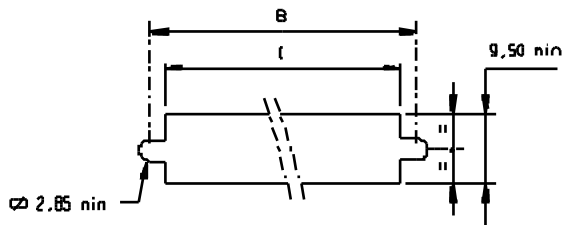
2 GUIDES

Dimensions for contact style Y•

Panel cut-out for termination styles C and K with guide styles B or C.



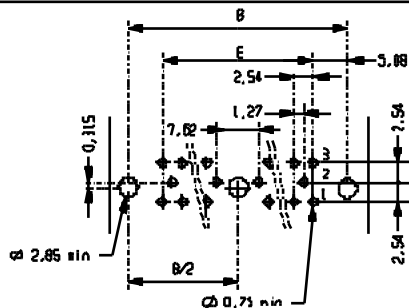
Contacts	026	044	062	080	098
E	20.32	35.56	50.8	66.04	81.28
B ± 0,2	30.48	45.72	60.96	76.2	91.44
C min.	25.9	41.1	56.4	71.6	86.9



Alternative for float mounting.

NOTE :

The marking shown is for a "SOCKET" connector. For a "PLUG" connector, the numbers 1, 2, 3 are located at the opposite end.



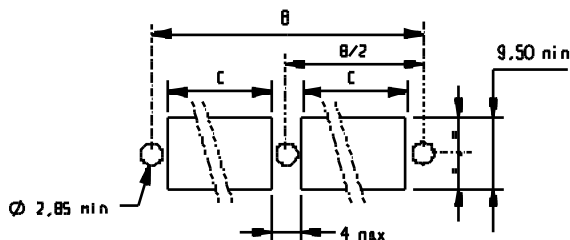
From 108 to 198 ways

3 GUIDES

Dimensions for contact style Y•

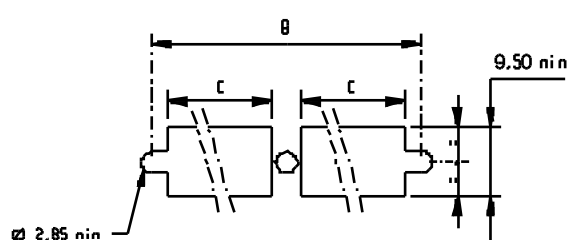
Note : With guide style T.

- Drilling $\varnothing 3 \pm 0.01$ instead of 2.85.
- \varnothing max. of the 2 holes p.c.b. pads located of the both sides of the central guide 1.4 max.



Panel cut-out for termination styles C and K , with guide styles B or C.

Contacts	108	126	144	162	180	198
E	96.52	111.76	127	142.24	157.48	172.72
B ± 0,2	106.68	121.92	137.16	152.4	167.64	182.88
C min.	48.35	55.95	63.6	71.2	78.80	86.45



Alternative for float mounting.

NOTE :

The marking shown is for a "SOCKET" connector. For a "PLUG" connector, the numbers 1, 2, 3 are located at the opposite end.

SERIES HE 809

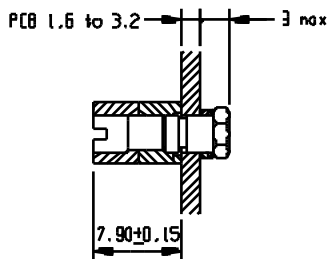
STRAIGHT P.C. FEMALE

OTHER GUIDE OPTIONS

"STANDARD GUIDE STYLES"

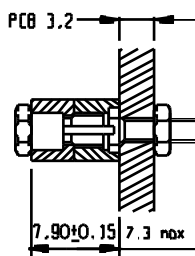
"FAST CODING"

Q



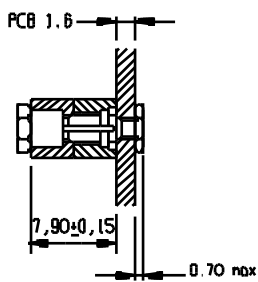
For moulds with 2 or 3 guides. Female jacking fixed unpolarised for termination styles : C1, Y1, Y2, Y3, K2, K3. Centre guide : standard style B. Tightening torque : 0.20 to 0.25 Nm. Mates with jacking guide style P.

S



For moulds with 2 or 3 guides. Female with 6 positions of coding for termination styles : C1, Y1, Y2, Y3, K2, K3. Tightening torque : 0.20 to 0.25 Nm. Mates with guide styles A, K, F, AB, L, AC, G. Similar to style B but with a hexagonal rear nut. When used with K style terminations tighten the nut carefully to avoid contact damage.

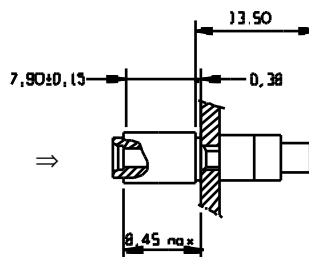
T



For moulds with 2 or 3 guides. Female with 6 positions of coding for termination style : Y1. Tightening torque : 0.20 to 0.25 Nm. Mates with guide styles A, K, F, AB, L, AC, G.

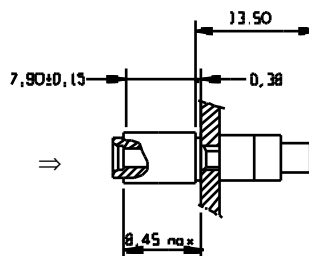
For a 1.6 p.c.b. the guide provides a low profile fixing by the use of a shouldered nut. Note : p.c. drilling $\varnothing 3 \pm 0.1$. The pad \varnothing should be chosen appropriately.

W

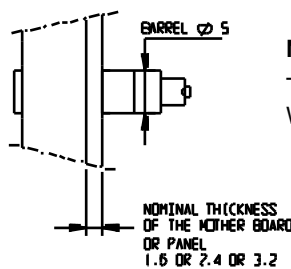


For moulds with 2 or 3 guides. Female fast coding with 6 positions for termination styles : C1, Y1, Y2, Y3, K2, K3. Tightening torque : 0.20 to 0.25 Nm. Mates with guide styles A, K, F, AB, L, AC, G. See NOTE 1 and 2.

X



For moulds with 2 or 3 guides. Female fast coding with 6 positions for termination styles : C1, Y1, Y2, Y3, K2, K3. Centre guide style B (see page 10). Tightening torque : 0.20 to 0.25 Nm. Mates with guide styles AK, F, AB, L, AC, G. See NOTE 1 and 2.



NOTE 1 :

Top view for guide styles W and X.

Other options : see Additional 97

When used with a high vibration level, a fixative (Loctite or similar) is recommended to keep the screw tight.

NOTE 2 : FOR GUIDE STYLES W AND X

For extender card applications : deduct 0.40 from the termination length.

The "click stop" mechanism permits polarisation changing without guide removal.

Coding changing :

Use the 280 S 02 tool. The coding position is shown by the groove in the tool handle (see page 34).

These guides are assembled to the connector at the factory and cannot be removed. Spare guides are not available separately.

* Please consult factory.

**STRAIGHT P.C. MALE SOCKET
STRAIGHT P.C. MALE PLUG**

HE 809 EM 144	A	Y1	G	3	0.8
HE 809 FM 144	A	Y1	G	3	0.8

Number of contacts (sizes)
026-044-062-080-098-108-126-144-162-180-198

Options : Without stiffening bar

Termination styles

Y1, Y2, Y4

Guide styles

G

Termination finish Tin alloy

3

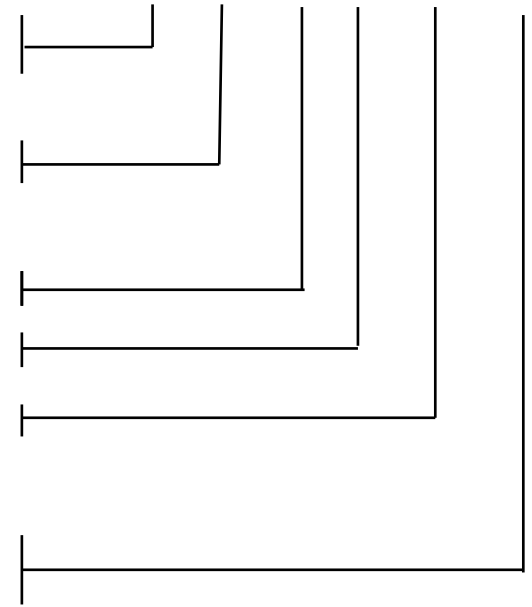
Contact area finish :

Standard 0.8 micron min. gold thickness (previously B)

0.8

Others * 1.27 micron min. gold thickness (previously C)

1.2



**RIGHT ANGLE FEMALE PLUG AND SMT
RIGHT ANGLE FEMALE SOCKET AND SMT**

HE 809 FF 098	A	V1	U	3	0.8
HE 809 EF 098	A	V1	U	3	0.8

Number of contacts (sizes)
026-044-062-080-098-108-126-144-162-180-198

Options : Without stiffening bar

Termination styles

V1, V2, V3, R2

Guide styles

U, Y, Z

Termination finish Tin alloy

3

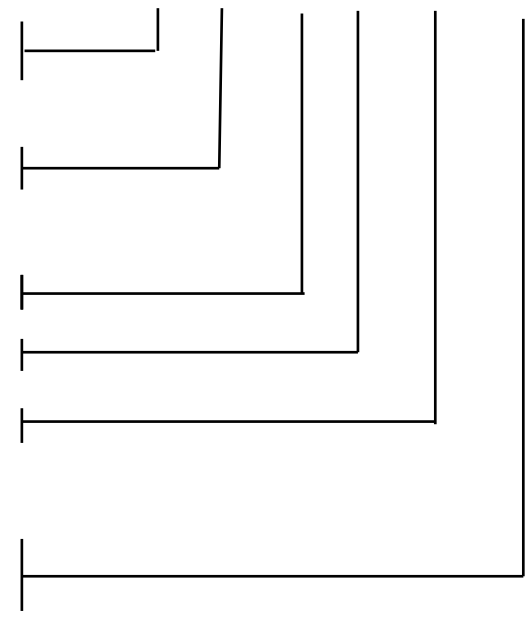
Contact area finish :

Standard 0.8 micron min. gold thickness (previously B)

0.8

Others * 1.27 micron min. gold thickness (previously C)

1.2



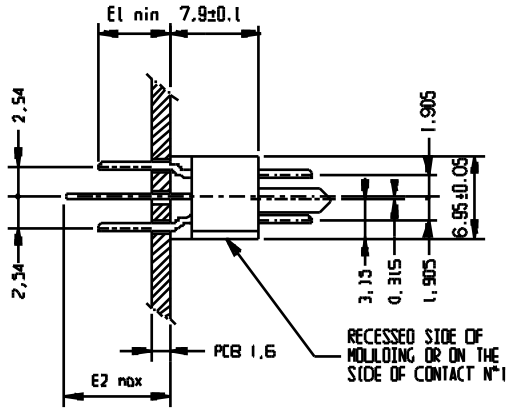
* Other finishes can be supplied but a minimum contact quantity is required : Please consult factory.

SERIES HE 809

STRAIGHT P.C. MALE

TERMINATION STYLES L.F.

Y•



	E1 min.	E2 max.
Y1 : for use with 1.6 p.c.b.	2.9	3.5
Y2 : for use with 2.4 p.c.b.	3.4	4
Y3 : *		
Y4 : for use with 4.4 p.c.b.	5.4	6

Termination : Tin alloy

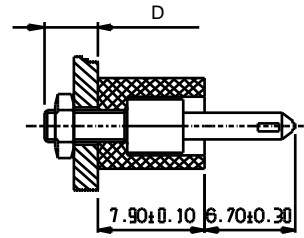
OPTIONS

Stiffening	Standard termination	Rear sealing
without	A	Not available

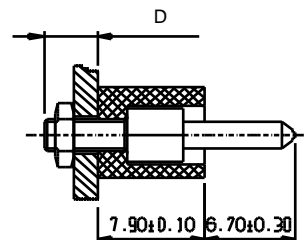
* NOT AVAILABLE : CONSULT US.

When used with a high vibration level, a fixative (Loctite or similar) is recommended to keep the screw tight.

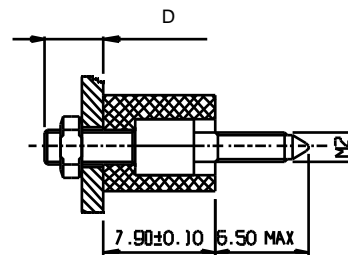
STANDARD GUIDE STYLES



6 positions of coding



Without coding



Thread guide

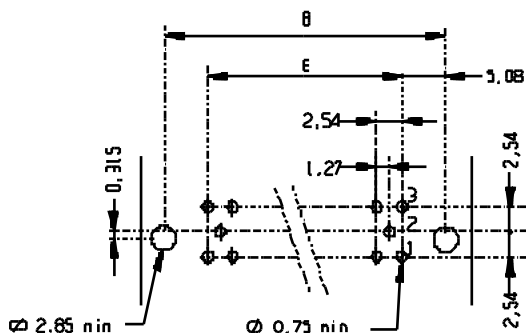
P.c.b. thickness (mm)		1,6	2,4	3,2	4,4
Termination styles		Y1	Y2	()	Y4
G	All guides	G	G	AE	BQ
	with 6 positions of coding	D=5	D=5	D=6,6	D=7,8
U	6 positions of coding	DA	DA	CC	CD
	Centre : without coding	D=5	D=5	D=7,1	D=7,8
E	All guides	BL	BL	BL	BZ
	Without coding	D=5,5	D=5,5	D=5,5	D=7,8
O	All thread	AG	AG	AG	BX
	TO BE AVOIDED	D=6,6	D=6,6	D=6,6	D=7,8
T	Thread guides	AH	AH	AH	BY
	Centre : 6 positions of coding	D=6,6	D=6,6	D=6,6	D=7,8
I	Thread guides	AJ	AJ	AJ	CE
	Centre : Without coding	D=6,6	D=6,6	D=6,6	D=7,8

Tightening torque : 0,20 à 0,25 Nm

SERIES HE 809

MOUNTING DETAILS STRAIGHT P.C. MALE

From 26 to 98 ways
2 GUIDES



Dimensions for contact style Y.

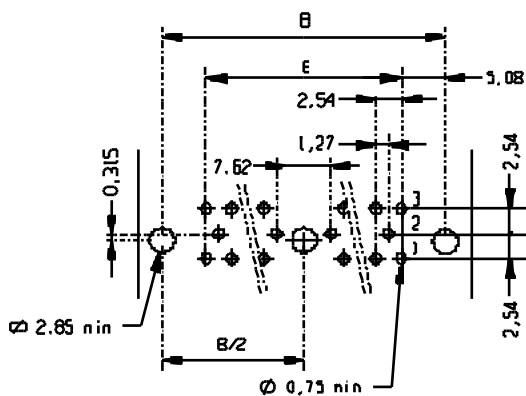
Sizes	026	044	062	080	098
E	20.32	35.56	50.8	66.04	81.28
B ± 0,2	30.48	45.72	60.96	76.2	91.44

NOTE :

The marking shown is for a "SOCKET" connector.

For a "PLUG" connector the numbers 1, 2, 3 are located at the opposite end.

From 108 to 198 ways
3 GUIDES



Dimensions for contact style Y.

Sizes	108	126	144	162	180	198
E	96.52	111.76	127	142.24	157.48	172.72
B ± 0,2	106.68	121.92	137.16	152.4	167.64	182.88

NOTE :

The marking shown is for a "SOCKET" connector.

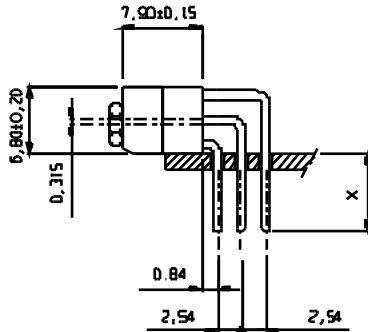
For a "PLUG" connector the numbers 1, 2, 3 are located at the opposite end.

SERIES HE 809

RIGHT ANGLE FEMALE AND SMT

TERMINATION STYLES L.F.

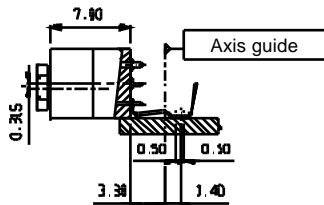
V•



	X	
	min.	max.
V1 : for use with 1.6 p.c.b.	2.6	3.2
V2 : for use with 2.4 p.c.b.	3.4	4.0
V3 : for use with 3.2 p.c.b.	4.2	4.8

Termination : Tin alloy.

R2



R2 : SMT flexible circuit connection

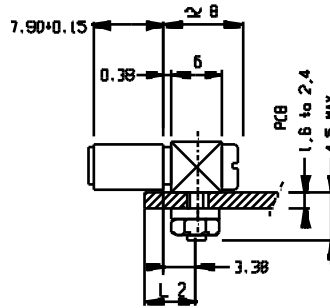
Termination : Tin alloy

OPTIONS

Stiffening bar	Standard termination	Rear sealing
Without	Code A	Not available

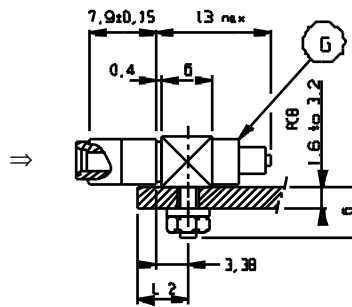
STANDARD GUIDE STYLES

U



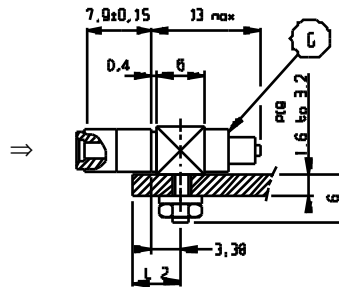
For moulds with 2 or 3 guides.
Female with 6 positions of coding for termination styles : V1, V2, V3.
Centre guide AD.
Tightening torque : 0.20 to 0.25 Nm.
Mates with guide styles A, K, F, AB, L, AC, G.
See NOTE 1.

Y



For moulds with 2 or 3 guides.
Female fast coding with 6 positions for termination styles : V1, V2, V3.
Centre guide AV.
Tightening torque : 0.20 to 0.25 Nm.
Mates with guide styles A, K, F, AB, L, AC, G.
See NOTE 1 and 2.

Z



For moulds with 2 or 3 guides.
Female fast coding with 6 positions for termination styles : V1, V2, V3.
Centre guide : AD.
Tightening torque : 0.20 to 0.25 Nm.
Mates with guide styles A, K, F, AB, L, AC, G.
See NOTE 1 and 2.

NOTE 1 : Top view for guide styles U, Y, Z.

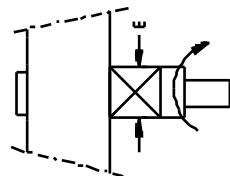
Tightening torque : 0.20 to 0.25 Nm.

End guides : Hexagonal nut G is 5 A/F.

Dim E = 6.

Centre guide : Barrel nut G = Ø 5.

Dim E = 5.



Other variants : see Additionnal 97

When used with a high vibration level, a fixative (Loctite or similar) is recommended to keep the screw tight.

NOTE 2 : FOR GUIDE STYLES Y AND Z

For extender card applications : deduct 0.40 from the termination length.

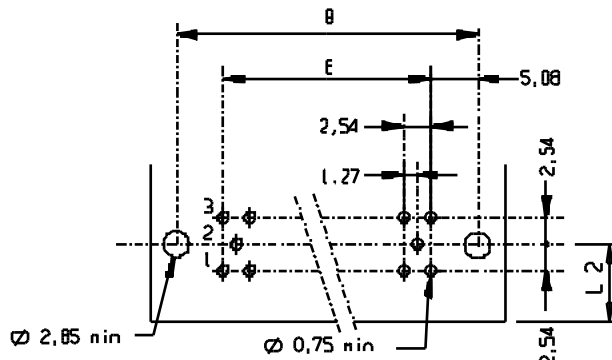
The "click stop" mechanism permits polarisation changing without guide removal.

Coding changing :

Use the 280 S 02 tool. The coding position is shown by the groove in the tool handle (see page 34).

These guides are assembled to the connector at the factory and cannot be removed. Spare guides are not available separately.

MOUNTING DETAILS RIGHT ANGLE FEMALE AND SMT



From 26 to 98 ways

2 GUIDES

Dimensions for contact style V.

NOTE :

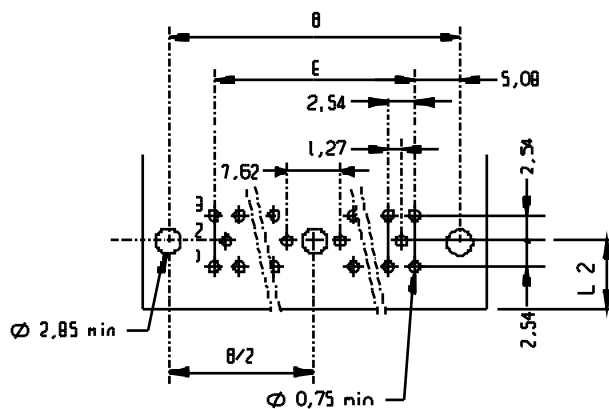
The marking shown is for a "PLUG" connector.

For a "SOCKET" connector the numbers 1, 2, 3 are located at the opposite end.

The p.c.b. should overlap the connector body.
 For extender cards the overlap of the 2 p.c.b.'s must be compatible.
 Overlap recommended with connector style L2, see page 43.

SIZES	026	044	062	080	098
E	20.32	35.56	50.8	66.04	81.28
B ± 02	30.48	45.72	60.96	76.2	91.44

NOTA : Use aligner tool before inserting contacts through p.c.b.



From 108 to 198 ways

2 GUIDES

Dimensions for contact style V.

NOTE :

The marking shown is for a "PLUG" connector.

For a "SOCKET" connector the numbers 1, 2, 3 are located at the opposite end.

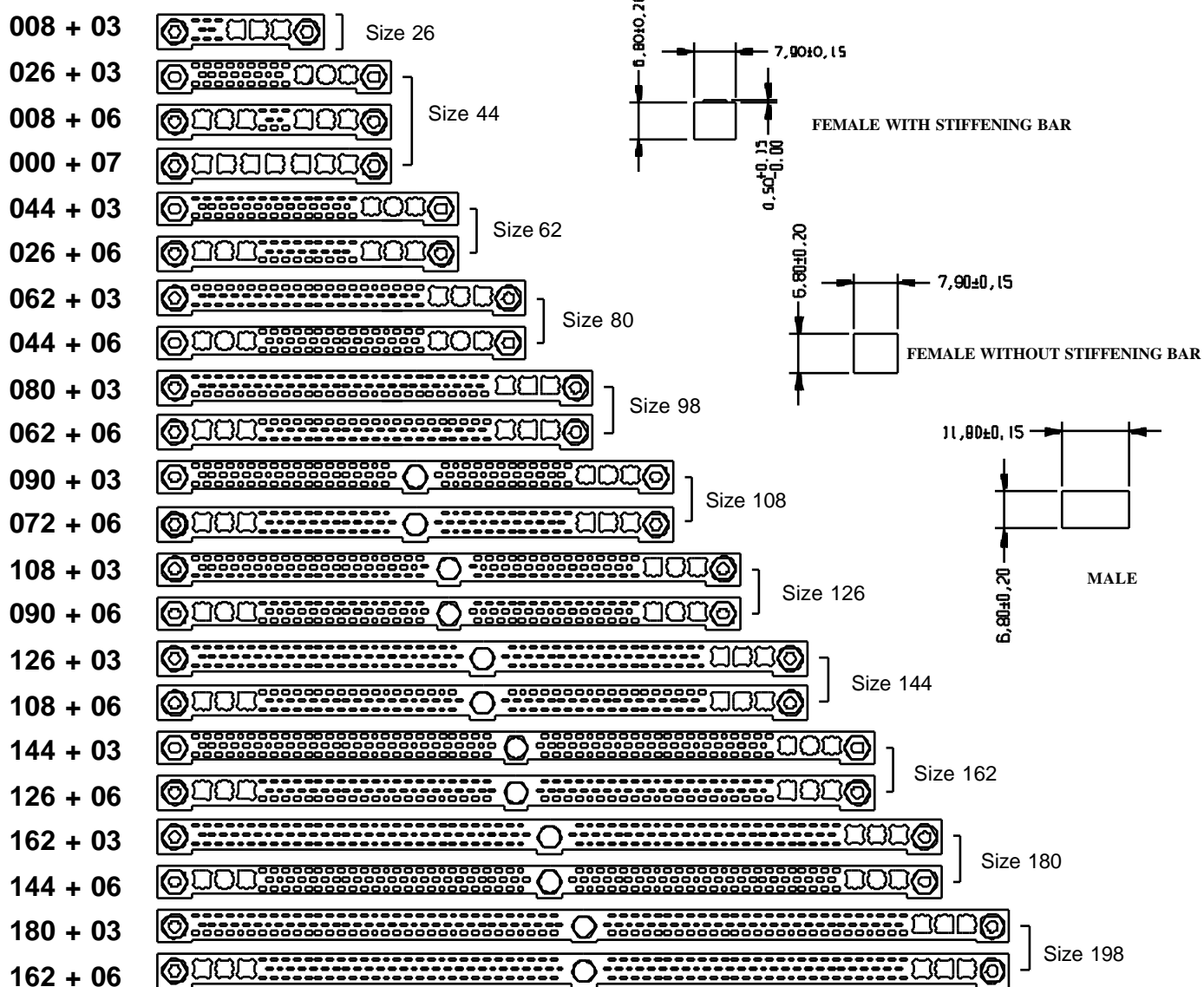
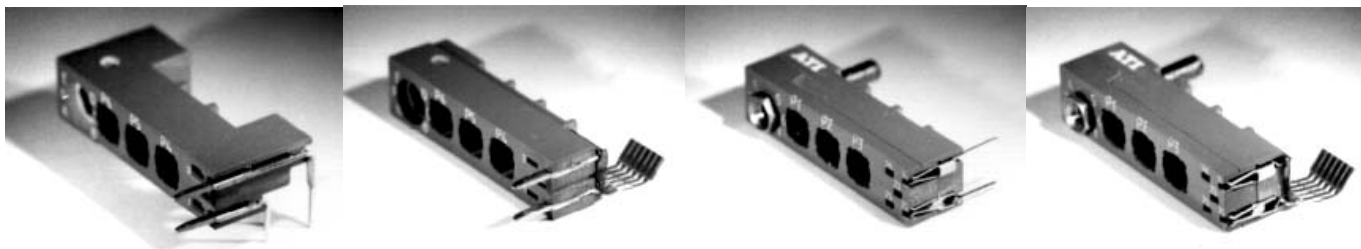
The p.c.b. should overlap the connector body.
 For extender cards the overlap of the 2 p.c.b.'s must be compatible.
 Overlap recommended with connector style L2, see page 43.

SIZES	108	126	144	162	180	198
E	96.52	111.76	127	142.24	157.48	172.72
B ± 02	106.68	121.92	137.16	152.4	167.64	182.88

NOTA : Use aligner tool before inserting contacts through p.c.b.

P.c.b. layout for R2 termination, see Additional 97

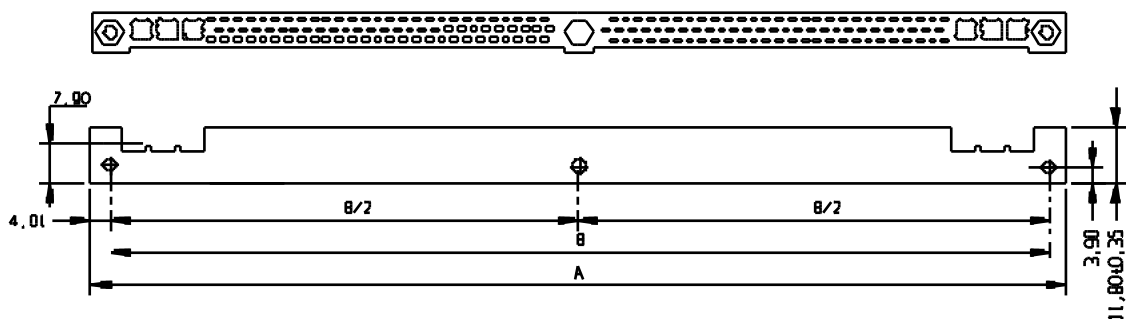
SERIES HE 810 MOULD SIZES



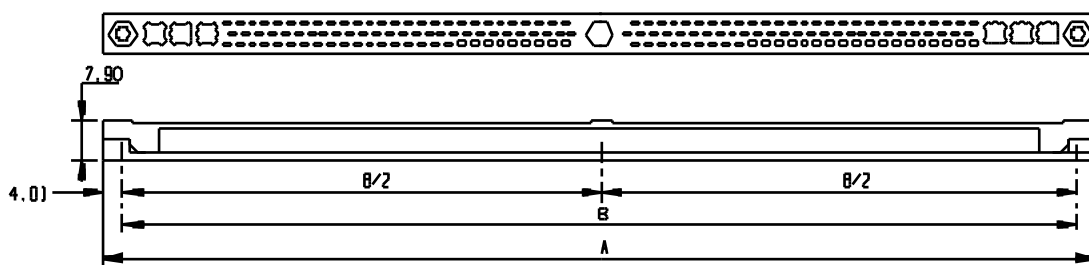
SERIES HE 810

DIMENSIONS

MALE WITH L.F. CONTACTS STYLE V

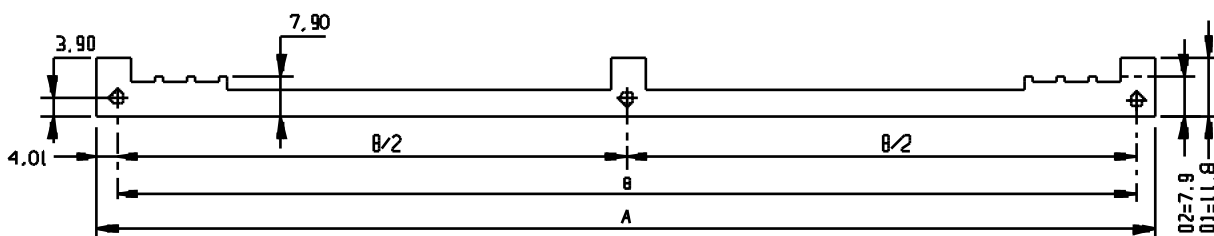


FEMALE



MALE WITH L.F. CONTACTS STYLE R2 (SMT) : D1 = 11.8

MALE WITH L.F. CONTACTS STYLE Y1 : D2 = 7.9

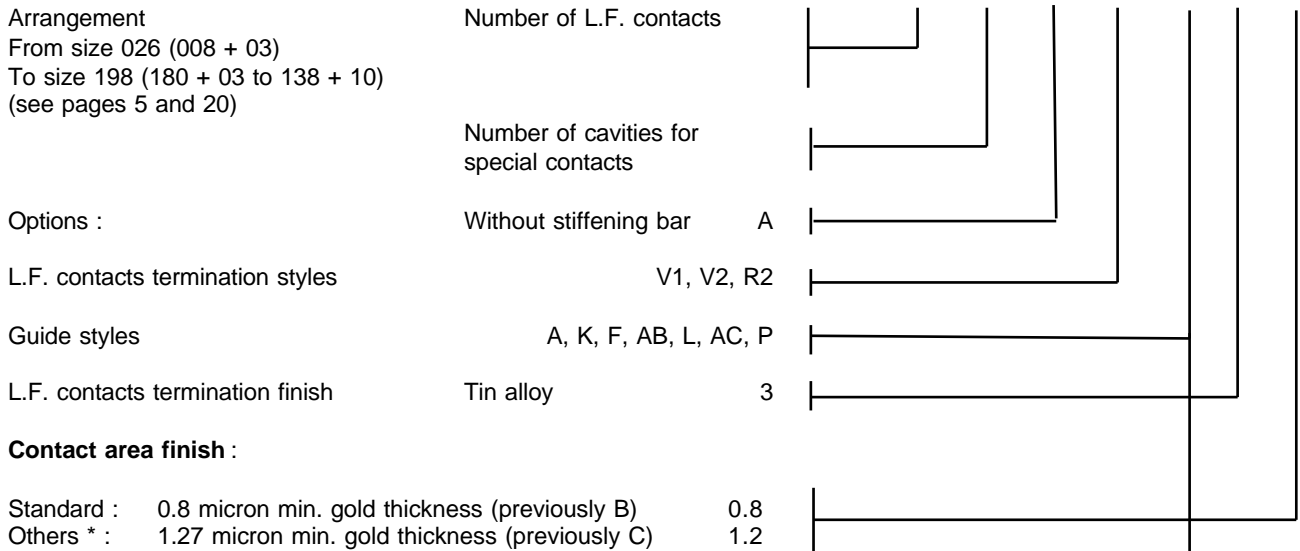


NOTE : The mould size relates to the 809 L.F. connector of the same length.

MOULD SIZE	026	044	062	080	098	108	126	144	162	180	198
Arrangement	008+03	026+03 008+06 0 + 07	044+03 026+06	062+03 044+06	080+03 062+06	090+03 072+06	108+03 090+06	126+03 108+06 084+10	144+03 126+06 102+10	162+03 144+06 120+10	180+03 162+06 138+10
A - 0 - 0,4	38.5	53.7	69	84.2	99.5	114.7	129.9	145.2	160.4	175.7	190.9
B ± 0,2	30.48	45.72	60.96	76.20	91.44	106.68	121.92	137.16	152.4	167.64	182.88

RIGHT ANGLE AND SMT MALE PLUG HE 810 FM 108 ⁰³₀₆₁₀ A V1 A 3 0.8

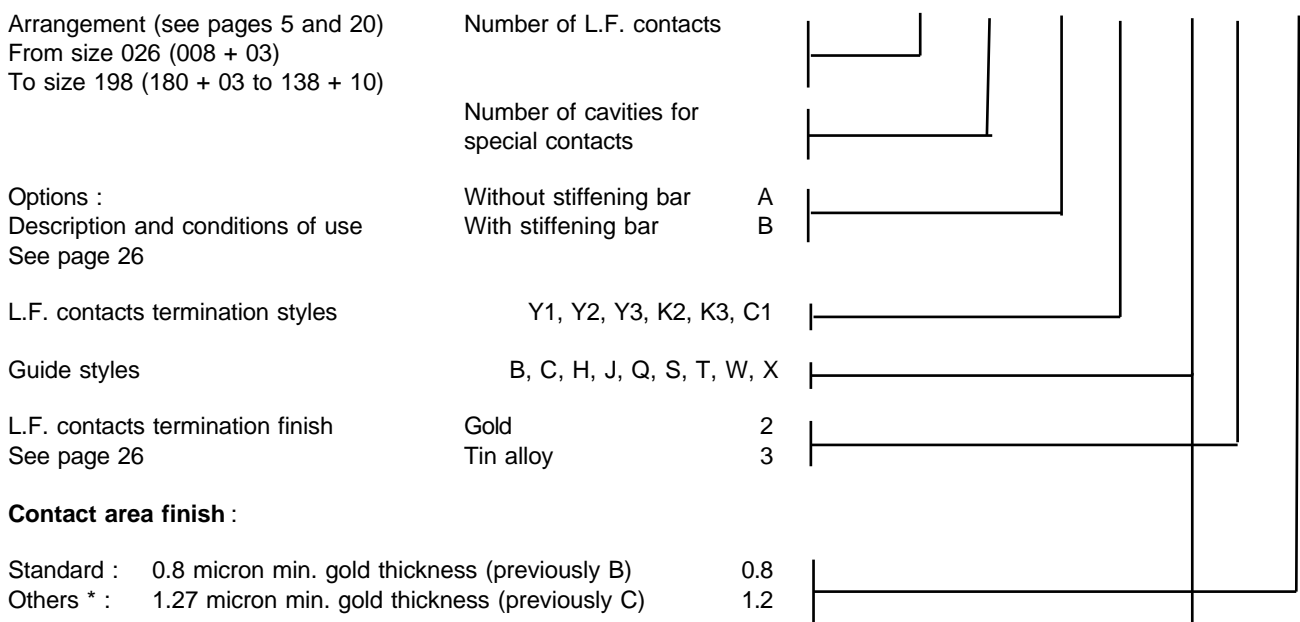
RIGHT ANGLE AND SMT MALE SOCKET HE 810 EM 108 ⁰⁶₁₀ A V1 A 3 0.8



NOTE : PART NUMBER SIMPLIFIED FOR "0 + 7" HE 810 FM 0 07 A
(the letter "M" means the sex of the guide, not the sex of contact)

STRAIGHT P.C. FEMALE SOCKET HE 810 EF 144 ⁰³₀₆₁₀ A Y3 B 3 0.8

STRAIGHT P.C. FEMALE PLUG HE 810 FF 144 ⁰⁶₁₀ A Y3 B 3 0.8



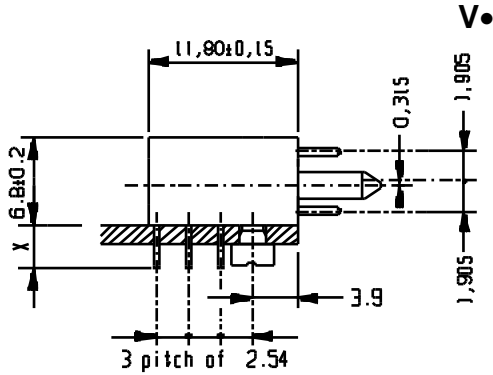
NOTE : PART NUMBER SIMPLIFIED FOR "0 + 7" HE 810 EF 0 07 B
(the letter "F" means the sex of the guide, not the sex of contact).

* Other finishes can be supplied but a minimum contact quantity is required : please consult factory.

SERIES HE 810

RIGHT ANGLE AND SMT MALE

TERMINATIONS STYLES L.F.

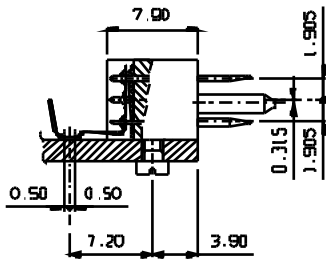


V0

	X	
	min.	max.
V1 : for use with 1.6 p.c.b.	2.6	3.2
V2 : for use with 2.4 p.c.b.	3.4	4

Termination : Tin alloy.

R2



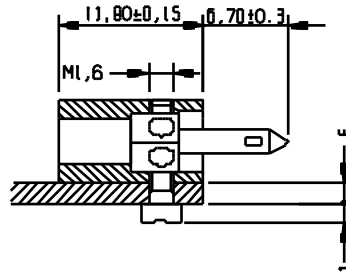
R2 : SMT flexible circuit connection

Termination : Tin alloy.

OPTIONS

Stiffening bar	Standard termination
Without	Code A

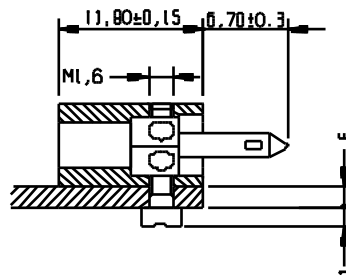
GUIDE STYLES



E : p.c.b. thickness 1.6 and 2.4
E : p.c.b. thickness 2.4 and 3.2

A
K

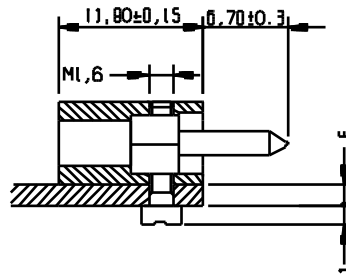
For moulds with 2 or 3 guides.
For style V and R.
Tightening torque : 0.07 to 0.09 Nm.
All guides with 6 positions of coding.
Mates with guide styles B, C, H, J, U.



E : p.c.b. thickness 1.6 and 2.4
E : p.c.b. thickness 2.4 and 3.2

F
AB

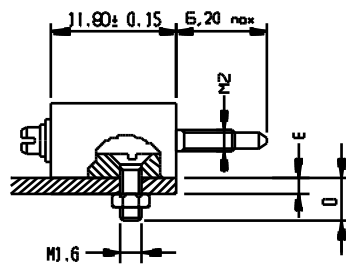
For moulds with 3 guides only.
For style V and R.
Tightening torque : 0.07 to 0,09 Nm.
Centre guide without coding.
Mates with guide styles B, C, H, J, U.



E : p.c.b. thickness 1.6 and 2.4
E : p.c.b. thickness 2.4 and 3.2

L
AC

For moulds with 2 or 3 guides.
For extender card only.
Tightening torque : 0.07 to 0.09 Nm.
All guides without coding.
Mates with guide styles B, C, H, J, U.



E : p.c.b. thickness 1.6 and 2.4
D : 5

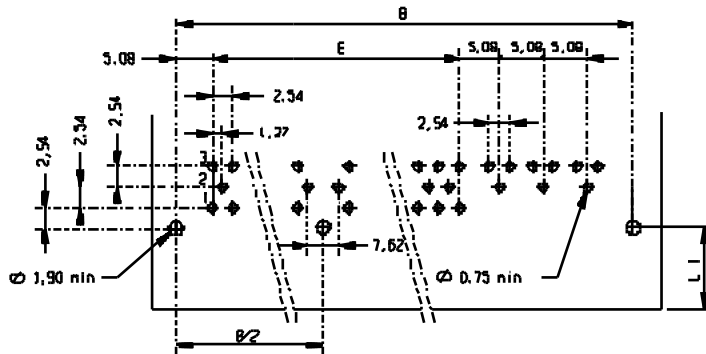
P

For moulds with 2 or 3 guides.
For style V and R.
Tightening torque mounting nut : 0.17 to 0.20 Nm.
Guide 0.07 to 0.09 Nm.
Jacking guide without coding.
Centre guide without coding as with guide style L.
Mates with guide style Q.

Other options : see Additional 97

When used with a high vibration level, a fixative (Loctite or similar) is recommended to keep the screw tight.

MOUNTING DETAILS RIGHT ANGLE MALE AND SMT



MIXED LAYOUT WITH 3 COAXIAL

Dimensions for contact style V.

COAXIAL CONTACT STYLE KMX 3 - M 032

(Power contact - see page 42).

NOTE :
MARKING "PLUG" ONLY
(see page 5).

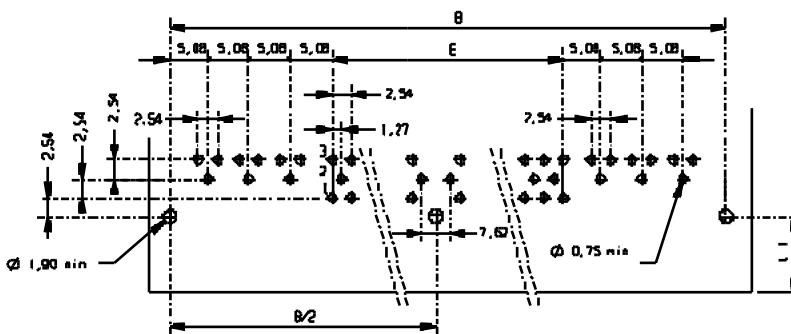
L1 :

Min. : 3

Max. : - When used with a straight p.c. female : 11.50 (see page 4).

- When used with a right angle female or an extender card : 9.50 (see page 43).

Arrangement	008+03	026+03	044+03	062+03	080+03	090+03	108+03	126+03	144+03	162+03	180+03
B	30.48	45.72	60.96	76.20	91.44	106.68	121.92	137.16	152.40	167.64	182.88
E	5.08	20.32	35.56	50.80	66.04	81.28	96.52	111.76	127	142.24	157.48



MIXED LAYOUT WITH 6 COAXIAL

Dimensions for contact style V.

COAXIAL CONTACT STYLE KMX 3 - M 032

(Power contact - see page 42).

NOTE :
The marking shown is for a "PLUG" connector.
For a "SOCKET" connector the numbers 1, 2, 3 are located at the opposite end ; see page 5.

L1 :

Min. : 3

Max. : - When used with a straight p.c. female : 11.50 (see page 4).

- When used with a right angle female or an extender card : 9.50 (see page 43).

Arrangement	008+06	026+06	044+06	062+06	072+06	090+06	108+06	126+06	144+06	162+06
B	45.72	60.96	76.2	91.44	106.68	121.92	137.16	152.40	167.64	182.88
E	5.08	20.32	35.56	50.80	66.04	81.28	96.52	111.76	127	142.24

P.c.b. layout for R2 termination, see Additionaln 97

NOTES

SERIES HE 810

MOUNTING DETAILS SMT MALE

MIXED LAYOUT WITH 3
COAXIAL

See Additionnal 97

COAXIAL CONTACT STYLE
KMX 3 - M 172

MIXED LAYOUT WITH 6
COAXIAL

See Additionnal 97

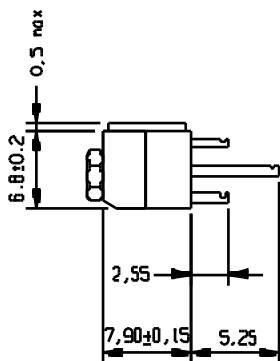
COAXIAL CONTACT STYLE
KMX 3 - M 172

SERIES HE 810

SOLDER, P.C. (STRAIGHT) & WIRE WRAPPING FEMALE

TERMINATION STYLES L.F.

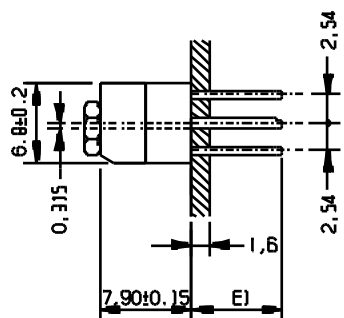
STANDARD GUIDE STYLES



C1

Termination : Tin alloy.

C1 : Solder wire \varnothing 0.6 max. (24 AWG).



Y0

Termination : Tin alloy.

E1

	min.	max.
Y1 : for use with 1.6 p.c.b.	2.6	3.2
Y2 : for use with 2.4 p.c.b.	3.4	4
Y3 : for use with 3.2 p.c.b.	4.2	4.8
Y4 : for use with 4,5 p.c.b.	5.7	6.15
Y6 : for use with 8.5 p.c.b. Drilling diameter on p.c.b. 0.9 mm	9.7	10.15

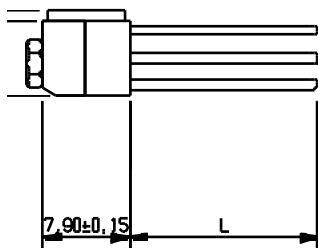
SECTION



K0

Termination : Gold

Tin alloy : A minimum quantity is necessary for this finishing ; please consult us



Wire wrapping terminations

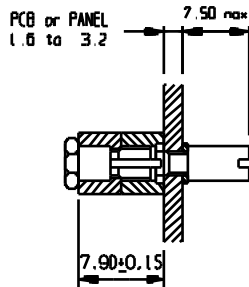
K2 : 2 wraps L = 10.65

K3 : 3 wraps L = 14.60

OPTIONS

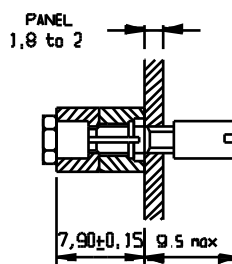
Stiffening bar	Standard termination	Rear sealing
WITHOUT	Code A	Not available
WITH	Code B	

NOTE : The stiffening bar is standard with C and K styles for 80 ways and above.



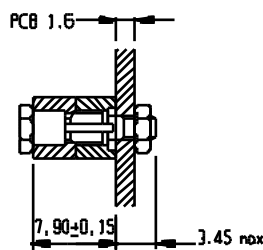
B

For moulds with 2 or 3 guides. Female with 6 positions of coding for termination styles C1, Y1, Y2, Y3 (K2, K3).
Tightening torque : 0.20 to 0.25 Nm.
Mates with guide styles A, K, F, AB, L, AC, G.
(See guide S - page 12).



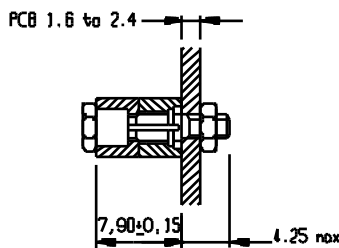
C

For moulds with 2 or 3 guides. Floating female with 6 positions of coding for termination styles C1, K2, K3.
Tightening torque : 0.07 to 0.09 Nm.
Mates with guide styles A, K, F, AB, L, AC, G.



H

For moulds with 2 or 3 guides. Female with 6 positions of coding for termination style Y1.
Tightening torque : 0.20 to 0.25 Nm.
Mates with guide styles A, K, F, AB, L, AC, G.



J

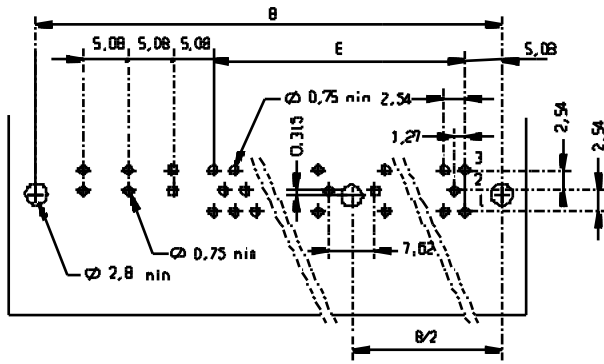
For moulds with 2 or 3 guides. Female with 6 positions of coding for termination styles Y1, Y2.
Tightening torque : 0.20 to 0.25 Nm.
Mates with guide styles A, K, F, AB, L, AC, G.
P.c.b. thickness 3.2.
(See guide S - page 12).

Other guide styles, see page 12 and Additional 97

For modification to the polarising - see page 34.

When used with a high vibration level, a fixative (Loctite or similar) is recommended to keep the screw tight.

MOUNTING DETAILS STRAIGHT P.C. FEMALE



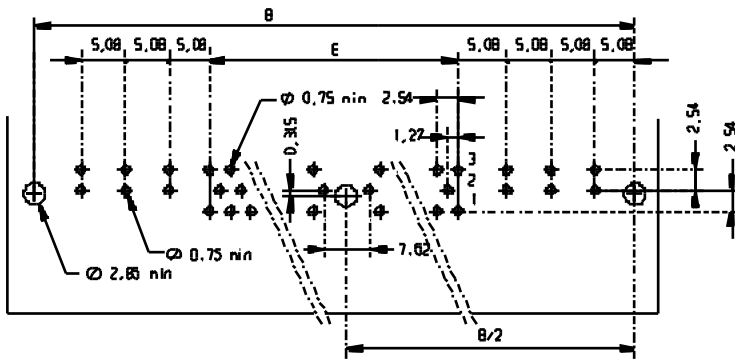
MIXED LAYOUT WITH 3 COAXIAL

Dimensions for contact style V.

COAXIAL CONTACT STYLE
KMX 3 - F 041
(Power insert see page 42).

NOTE :
MARKING "SOCKET" ONLY
(See page 5)

Arrangement	008+03	026+03	044+03	062+03	080+03	090+03	108+03	126+03	144+03	162+03	180+03
B	30.48	45.72	60.96	76.20	91.44	106.68	121.92	137.16	152.40	167.64	182.88
E	5.08	20.32	35.56	50.80	66.04	81.28	96.52	111.76	127	142.24	157.48



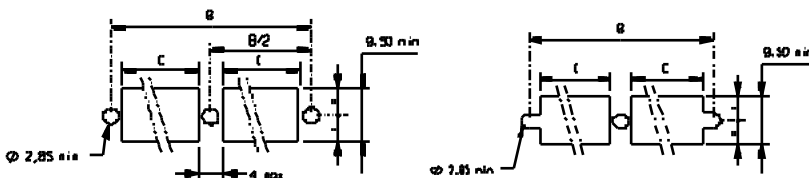
MIXED LAYOUT WITH 6 COAXIAL

Dimensions for contact style V.

COAXIAL CONTACT STYLE
KMX 3 - F 041
(Power insert - see page 42).

NOTE :
The marking shown is for a "SOCKET" connector.
For a "PLUG" connector the numbers 1, 2, 3 are located at the opposite end ; see page 5.

Arrangement	008+06	026+06	044+06	062+06	072+06	090+06	108+06	126+06	144+06	162+06
B	45.72	60.96	76.2	91.44	106.68	121.92	137.16	152.40	167.64	182.88
E	5.08	20.32	35.56	50.80	66.04	81.28	96.52	111.76	127	142.24



Panel cut-out for termination styles C and K

COAXIAL CONTACT STYLE
KMX 3 - F 041

(Power insert - see page 42).

Alternative for float mounting.

Arrangement	008+03	026+03 008+06	044+03 026+06	062+03 044+06	080+03 062+06	090+03 072+06	108+03 090+06	126+03 108+06	144+03 126+06	162+03 144+06	180+03 162+06
B	30.48	45.72	60.96	76.20	91.44	106.68	121.92	137.16	152.40	167.64	182.88
C mini	25.90	41.1	56.40	71.60	86.90	48.35	55.95	63.60	71.20	78.85	86.45

SERIES HE 810

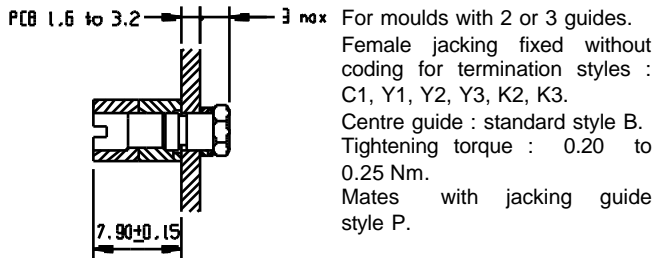
STRAIGHT P.C. FEMALE

OTHER GUIDE VARIANTS

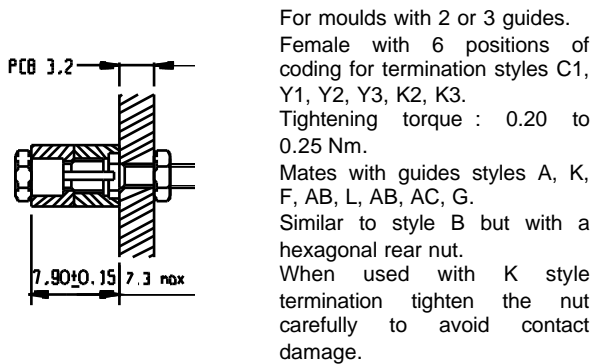
"STANDARD GUIDE STYLES"

"FAST CODING"

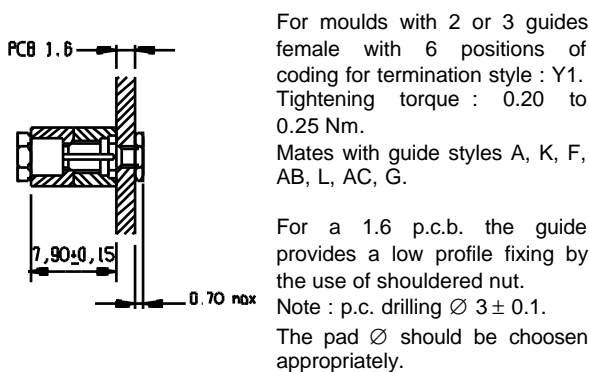
Q



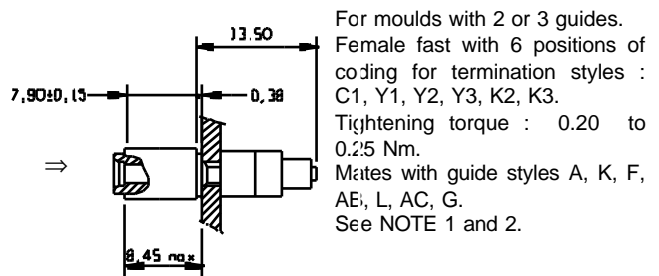
S



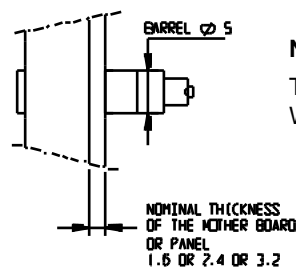
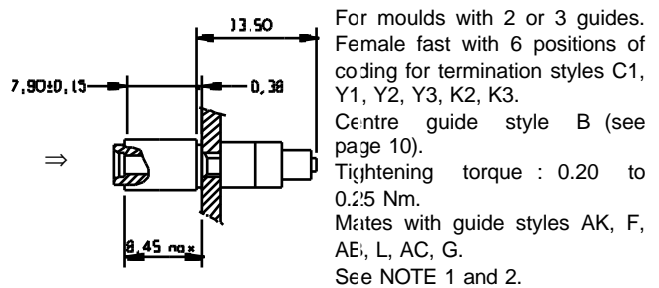
T*



W



X



NOTE 1 :

Top view for guide styles W and X.

Other options : see Additional 97

When used with a high vibration level, a fixative (Loctite or similar) is recommended to keep the screw tight.

NOTE 2 : FOR GUIDE STYLES W AND X

For extender card applications : deduct 0.40 from the termination length.

The "click stop" mechanism permits polarisation changing without guide removal.

Coding changing :

Use the 280 S 02 tool. The coding position is shown by the groove in the tool handle (see page 34).

These guides are assembled to the connector at the factory and cannot be removed. Spare guides are not available separately.

* Please consult factory.

SERIES HE 810 PART NUMBER SYSTEM

STRAIGHT P.C. MALE SOCKET

03
HE 810 FM 108 06 **A Y1 G 3 0.8**
10

STRAIGHT P.C. MALE PLUG

HE 810 EM 108 06 **A Y1 G 3 0.8**
10

Arrangement :
 From size 026 (008 + 03)
 To size 198 (180 + 03 à 138 + 10)
 (See pages 5 and 20)

Number of L.F. contacts

Number of cavities for special contacts

Options :

Without stiffening bar

A

L.F. contacts termination styles

Y1, Y2, Y4

Guide styles

G

L.F. contacts termination finish

Tin alloy

3

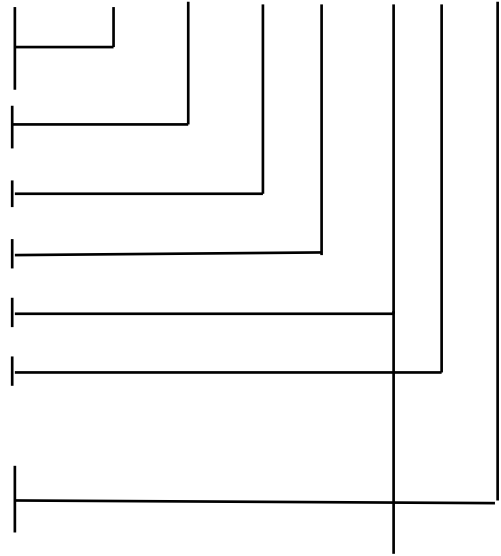
Contact area finish :

Standard : 0.8 micron min. gold thickness (previously B)

0.8

Others * : 1.27 micron min. gold thickness (previously C)

1.2



NOTE : PART NUMBER SIMPLIFIED FOR "0 + 7 " **HE 810 FM 0 07 G**
 (the letter "M" means the sex of the guide, not the sex of contact)

STRAIGHT P.C. FEMALE SOCKET AND SMT

06
HE 810 EF 144 06 **A V1 U 3 0.8**
10

STRAIGHT P.C. FEMALE PLUG AND SMT

HE 810 FF 144 06 **A V1 U 3 0.8**
10

Arrangement :
 From size 026 (008 + 03)
 To size 198 (180 + 03 à 138 + 10)
 (See pages 5 and 20)

Number of L.F. contacts

Number of cavities for special contacts

Options

Without stiffening bar

A

L.F. contacts termination styles

V1, V2, V3, R2

Guide styles

U, Y, Z

L.F. contacts termination finish

Tin alloy

3

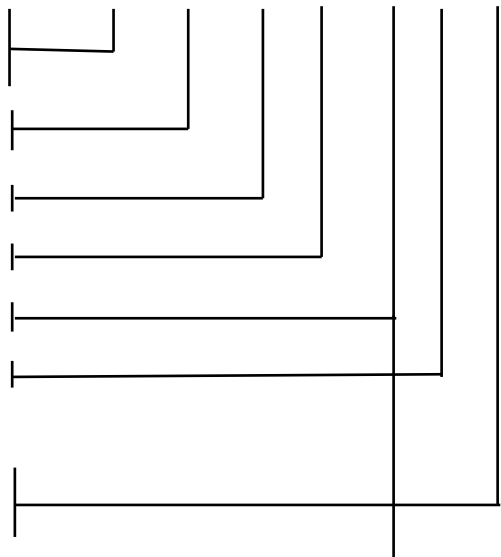
Contact area finish :

Standard : 0.8 micron min. gold thickness (previously B)

0.8

Others * : 1.27 micron min. gold thickness (previously C)

1.2



NOTE : PART NUMBER SIMPLIFIED FOR "0 + 7 " **HE 810 EF 0 07 U**
 (the letter "F" means the sex of the guide, not the sex of contact)

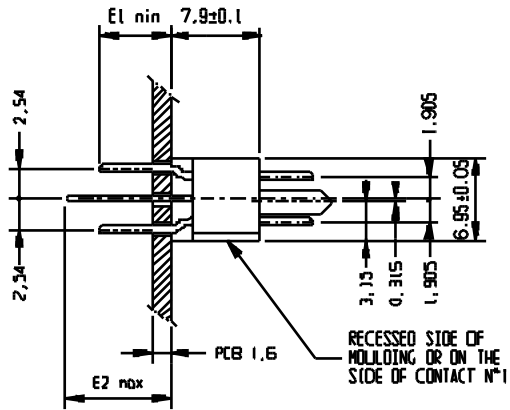
* Other finishes can be supplied but a minimum contact quantity is required : please consult factory.

SERIES HE 810

STRAIGHT P.C. MALE

TERMINATION STYLES L.F.

Y•



	E1 min.	E2 max.
Y1 : for use with 1,6 p.c.b.	2,9	3,5
Y2 : for use with 2,4 p.c.b.	3,4	4
Y3 : *		
Y4 : for use with 4,4 p.c.b.	5,4	6

Termination : Tin alloy

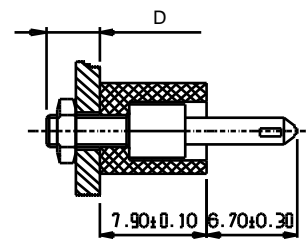
OPTIONS

Stiffening	Standard termination	Rear sealing
without	A	Not available

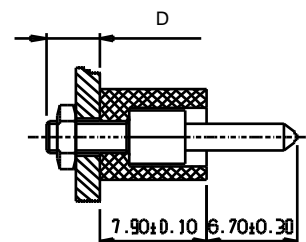
* NOT AVAILABLE : CONSULT US.

When used with a high vibration level, a fixative (Loctite or similar) is recommended to keep the screw tight.

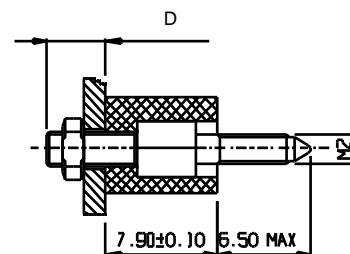
STANDARD GUIDE STYLES



6 positions of coding



Without coding



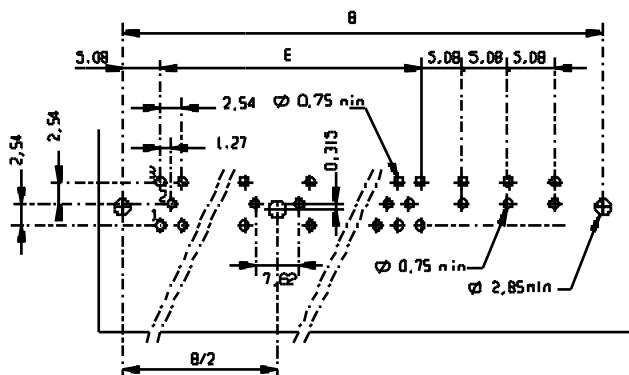
Thread guide

P.c.b. thickness (mm)		1,6	2,4	3,2	4,4
Termination styles		Y1	Y2	()	Y4
G	All guides	G	G	AE	BQ
	with 6 positions of coding	D=5	D=5	D=6,6	D=7,8
U	6 positions of coding	DA	DA	CC	CD
	Centre : without coding	D=5	D=5	D=7,1	D=7,8
E	All guides	BL	BL	BL	BZ
	Without coding	D=5,5	D=5,5	D=5,5	D=7,8
O	All thread	AG	AG	AG	BX
	TO BE AVOIDED	D=6,6	D=6,6	D=6,6	D=7,8
T	Thread guides	AH	AH	AH	BY
	Centre : 6 positions of coding	D=6,6	D=6,6	D=6,6	D=7,8
S	Thread guides	AJ	AJ	AJ	CE
	Centre : Without coding	D=6,6	D=6,6	D=6,6	D=7,8

Tightening torque : 0,20 à 0,25 Nm

SERIES HE 810

MOUNTING DETAILS STRAIGHT P.C. MALE



MIXED LAYOUT WITH 3 COAXIAL

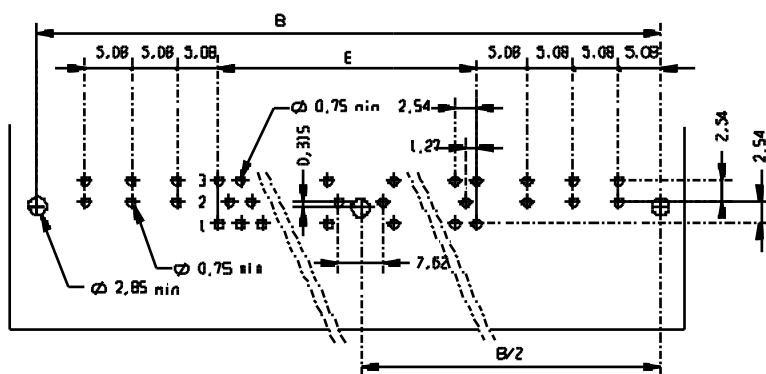
Dimensions for contact style Y

COAXIAL CONTACT STYLE
KMX3 - M 041

(Power insert - see page 42)

NOTE :
MARKING "PLUG" ONLY (see page 5)

Arrangement	008+03	026+03	044+03	062+03	080+03	090+03	108+03	126+03	144+03	162+03	180+03
B	30,48	45,72	60,96	76,20	91,44	106,68	121,92	137,16	152,40	167,64	182,88
E	5,08	20,32	35,56	50,80	66,04	81,28	96,52	111,76	127	142,24	157,48



MIXED LAYOUT WITH 6 COAXIAL

Dimensions for contact style Y

COAXIAL CONTACT STYLE
KMX3 - M041

(Power insert - see page 42)

NOTE :
The marking shown is for a "PLUG" connector.
For a "SOCKET" connector the numbers 1, 2, 3 are located at the opposite end.

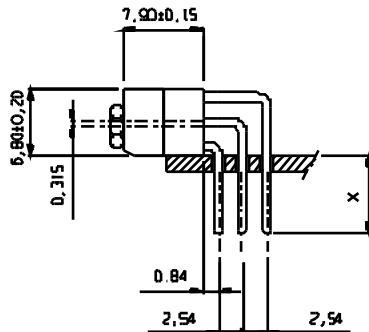
Arrangement	008+06	026+06	044+06	062+06	072+06	090+06	108+06	126+06	144+06	162+06
B	45,72	60,96	76,2	91,44	106,68	121,92	137,16	152,40	167,64	182,88
E	5,08	20,32	35,56	50,80	66,04	81,28	96,52	111,76	127	142,24

SERIES HE 810

RIGHT ANGLE FEMALE AND SMT

TERMINATION STYLES L.F.

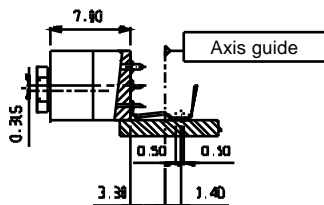
V•



	X	
	min.	max.
V1 : for use with 1.6 p.c.b.	2.6	3.2
V2 : for use with 2.4 p.c.b.	3.4	4.0
V3 : for use with 3.2 p.c.b.	4.2	4.8

Termination : Tin alloy.

R2



R2 : SMT flexible circuit connection

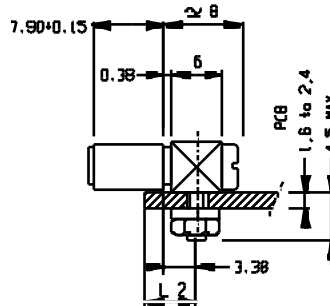
Termination : Tin alloy

OPTIONS

Stiffening bar	Standard termination	Rear sealing
Without	Code A	Not available

STANDARD GUIDE STYLES

U



For moulds with 2 or 3 guides.
Female with 6 positions of coding for termination styles : V1, V2, V3.

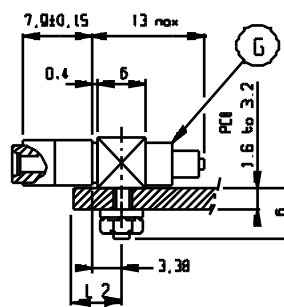
Centre guide AD.

Tightening torque : 0.20 to 0.25 Nm.

Mates with guide styles A, K, F, AB, L, AC, G.

See NOTE 1.

Y



For moulds with 2 or 3 guides.

Female fast coding with 6 positions for termination styles : V1, V2, V3.

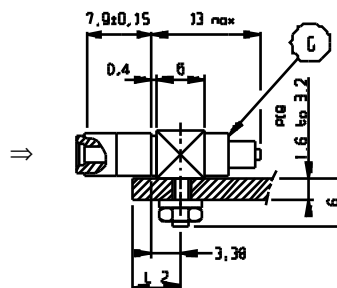
Centre guide AV.

Tightening torque : 0.20 to 0.25 Nm.

Mates with guide styles A, K, F, AB, L, AC, G.

See NOTE 1 and 2.

Z



For moulds with 2 or 3 guides.

Female fast coding with 6 positions for termination styles : V1, V2, V3.

Centre guide : AD.

Tightening torque : 0.20 to 0.25 Nm.

Mates with guide styles A, K, F, AB, L, AC, G.

See NOTE 1 and 2.

NOTE 1 : Top view for guide styles U, Y, Z.

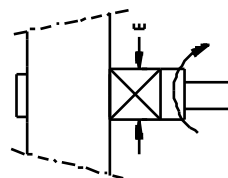
Tightening torque : 0.20 to 0.25 Nm.

End guides : Hexagonal nut G is 5 A/F.

Dim E = 6.

Centre guide : Barrel nut G = Ø 5.

Dim E = 5.



Other options : see Additional 97

When used with a high vibration level, a fixative (Loctite or similar) is recommended to keep the screw tight.

NOTE 2 : FOR GUIDE STYLES Y AND Z

For extender card applications : deduct 0.40 from the termination length.

The "click stop" mechanism permits polarisation changing without guide removal.

Coding changing :

Use the 280 S 02 tool. The coding position is shown by the groove in the tool handle (see page 34).

These guides are assembled to the connector at the factory and cannot be removed. Spare guides are not available separately.

MOUNTING DETAILS RIGHT ANGLE FEMALE AND SMT

MIXED LAYOUT WITH 3 COAXIAL

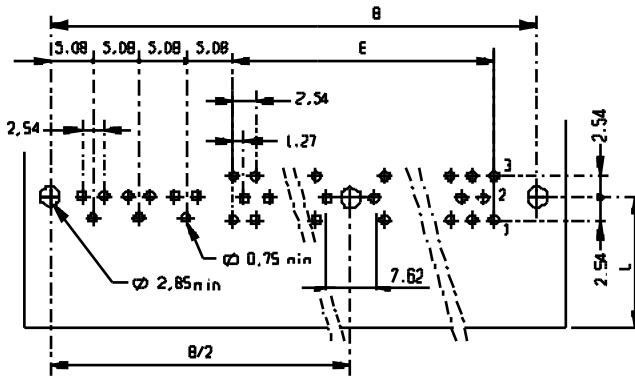
Dimensions for contact style V

COAXIAL INSERT STYLE KMX3 - F 032 (Power contact - see page 42)

The connector body should overlap the p.c.b.
For extender cards the overlap of the 2 p.c.b.'s must be compatible.

Overlap recommended with the connector style L2, see page 43.

NOTE :
MARKING "SOCKET" ONLY (see page 5).



Arrangement	008+03	026+03	044+03	062+03	080+03	090+03	108+03	126+03	144+03	162+03	180+03
B	30,48	45,72	60,96	76,2	91,44	106,68	121,92	137,16	152,4	167,64	182,88
E	5,08	20,32	35,56	50,8	66,04	81,28	96,52	111,76	127	142,24	157,48

MIXED LAYOUT WITH 6 COAXIAL

Dimensions for contact style V

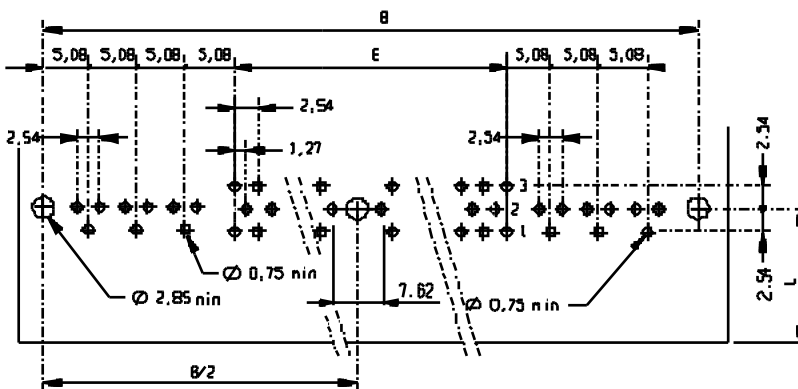
COAXIAL INSERT STYLE KMX3 - F 032 (Power contact - see page 42)

The p.c.b. should overlap the connector body.
For extender cards the overlap of the 2 p.c.b.'s must be compatible.

Overlap recommended with the connector style L2, see page 43.

NOTE :
The marking shown is for a "SOCKET" connector.

For a "PLUG" connector the numbers 1, 2, 3 are located at the opposite end.



Arrangement	008+06	026+06	044+06	062+06	072+06	090+06	108+06	126+06	144+06	162+06
B	45,72	60,96	76,2	91,44	106,68	121,92	137,16	152,4	167,64	182,88
E	5,08	20,32	35,56	50,8	66,04	81,28	96,52	111,76	127	142,24

P.c.b. layout for R2 SMT termination (CMS), see Additional 97

SERIES HE 810

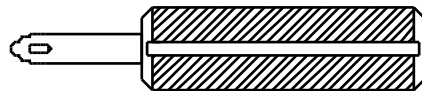
OPERATING INSTRUCTIONS FOR CODING ADJUSTMENT

MALE CONNECTORS

- Remove the guide fixing screw (except guide G).
- (Guide G) remove the rear nut.
- Remove the guide from its cavity and replace in the correct position.
- Replace the screw and the nut and tighten to the recommended torque.

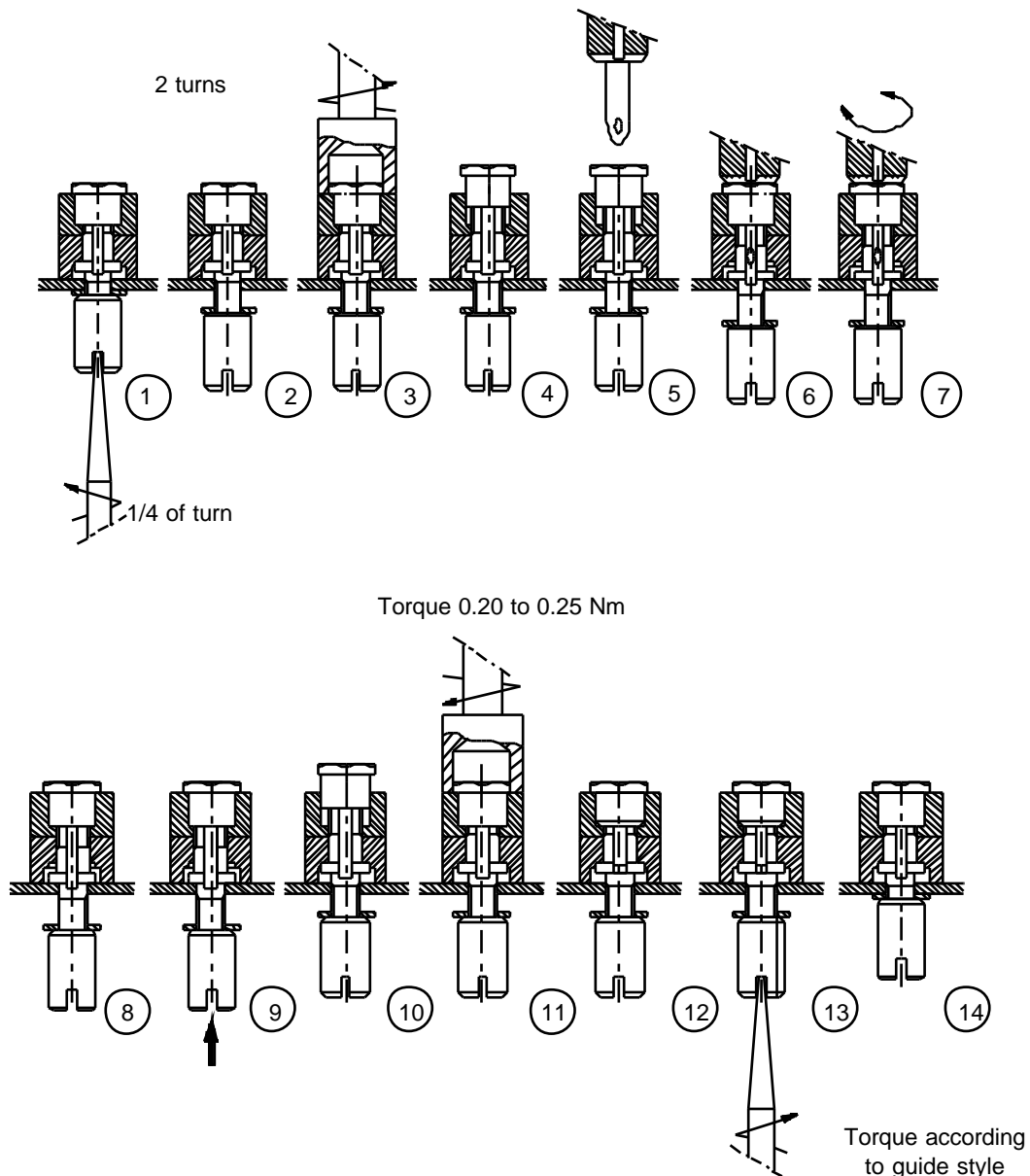
FEMALE CONNECTORS

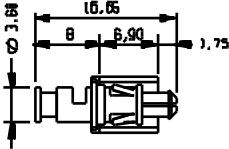
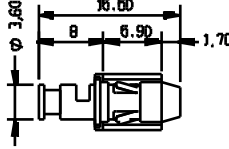
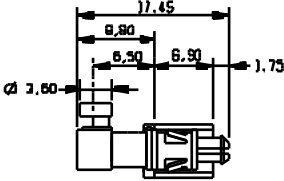
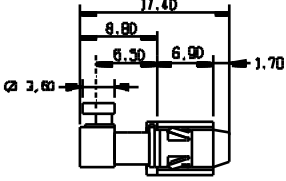
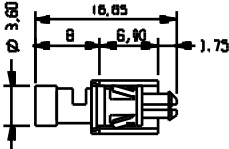
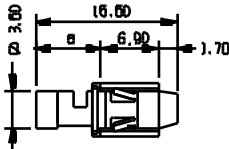
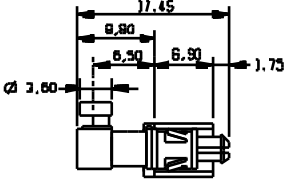
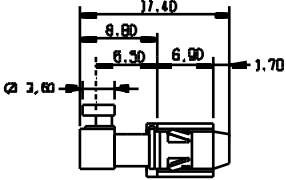
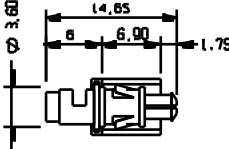
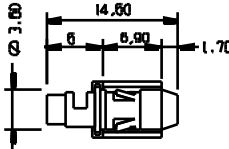
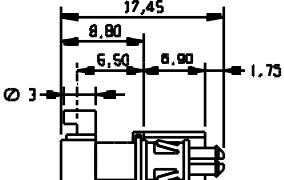
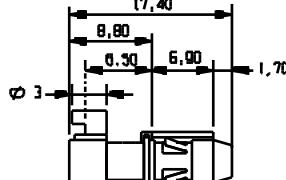
- Use the 280 S 02 tool illustrated below for steps (5) (6) (7)



← groove indicates polarising position

- Proceed sequentially for card guide
- Follow the numbered steps from (1) to (14) (example is for a straight guide).

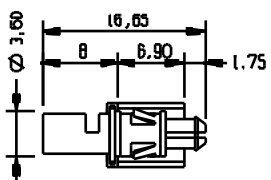
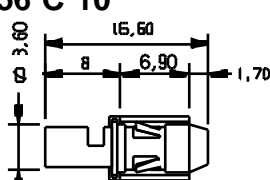
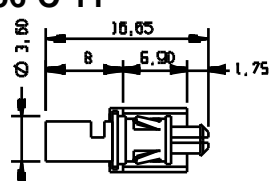
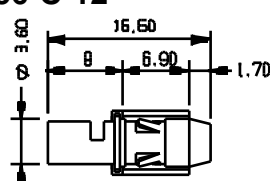
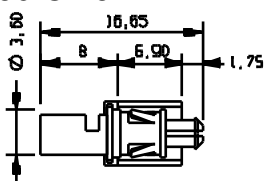
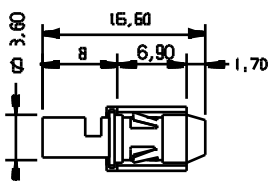
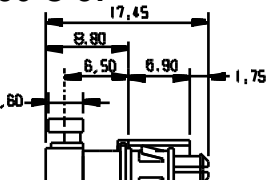
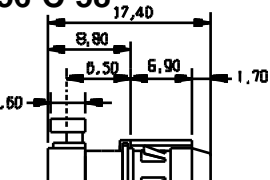
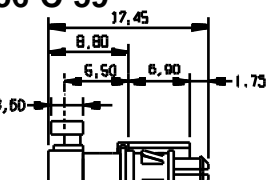
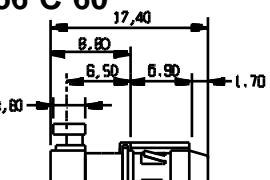
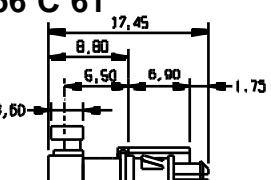
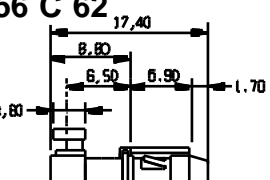
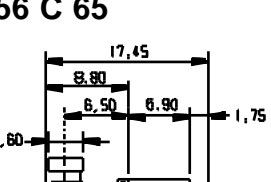
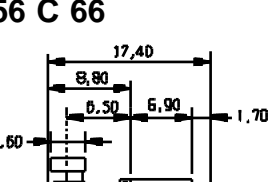


MALE		FEMALE
<p>KMX 3 - M 081</p> 	<p>Male and female contacts for chassis or free connector assembly. Suitable for flexible cable \varnothing 1.9 max. Réf. KX 21 A (RG 178 B/U or RG 196)</p>	<p>KMX 3 - F 081</p> 
<p>KMX 3 - M 092</p> 	<p>Male and female contacts with 90° cable entry for chassis or free connector assembly. Suitable for flexible cable \varnothing 1.9 max. Réf. KX 21 A (RG 178 B/U or RG 196) Usable with mother board, thickness 3.2 mm max.</p>	<p>KMX 3 - F 092</p> 
<p>KMX 3 - M 101</p> 	<p>Male and female contacts for chassis or free connector assembly. Suitable for flexible cable \varnothing 2.5 max. Réf. KX 22 A (RG 316).</p>	<p>KMX 3 - F 101</p> 
<p>KMX 3 - M 112</p> 	<p>Male and female contacts with 90° cable entry for chassis or free connector assembly. Suitable for flexible cable \varnothing 2.5 max. Réf. KX 22 A (RG 316). Usable with mother board thickness 3.2 mm max.</p>	<p>KMX 3 - F 112</p> 
<p>KMX 3 - M 131</p> 	<p>Male and female contacts for chassis or free connector assembly. Suitable for semi-rigid cable \varnothing 2.2 max. Réf. KS 1 (RG 405 - UT 85).</p>	<p>KMX 3 - F 131</p> 
<p>KMX 3 - M 142</p> 	<p>Male and female contacts with 90° cable entry for chassis or free connector assembly. Suitable for semi-rigid cable \varnothing 2.2 max. Réf. KS 1 (RG 405 - UT 85). Usable with mother board thickness 3.2 mm max.</p>	<p>KMX 3 - F 142</p> 

SERIES HE 810

H.F. COAXIAL CONTACTS

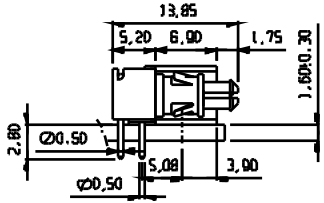
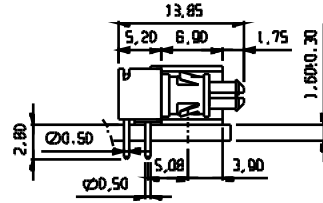
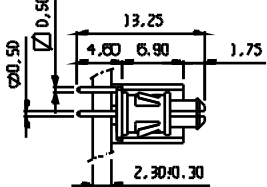
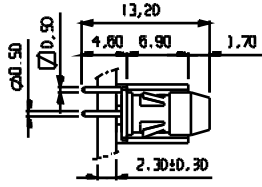
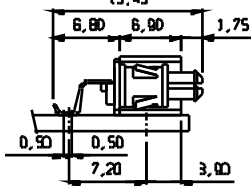
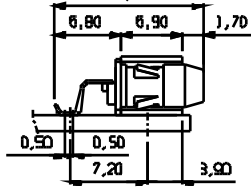
KMX 3 SERIES SPECIFICATION NFC 93569 FOR NON-STANDARD CABLES

MALE		FEMALE
<p>E 756 C 09</p> 	<p>Male and female contacts for chassis or free connector assembly. Suitable for flexible cable \varnothing 2.5 max. Réf. Microdot 250-3908</p>	<p>E 756 C 10</p> 
<p>E 756 C 11</p> 	<p>Male and female contacts for chassis or free connector assembly. Suitable for flexible cable \varnothing 3.5 max. Réf. Microdot 250-3937</p>	<p>E 756 C 12</p> 
<p>E 756 C 15</p> 	<p>Male and female contacts for chassis or free connector assembly. Suitable for flexible extended dielectric cable \varnothing 2.2 max. Réf. Axon P 812817 Réf. Alpen A 22 DT Réf. Gore CSS 1022 K*</p>	<p>E 756 C 16</p> 
<p>E 756 C 57</p> 	<p>Male and female contacts with 90° cable entry for chassis or free connector assembly. Suitable for flexibel cable \varnothing 2.8. Réf. KX 22 A "double screen". Usable with mother board thickness 3.2 mm max.</p>	<p>E 756 C 58</p> 
<p>E 756 C 59</p> 	<p>Male and female contacts with 90° cable entry for chassis or free connector assembly. Suitable for flexible cable \varnothing 2.5. Réf. Microdot 250-3908. Usable with mother board thickness 3.2 mm max.</p>	<p>E 756 C 60</p> 
<p>E 756 C 61</p> 	<p>Male and female contacts with 90° cable entry for chassis or free connector assembly. Suitable for flexible cable \varnothing 3.25. Réf. Microdot 250-3937. Usable with mother board thickness 3.2 mm max.</p>	<p>E 756 C 62</p> 
<p>E 756 C 65</p> 	<p>Male and female contacts with 90° cable entry for free connector assembly. Suitable for flexible extended dielectric cable \varnothing 2.2 max. Réf. Axon P 812817 Réf. Alpen A 22 DT Réf. Gore CSS 1022 K* Usable with mother board thickness 3.2 mm max.</p>	<p>E 756 C 66</p> 

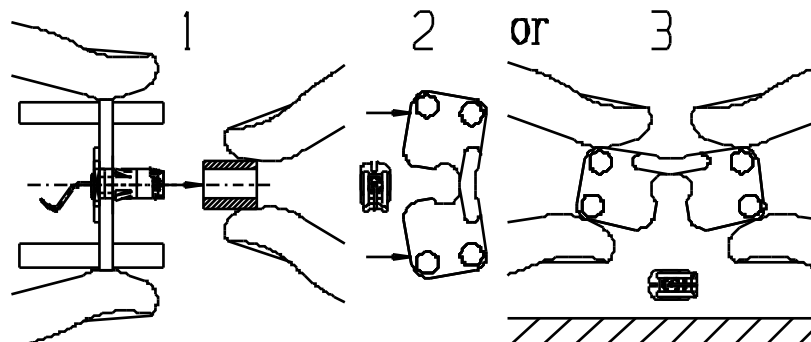
* For automatic stripping.

H.F. COAXIAL CONTACTS

KMX 3 SERIES SPECIFICATION NFC 93569 FOR P.C.B.

MALE		FEMALE
<p>KMX 3 - M 032</p> 	<p>Male and female contacts with tails at 90° for direct mounting on to p.c.b. (Cut one of the two ground tails for mounting on to p.c.b.).</p> <p>P.c.b. thickness 3,70 ± 0,30 ;</p> <p>← E756 C20 E756 C24 →</p>	<p>KMX 3 - F 032</p> 
<p>KMX 3 - M 041</p> 	<p>Male and female contacts with p.c. tails for direct mounting on to p.c.b.</p> <p>P.c.b. thickness 4 ± 0,30 ;</p> <p>← E756 C17 E756 C18 →</p> <p>P.c.b. thickness 5 ± 0,30 ;</p> <p>← E756 C30 E756 C29 →</p>	<p>KMX 3 - F 041</p> 
<p>KMX 3 - M 172</p>  <p>See note 1</p>	<p>Male and female contacts with SMT termination.</p>	<p>KMX 3 - F 172</p>  <p>See note 1</p>

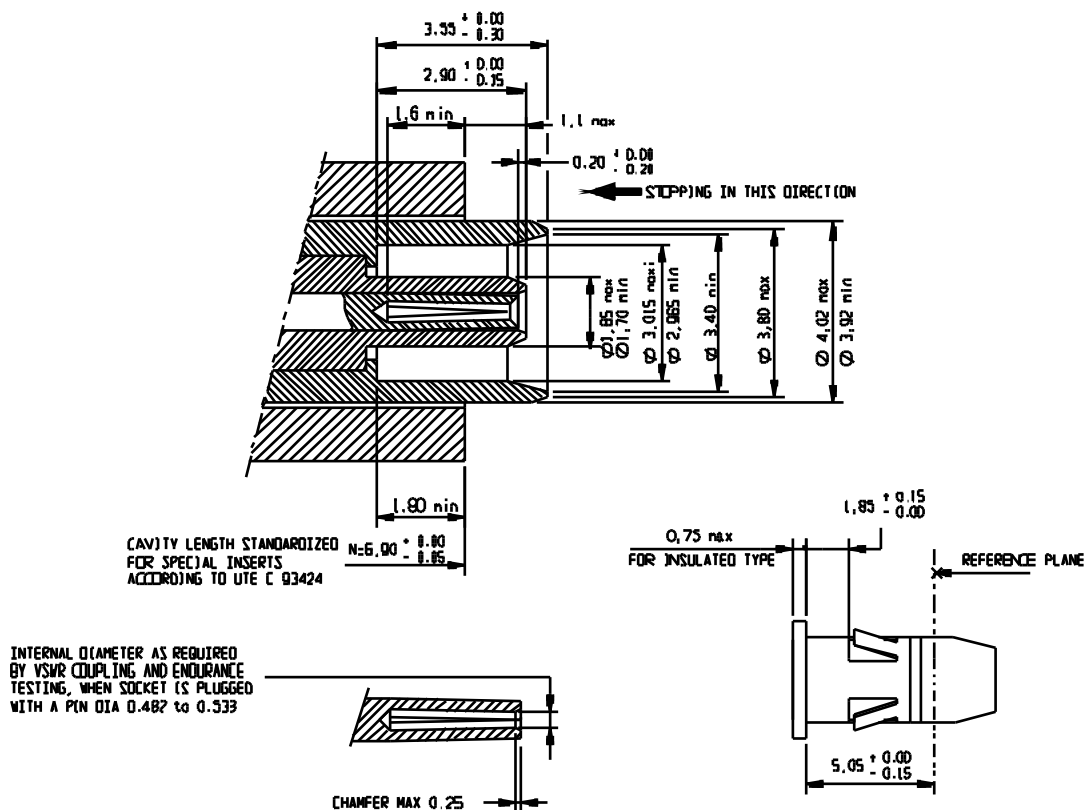
NOTE 1 : Item delivered in special package in order to project the terminations (SMT).
 - pre-insert the contact on the moulding with help of the protection : see drawings 1 and 2 ;
 - or extract the contact according to drawing 3.



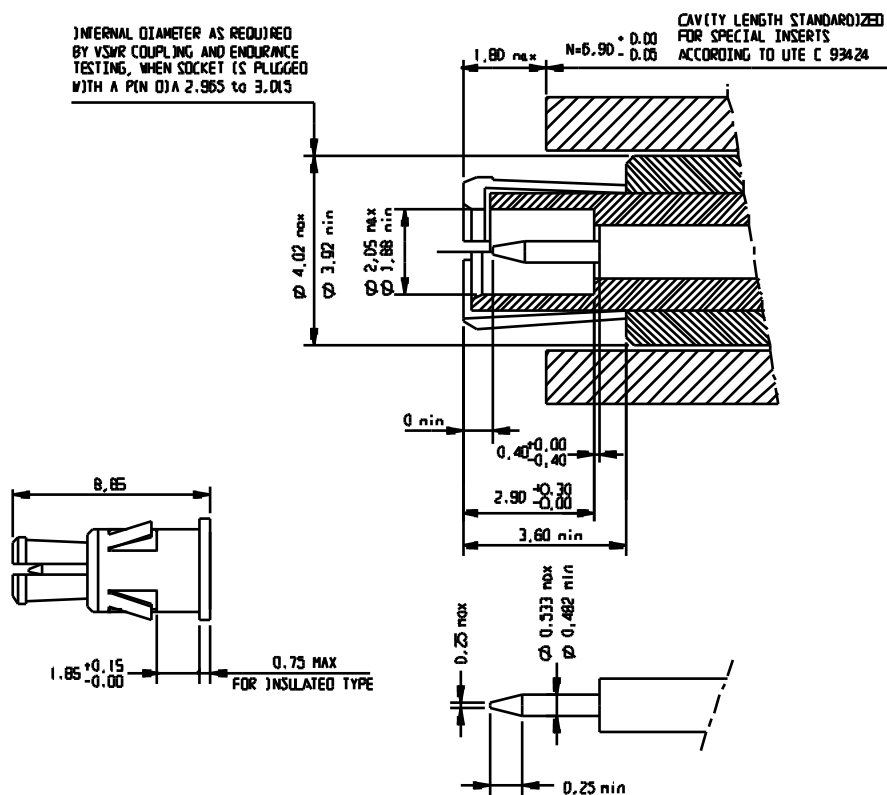
SERIES HE 810

INTERCHANGEABILITY

FEMALE COAXIAL CONTACT



MALE COAXIAL CONTACT



MOUNTING DETAILS FOR COAXIAL CONTACTS

MOUNTING DETAILS FOR COAXIAL CONTACTS SERIES KMX 3 RIGHT ANGLE TERMINATIONS

For information, see diagram IV.

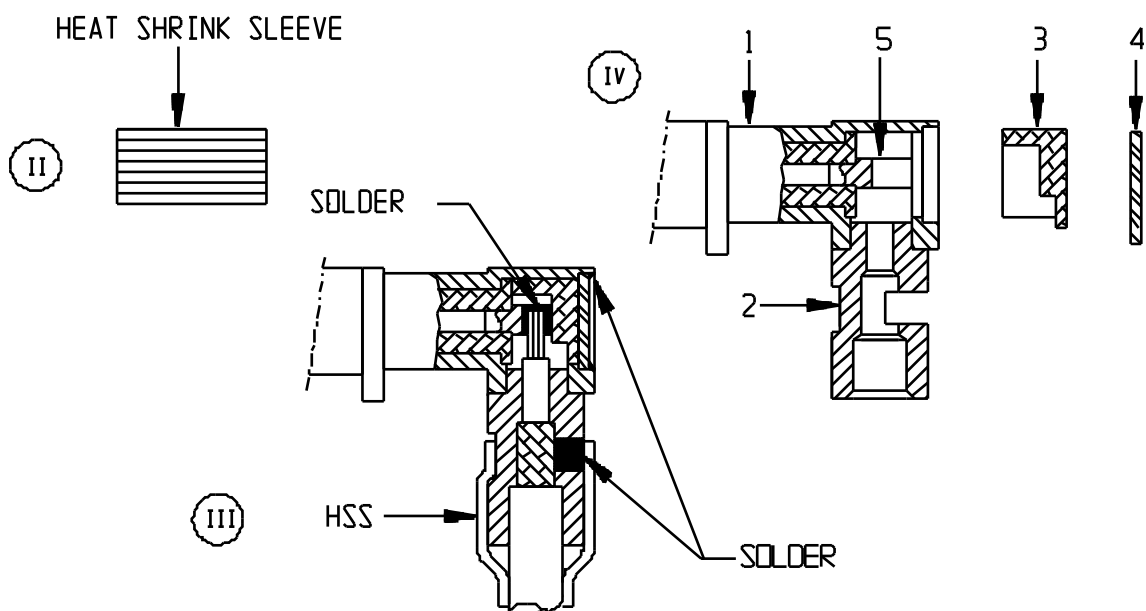
- Strip the cable according to the connector style and take care not to damage the braid and cable core (diagram I).
- Fit the heat shrink sleeve * HSS (diagram II).
- Tin the cable core.
- Push the cable into the body 2 until it is against the shoulder of the body (diagram III).
- Solder the cable core to the inner contact 5 (diagram III).
- Solder the screen ** of the cable to the connector body 2 (diagram III).
- Push insulator pad 3 and connector cap 4 into back of the connector body 1 (diagram III).
- Solder the connector cap to the connector body 1 (diagram III).
- Shrink sleeve over connector and cable (diagram III).

* Excepted for semi-rigid cable.

** For semi-rigid cable : solder the screen.

STRIPPING

<p>KMX 3 - M 092 and F 092 KMX 3 - M 112 and F 112</p>	
<p>KMX 3 - M 142 and F 142</p>	
<p>KMX 3 - M 112 and F 112 E 756 C 57 - C 58 - C 59 C 60 - C 61 - C 62 - C 65 - C 66</p>	



SERIES HE 810

MOUNTING DETAILS FOR COAXIAL CONTACTS

MOUNTING DETAILS FOR COAXIAL CONTACTS SERIES KMX 3 STRAIGHT TERMINATIONS

For information, see diagram IV.

- Strip the cable according to the connector style and take care not to damage the braid and the cable core (diagram I).
- Fit the heat shrink sleeve * HSS (diagram II).
- Tin the cable core.
- Fit the sleeve 4 and the insulating washer 3 (diagram III).
- Push the cable core into the inner contact 2 and solder, the solder should not contaminate the outside \varnothing of the inner contact 2 (diagram III).
- Push the cable into the back of the connector body 1 (diagram IV) until it against the shoulder of the body.
- Solder the screen of the cable ** and the sleeve to the connector body 1 (diagram V).
- Shrink sleeve * over connector and cable.

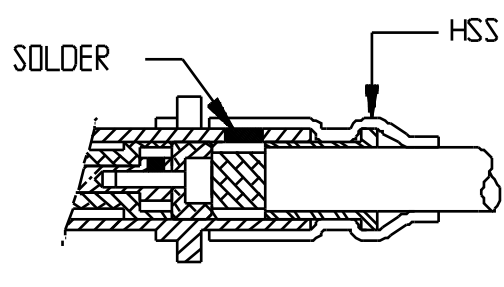
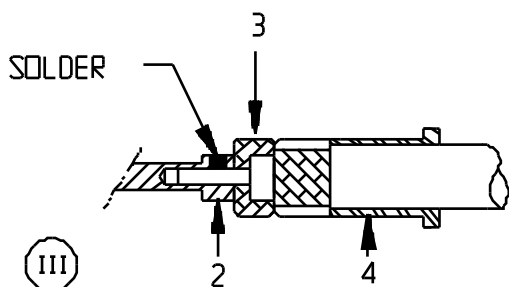
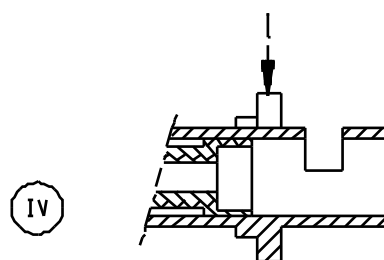
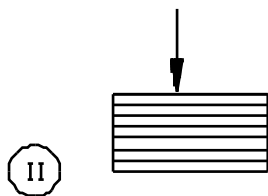
* Excepted for semi-rigid cable.

** For semi-rigid cable : solder the screen.

STRIPPING

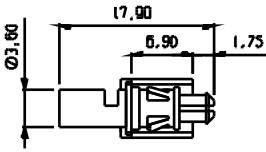
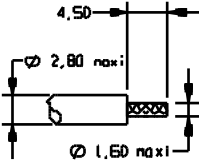
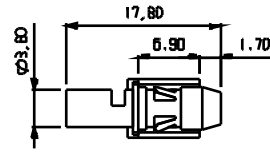
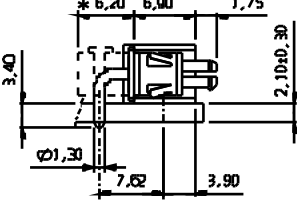
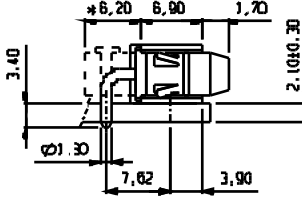
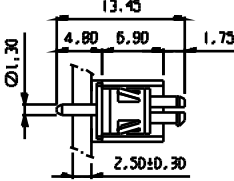
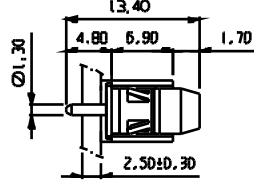
KMX 3 - M 101 and F 101 E 756 C 15 and C 16	
E 756 C 11 and C 12	
KMX 3 - M 081 and F 081 E 756 C 09 et C 10	
KMX 3 - M 131 and F 131	

HEAT SHRINK SLEEVE



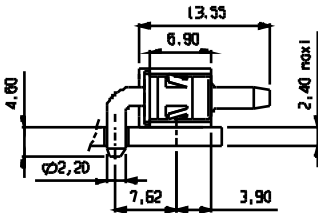
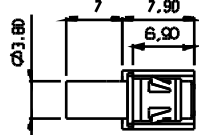
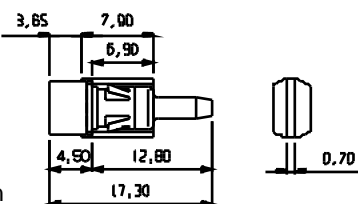
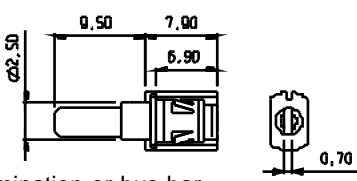
SERIES HE 810 HIGH POWER CONTACTS

KMX 3 series specification NFC 93569 - 10 A under 30 Vdc - 15 A peak

MALE		FEMALE
<p>KMX 3 - M 121</p> 	<p>Cable preparation</p>  <p>Solder termination</p>	<p>KMX 3 - F 121</p> 
<p>KMX 3 - M 132</p> 	<p>Male and female power contacts with 90 p.c.b. terminations.</p> <p>P.c.b. thickness $3,70 \pm 0,30$</p> <p style="text-align: center;">← *E756 C25 E756 C26* →</p>	<p>KMX 3 - F 132</p> 
<p>KMX 3 - M 141</p> 	<p>Male and female power contacts with straight p.c.b. terminations.</p> <p>P.c.b. thickness $5 \pm 0,30$</p> <p style="text-align: center;">← E756 C28 E756 C27 →</p>	<p>KMX 3 - F 141</p> 

* Termination lengths according CEI recommendations.

SPECIAL HIGH POWER CONTACTS 20 A under 30 VCC - 25 A peak

MALE	FEMALE
<p>M 134</p>  <p>Right angle termination</p>	<p>F 124</p>  <p>Crimping tool T and B : MS 3191 A.</p> <p>For wire AWG 12 to 14, positioner G12-G14.</p> <p>For wire AWG 16, positioner G16.</p> <p>Soldering or crimping termination</p>
<p>M 164</p>  <p>Straight termination for bus bar</p>	<p>F 164</p>  <p>Mother board termination or bus bar</p>

Others options, see Additional 97

ATI reserves the right to discontinue the manufacture or change specifications without prior notice, or any parts illustrated in this data sheet.
For more information, please take advice.