

REFERENCE SPECIFICATIONS

-NFC 93425 (in compliance with HE 508)

PHYSICAL CHARACTERISTICS

- INSULATOR MATERIAL: THERMOSET UL94V0
- CONTACT MATERIAL: BRASS
GOLD OVER NICKEL
- ACCESSORIES: BRASS
Cadmium plated, yellow passivation
- SHELLS: STEEL
Cadmium plated, yellow passivation

ELECTRICAL CHARACTERISTICS

- NOMINAL CURRENT: 7.5A
- CONTACT RESISTANCE: <= 7.3 m ohms
- CONTACT/CONTACT : >=1000 V
- CONTACT/GROUND : >=1200 V
- INSULATION RESISTANCE: >=5000 MOhms

ENVIRONMENTAL CHARACTERISTICS

- CLIMATIC CATEGORY: 55/155/56
TEMPERATURE RANGE -55°C TO +155°C
DAMP HEAT STEADY STATE 56 DAYS
SALT SPRAY 48 HOURS

MECHANICAL CHARACTERISTICS

- RETENTION AGAINST TORQUE: - Threaded insert: 0.7 N.m minimum
- Female screw : 0.5 N.m minimum

Series ← DBML 25S 300N

Shell size: E A B C D ←
see sheet 2

Front accessory definition
see sheet 2

- Blank :without accessory
- F :floating mounting
- L :threaded insert M3
- :threaded insert UNC 4-40
- V :female screw UNC 4-40
- S :spacer

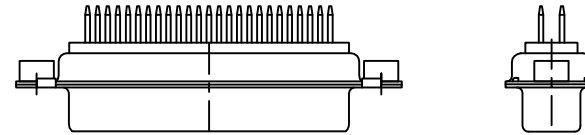
Contact number (see sheet 2) ←
9,15,25,37,50

Contacts ←
S :Socket

Termination type ←
3 :Straight version

Plating ←
00 : 500 matings/unmatings
43 : 500 matings/unmatings for harsh environment

← Obligatory for HE508

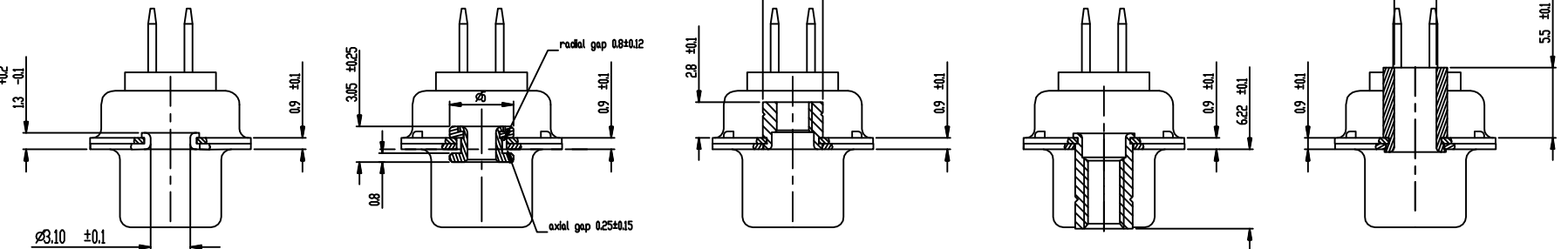


25 WAY for Example

rev	ecn no	dr	date
A	LS06-0174	MPE	2006/11/14
B	LS07-0273	MPE	2007/10/30
C	F12-0018	GPE	2012/02/24
-	-	-	-
-	-	-	-
-	-	-	-

www.fcconnect.com		surface	-	tolerance std	projection	mm
		ISO 1302	✓	ISO 406 ISO 1101		
		TOLERANCES UNLESS OTHERWISE SPECIFIED				
Dr	M PESSON	2006/11/14	ANGULAR	0.X	±0.3	size A2
Eng	P LEGARE	2006/11/14	LINEAR	0.XX	±0.1	Scale 2:1
Chr	P LEGARE	2006/11/14	1° 2°	0.XXX	±0.05	ECN F12-0018
Appr	P LEGARE	2006/11/14	Product family	- Spec ref		
		title		SUB FEMALE DM HE508 series		Rev. C
				with straight solder contact		01-8637-1746
		catalog no		CUSTOMER		sheet 1 of 4

A
B



FRONT ACCESSORY Blank without F floating mounting L insert M3
 □ insert UNC 4.40 V female screw UNC 4.40 S spacer

PART NUMBER	FRONT ACCESSORY
D*MxxS300N	without
D*MFxxS300N	floating mounting
D*MLxxS300N	insert M3
D*MDxxS300N	insert UNC 4.40
D*MVxxS300N	female screw UNC 4.40
D*MSxxS300N	spacer

PART NUMBER	FRONT ACCESSORY
D*MxxS343N	without
D*MFxxS343N	floating mounting
D*MLxxS343N	insert M3
D*MDxxS343N	insert UNC 4.40
D*MVxxS343N	female screw UNC 4.40
D*MSxxS343N	spacer

shell size	Contact number
*	XX
E	09
A	15
B	25
C	37
D	50

CROSS REFERENCES HE508 and FCI

HE508 P/N	FCI P/N	FRONT ACCESSORY
HE508NxxYS4	D*MxxS300N	without
HE508FxxYS4	D*MFxxS300N	floating mounting

Copyright FCI

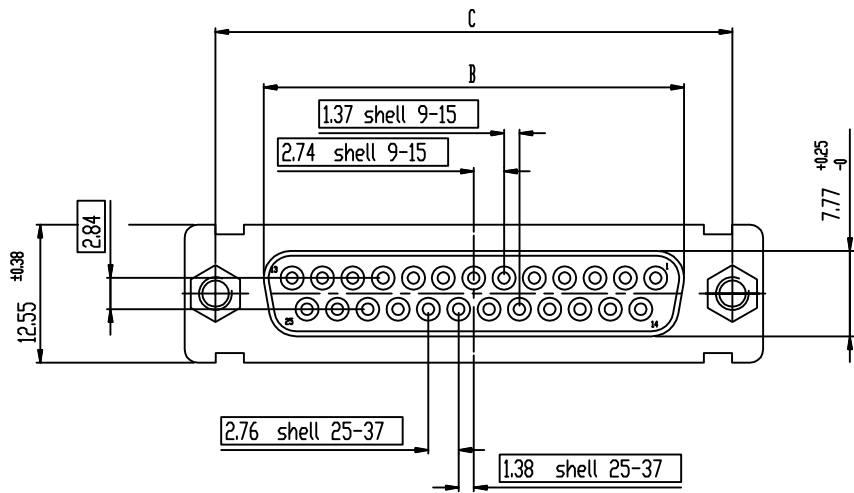
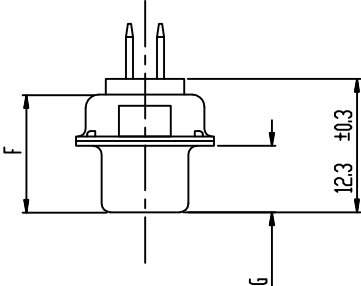
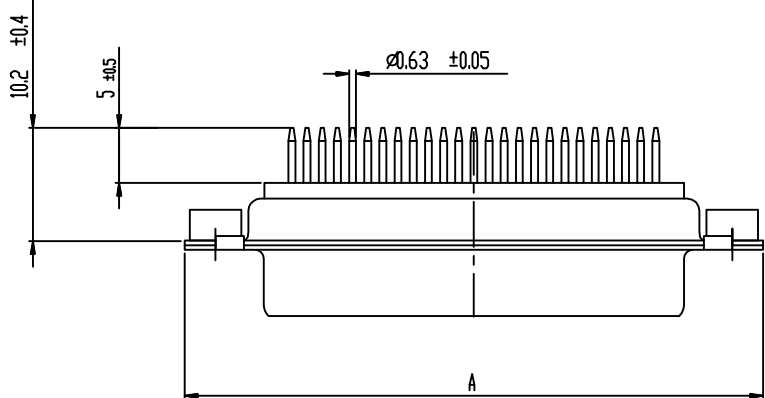
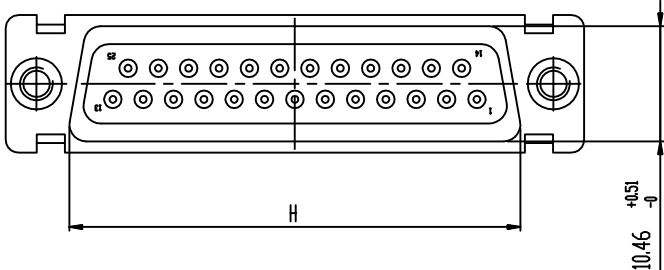
www.fciconnect.com		surface ISO 1302	-	tolerance std ISO 406 ISO 1101	projection ISO 1101	mm
		TOLERANCES UNLESS OTHERWISE SPECIFIED				
Dr	M PESSON	2006/11/14	ANGULAR	0.X	±0.3	size A2
Eng	P LEGARE	2006/11/14	LINEAR	0.XX	±0.1	Scale 2:1
Chr	P LEGARE	2006/11/14	1° 42°	0.XXX	±0.05	ECN F12-0018
Appr	P LEGARE	2006/11/14	Product family	- Spec ref		
FCI		SUB FEMALE DM HE508 series		no	C01-8637-1746	Rev. C
		with straight solder contact		chg		
catalog no				CUSTOMER		sheet 2 of 4

SCALE:4

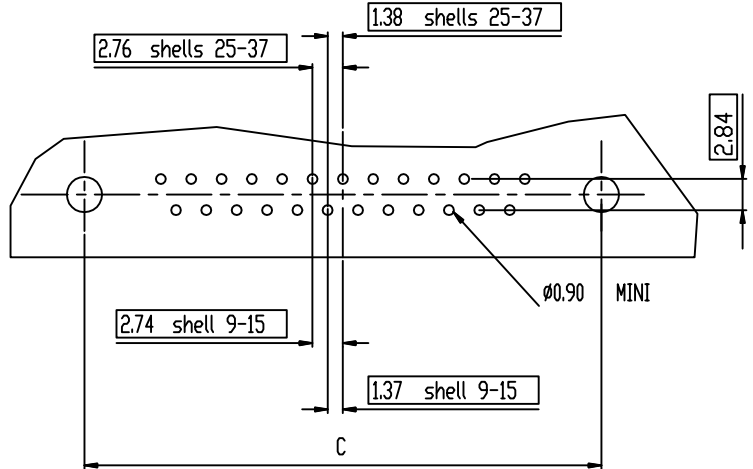
DIMENSIONS FOR SHELL E.A.B.C

Dimensions are in millimeters

Shell size	Number of contacts	A $\begin{smallmatrix} +0.76 \\ -0 \end{smallmatrix}$	B $\begin{smallmatrix} +0.25 \\ -0 \end{smallmatrix}$	C ± 0.12	F $\begin{smallmatrix} +0.57 \\ -0 \end{smallmatrix}$	G $\begin{smallmatrix} +0.25 \\ -0 \end{smallmatrix}$	H $\begin{smallmatrix} +0.51 \\ -0 \end{smallmatrix}$
E	09	30.43	16.21	24.99	10.64	6.05	19.02
A	15	38.76	24.54	33.32	10.64	6.05	27.25
B	25	52.65	38.25	47.04	10.64	6.05	41.02
C	37	68.94	54.71	63.50	10.64	6.05	57.45



LAYOUT AND CONNECTOR DIMENSIONS

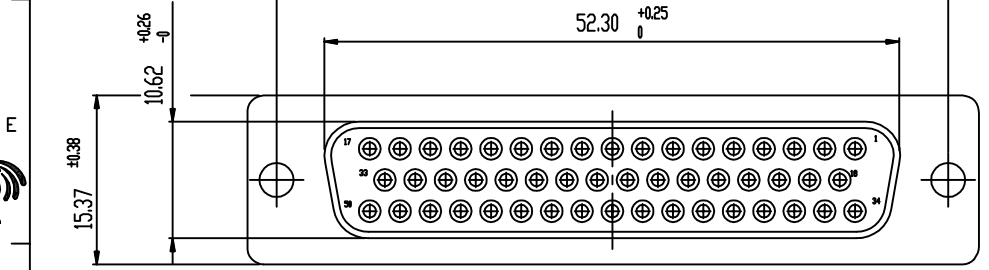
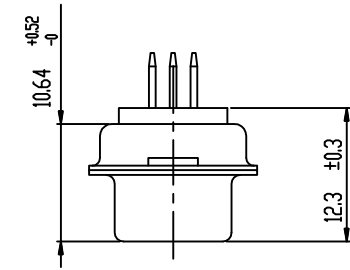
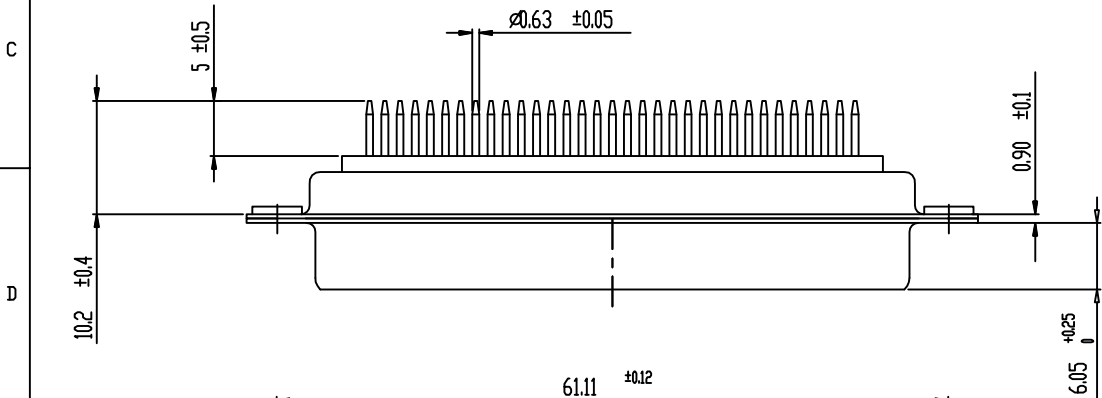
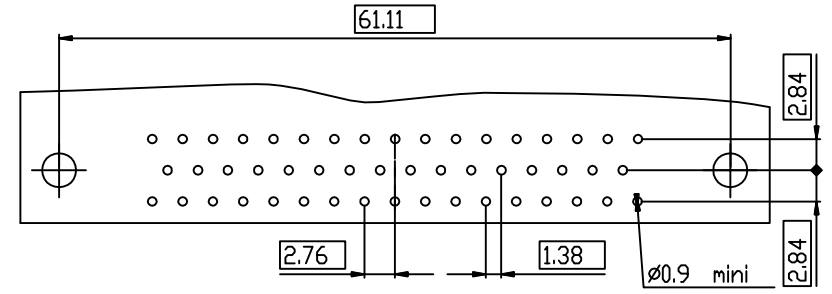
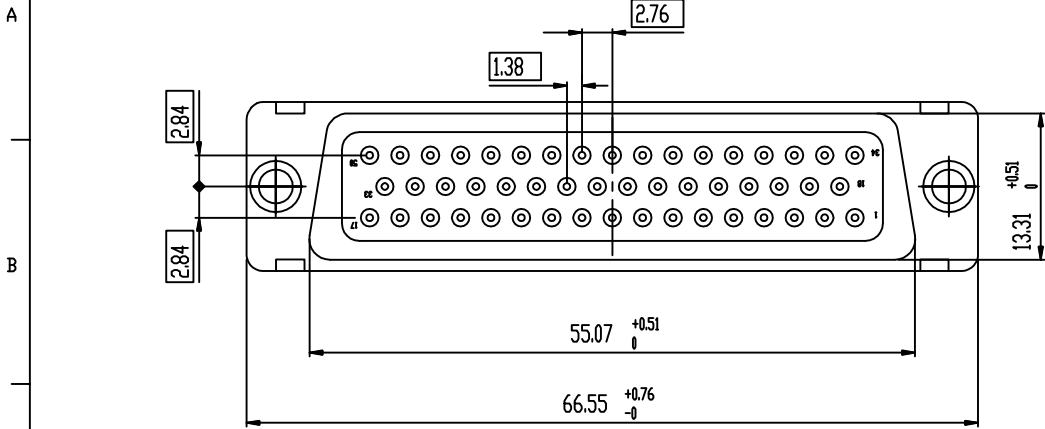


www.fcconnect.com		surface ISO 1302	-	tolerance std ISO 406 ISO 1101	projection A2	mm
		TOLERANCES UNLESS OTHERWISE SPECIFIED				
Dr	M PESSON	2006/11/14	ANGULAR	0.X	±0.3	size A2 Scale 2:1
Eng	P LEGARE	2006/11/14	LINEAR	0.XX	±0.1	
Chr	P LEGARE	2006/11/14	° 42°	0.XXX	±0.05	ECN F12-0018
Appr	P LEGARE	2006/11/14	Product family	- Spec ref		
		SUB FEMALE DM HE508 series		C01-8637-1746		Rev. C
		with straight solder contact		CUSTOMER		sheet 3 of 4
catalog no						

Copyright FCI

DIMENSIONS FOR SHELL SIZE D (50 CONTACTS)

LAYOUT AND CONNECTOR DIMENSIONS



Copyright FCI

www.fciconnect.com		surface ISO 1302	-	tolerance std ISO 406	ISO 1101	projection A2	mm
		TOLERANCES UNLESS OTHERWISE SPECIFIED					
Dr	M PESSON	2006/11/14	ANGULAR	0.X	±0.3	size	Scale
Eng	P LEGARE	2006/11/14	LINEAR	0.XX	±0.1	A2	2:1
Chr	P LEGARE	2006/11/14	1° 42°	0.XXX	±0.05	ECN	F12-0018
Appr	P LEGARE	2006/11/14	Product family	- Spec ref			
title SUB FEMALE DM HE508 series with straight solder contact catalog no		no	C01-8637-1746		Rev.	C	
		no	CUSTOMER		sheet 4 of 4		