

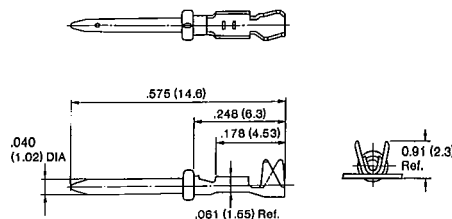
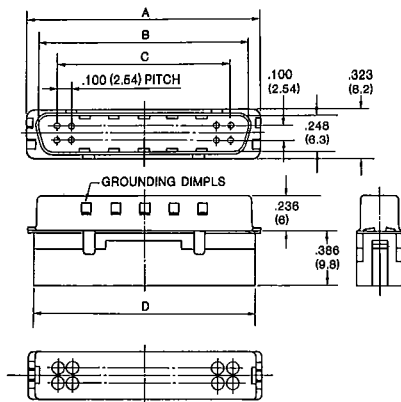
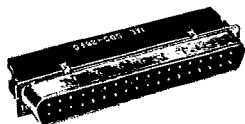
D05 SERIES CONNECTORS.

Dimensions are in inches.
(millimeters in parentheses)

**PLUG (Pin)
D05-**PC-FO**

**CRIMP TYPE PIN CONTACTS
INSULATION SUPPORT**

A-17-03



Description	Part Number
Reeled (10,000 contacts)	D05-20-26P-10000
Loose (100 contacts)	D05-20-26P-PKG100

Applicable wire: AWG #24 to #30
Tooling: Hand Crimp Tool... CT150-2-D05
(Insulation OD: .031 (0.8) to .051 (1.3))

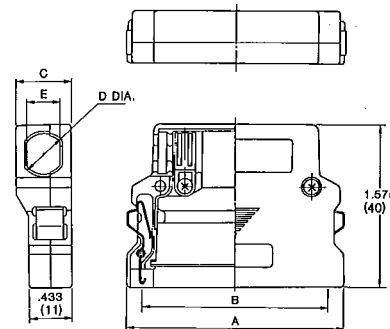
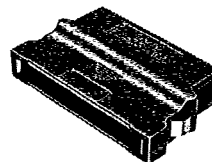
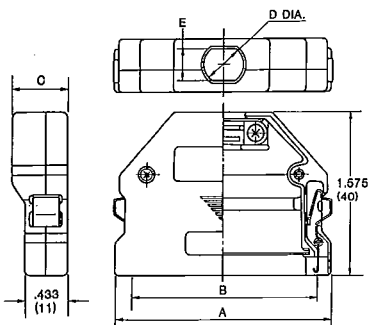
Semi-Automatic Machine... CT350-2-D05
(Insulation OD: .028 (0.7) to .059 (1.5))
Extraction Tool: ET-D05

No. of Contacts	Part Number	A ±.020 (±0.5)	B ±.008 (±0.2)	C ±.008 (±0.2)	D ±.020 (±0.5)
20	D05-20PC-FO	1.315 (33.4)	1.146 (29.1)	.900 (22.86)	1.169 (29.7)
26	D05-26PC-FO	1.614 (41.0)	1.445 (36.7)	1.200 (30.48)	1.469 (37.3)
36	D05-36PC-FO	2.114 (53.7)	1.945 (49.4)	1.700 (43.18)	1.969 (50.0)
50	D05-50PC-FO	2.815 (71.5)	2.646 (67.2)	2.400 (60.96)	2.669 (67.8)

HOOD

• STRAIGHT

• ANGLE



Applicable contact Layouts	Part Number		A ±.020 (±0.5)	B ±.020 (±0.5)	C ±.020 (±0.5)	D dia. ±.020 (±0.5)	E ±.020 (±0.5)
	STRAIGHT	ANGLE					
20	D05-20H-S	D05-20H-R	1.807 (45.9)	1.531 (38.9)	.492 (12.5)	.354 (9)	.276 (7)
26	D05-26H-S	D05-26H-R	2.106 (53.5)	1.831 (46.5)	.531 (13.5)	.382 (9.7)	.299 (7.6)
36	D05-36H-S	D05-36H-R	2.606 (66.2)	2.331 (59.2)	.551 (14)	.433 (11)	.346 (8.8)
50	D05-50H-S	D05-50H-R	3.307 (84)	3.031 (77)	.551 (14)	.512 (13)	.386 (9.8)

Dimension subject to change.



Japan Aviation Electronics Industry, Limited

Head Office: 21-6, 1-chome Dogenzaka, Shibuya-ku, Tokyo
Telephone: (03) 463-3111
Telex: 242-3345 JAE J

Akishima plant: 1413 Nakagami-cho, Akishima-shi, Tokyo
Telephone: (0425) 41-1414

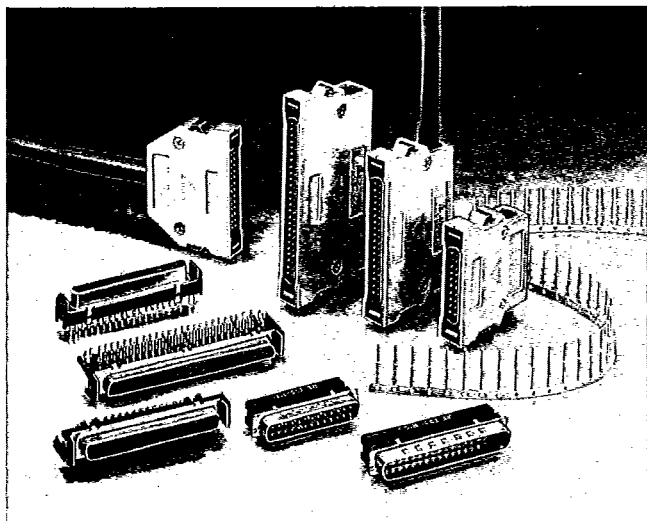
Distributed by:

NEW D SUBMINIATURE INTERFACE CONNECTOR

.100" (2.54 mm) CONTACT CENTERS

RFI/EMI SHIELDING AND GROUNDING

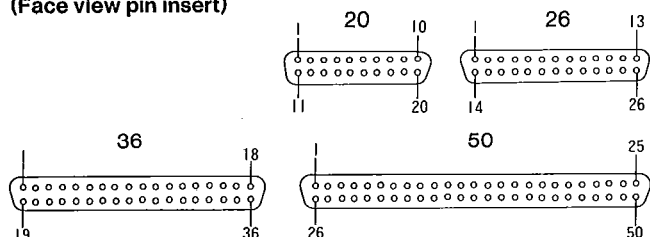
D05 SERIES CONNECTORS



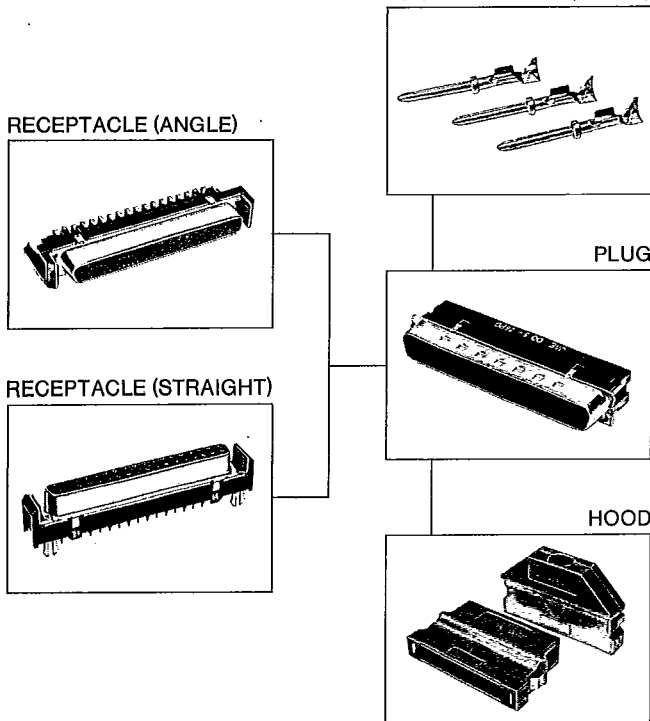
The D05 Series has added a new concept to the popular D-Subminiature family of connectors. The D05 Series features .100" (2.54 mm) contact centers and excellent RFI/EMI shielding protection. Applications include Office Automation Equipment and other various electronic equipment.

- Secure mating of plug and receptacle can be achieved simply by depressing spring locks provided on both sides of the junction shell.
- The receptacle is a right angle and straight PCB through hole type enabling standard mounting to PCB on .100" (2.54 mm) centers. Grounding to PCB can be accomplished through hook lugs provided on the receptacle.
- Crimp snap-in contacts for the plug offer fast and easy wire termination. Grounding dimples on the front metal shell provide secure mating of plug and receptacle shells.
- The aluminum junction shell(hood) with spring locks encloses the entire plug thus giving excellent RFI/EMI shielding protection.
- Contact layouts: 20/26/36/50

CONTACT ARRANGEMENT
(Face view pin insert)



MATING GUIDE



STANDARD DATA

Current rating:	5 Amps
Voltage rating:	AC 300 V r.m.s. max.
Contact resistance:	20 mΩ max.
Insulation resistance:	5000 MΩ min.
Operating temperature range:	-55°C to +125°C
Applicable wire:	AWG #24 to AWG #30
Applicable PCB thickness:	.062±.008 (1.6±0.2 mm)

MATERIALS AND FINISHES

Connector	
Shell:	Steel/Nickel plate
Insulator:	Glass-Filled Polyester UL 94V-0 Color-Black Copper alloy/Tin plate
Grounding lug:	
Contact	
Socket:	Copper alloy Contact area/Gold over nickel Termination area/Tin over nickel
Pin:	Copper alloy Entire contact area/ Gold over nickel
Hood	
Body:	Aluminum alloy/Nickel plate
Cable clamp:	Brass/Nickel plate
Locking-springs:	Stainless steel/ Passivated treatment