

Indicator Lights

Approvals

UL recognized, CSA certified. Dielectric strength: 1250 volts (live parts to ground). Life: 35,000 hours average rating. Insulation resistance: 5 megohms.

Terminals

Style A - 1/4-inch quick-connect

Compatible with Q-Series switches (see pp. 4-5).

Lamps

6, 12 and 28 volt incandescent lamps standard.
125 and 250 volt neon lamps standard.

Special Lamps

Green neon 125 and 250 volt lamps for green lens.

LED Display

LED display options available. Consult factory for non-standard voltage requirements.

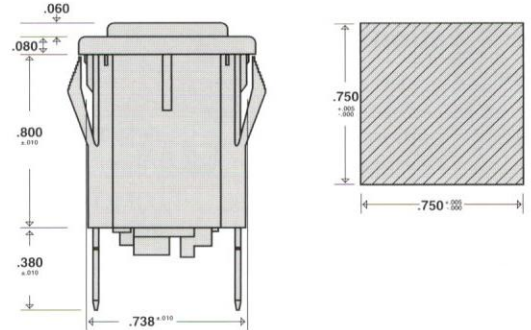
Markings




Letters, numbers and symbols can be applied to lens or to integral nylon bezel; see inside back cover for details.

Mounting

Snap-in type panel mounting for ease of installation without additional mounting hardware.

QGS



Indicator	Circuit Diagram	Matches
S-Series		SLA & SLM Pushbuttons CRTP & CRTL Rockers
Q-Series		QP & QL Pushbuttons
CR-Series		CRS Rockers

Ordering Information:



Indicator

SGS
SGT
QGS
CRSO



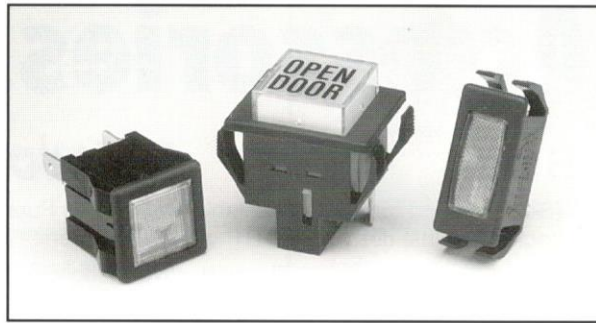
Terminal

A=1/4" Quick Connect
B*=3/16" Quick Connect
C*=Solder



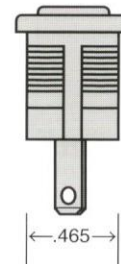
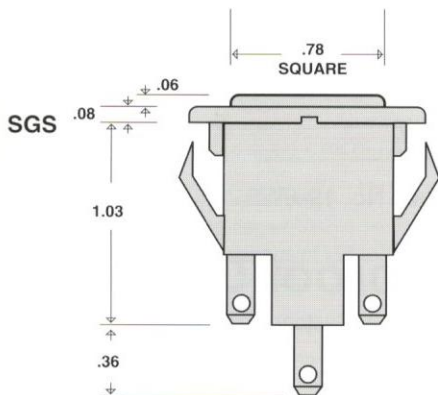
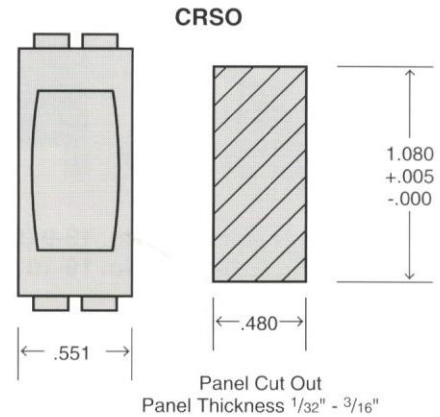
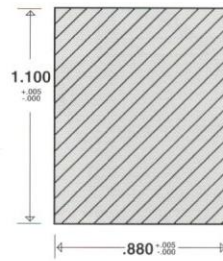
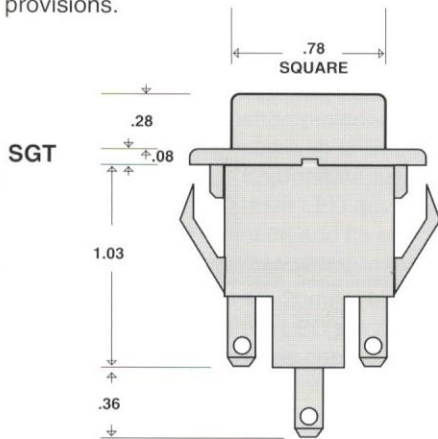
Lamp Voltage

6V=6 Volt Incandescent
12V=12 Volt Incandescent
28V=28 Volt Incandescent
125V=125 Volt Neon
250V=250 Volt Neon
6VR=6 Volt Red LED
6VG=6 Volt Green LED
12VR=12 Volt Red LED
12VG=12 Volt Green LED



Compatible with S (see pp. 2-3) or CRT Series switches (see pp. 22-31) and can be grouped easily with them without the need for special mounting provisions.

Compatible with CRS-Series switches (see pp. 18-21) and can be grouped easily with them without the need for special mounting provisions.



Cap Style

D=Beveled (S-Series only)

Lens Color

- 1=Red
- 2=Clear
- 3=Amber
- 4=Green
- 5=Blue

Housing Color

M9=Black
(For other colors contact factory)

Accessories

- B=Barrier
- T=Boot
- E=Epoxy Seal



Phone (203) 272-2794 • Fax (203) 272-3492 • <http://www.osloswitch.com>

MADE IN U.S.A.