

INTRODUCTION

The B series connectors are of robust design with fixed solder pot contacts of 15 A current rating. They are available in four different contact arrangements.

By their ruggedness, they are particularly suitable for rack and panel and cable to panel applications.

APPLICATIONS

The series B connectors ensures complete safety for the following applications:

Industries, transports, communications, power equipment and all specific civil and military electronic systems.

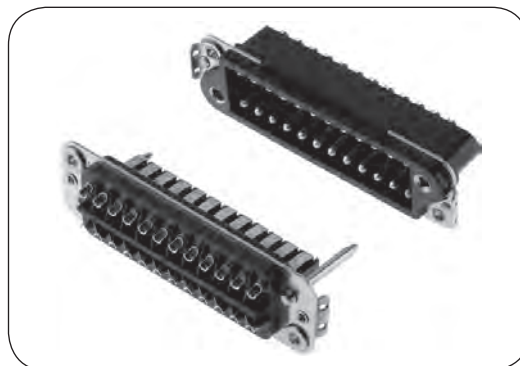
FEATURES

Plug and receptacle connectors are made of a thermoset insulator moulded onto a stainless steel fixing plate. Four contact arrangements are available, 8, 14, 24 and 32 contacts.

The receptacle box type connectors are fitted with round pin contacts. The plug connectors are fitted with spring blade contacts and two stainless steel guide pins of different diameter providing polarization and mating before the contacts to ensure correct alignment.

The pin contacts are in silver plated brass, the spring blade contacts are in silver plated bronze. The cambered configuration and elasticity procures a self wiping condition at each mating, ensuring high reliability.

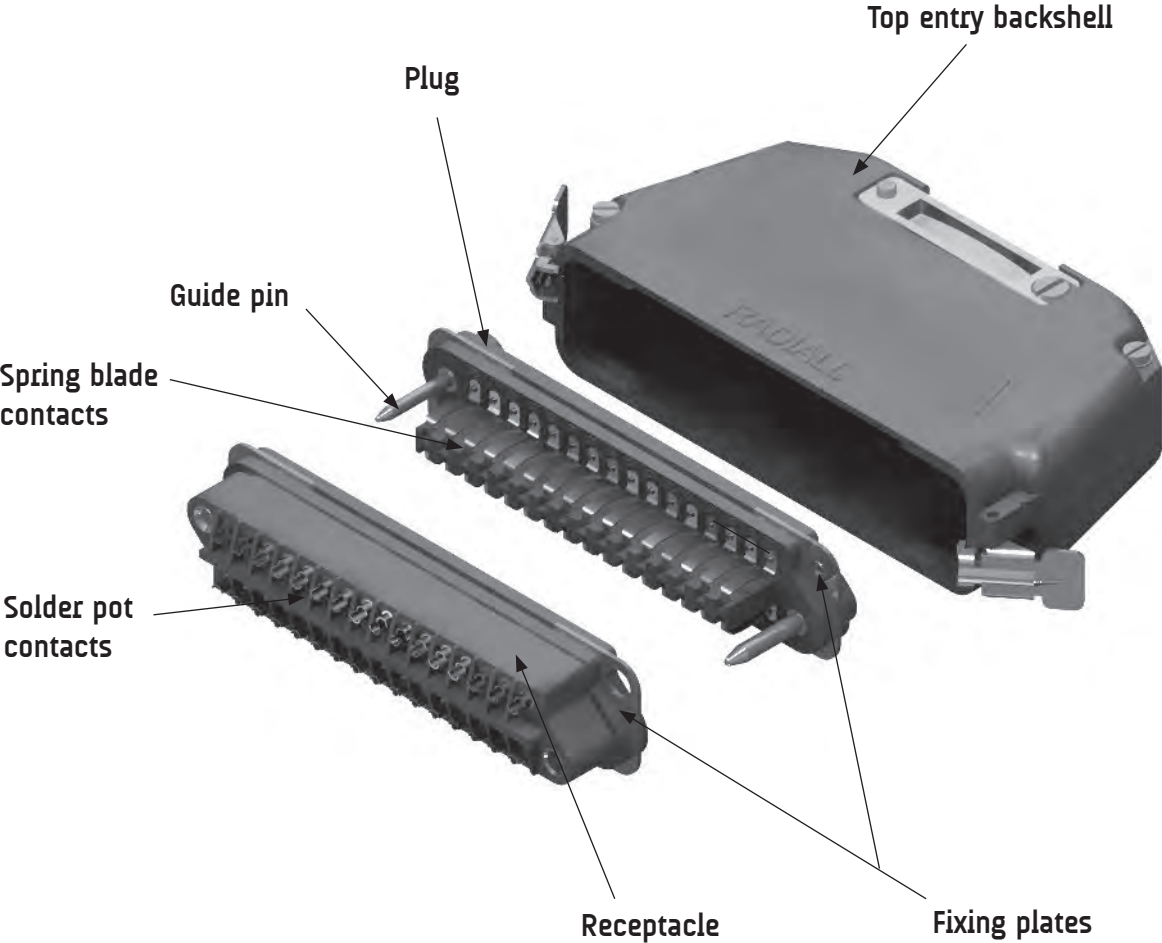
The B series connector is only available with solder pot termination for gauge 16 wires. Standard receptacle connectors are fitted with floating eyelets, which allows 0.75 mm radial float.



PRODUCT OVERVIEW

B series

Detailed view of the various parts of this series connector.



TECHNICAL CHARACTERISTICS

ELECTRICAL

Current rating by contact: 15 A

Test voltage:

- Between contacts: > 1500 V.r.m.s.
- Between contacts and earth: > 2000 V.r.m.s

Insulation resistance: > 5000 MΩ

Contact resistance: < 10 mΩ

MECHANICAL & ENVIRONMENTAL

Temperature range: -55°C (-131°F) to +125°C (+257°F)

Humidity: 21 days

Mating & unmating: 500 cycles

Contact retention: > 50 N

MATERIALS

Description	Material / Finish
Insulator block	Glass filled phenolic
Pin contacts (male)	Brass - silver plated
Spring blade contacts (female)	Bronze - silver plated
Guide pins	Stainless steel
Fixing plate	Stainless steel

MASSES g (oz)

Plug				
Contact Arrangement	08	14	24	32
Weight	35 (1.25)	50 (1.80)	70 (2.50)	85 (3)
Receptacle				
Contact Arrangement	08	14	24	32
Weight	35 (1.25)	50 (1.80)	70 (2.50)	85 (3)
Backshells				
Side entry	170 (6)	190 (6.70)	265 (9.35)	300 (10.60)
Top entry	180 (6.35)	200 (7.05)	280 (9.90)	320 (11.30)

The following is indications to help you out when ordering B connectors.

When a receptacle connector is ordered with the locking system, in place of the floating eyelets, brackets are fitted whilst the locking clips are always fitted on the backshell.

For backshell and accessories please refer to pages 8-21 to 8-22 for ordering.

The plug connector is fitted with spring leaf contacts and the receptacle box type connector with pin contacts.

CONNECTOR PART NUMBER

B	24	M	71	NV
----------	-----------	----------	-----------	-----------

Series prefix _____

Contact arrangement _____
08 - 14 - 24 - 32

Product type _____
M: plug connector
F: receptacle connector

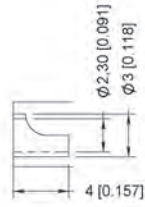
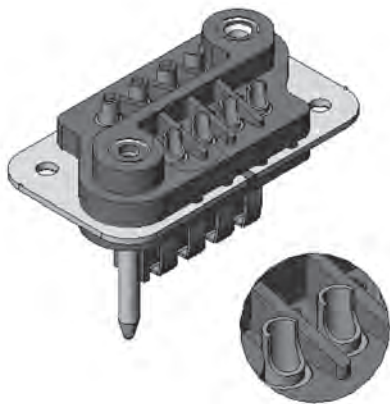
Termination style ⁽¹⁾ _____
71: Ø2.30 solder pot
73: Ø3.20 solder pot
74: PC Tail
75: 5 mm terminal blade
78: NFC 20120 terminal blade
80: screw cup termination

Modification code _____
NV: without locking
VP: brackets for locking system receptacle only (see page 8-19 for details)

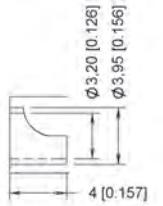
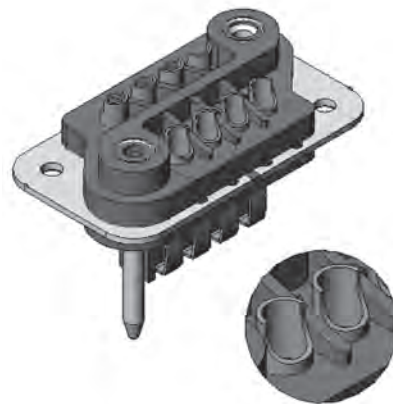
NOTES:
 (1) Please refer to page 380 for views of termination styles.

TERMINATION STYLES

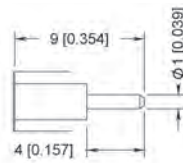
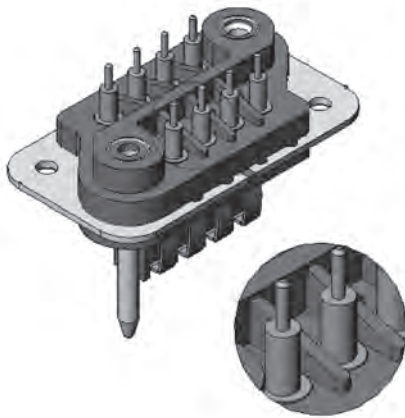
Following are the different termination styles available in details.



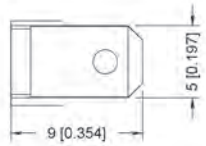
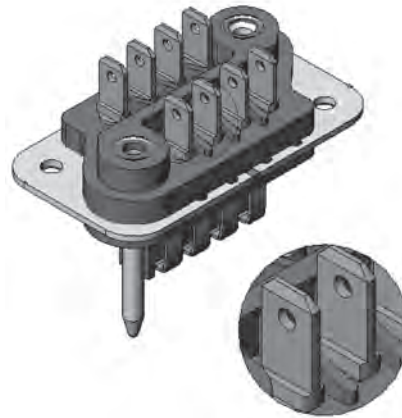
Style 71



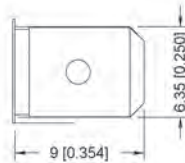
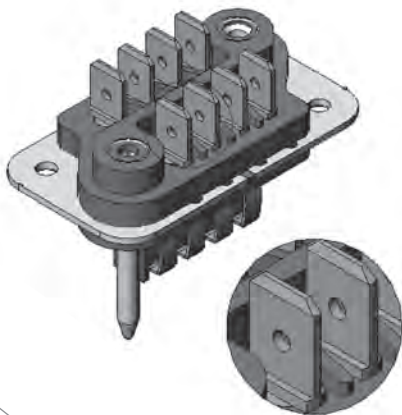
Style 73



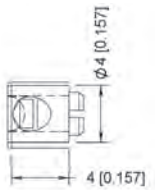
Style 74



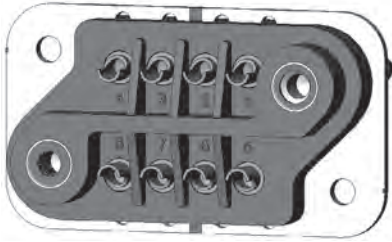
Style 75



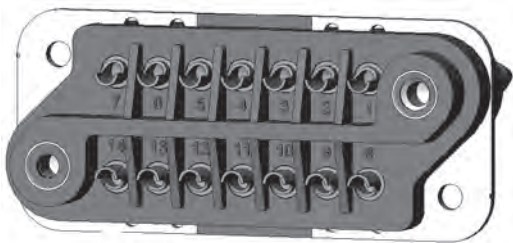
Style 78



Style 80



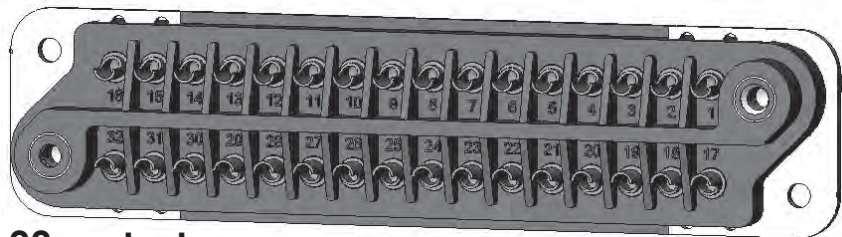
8 contacts



14 contacts



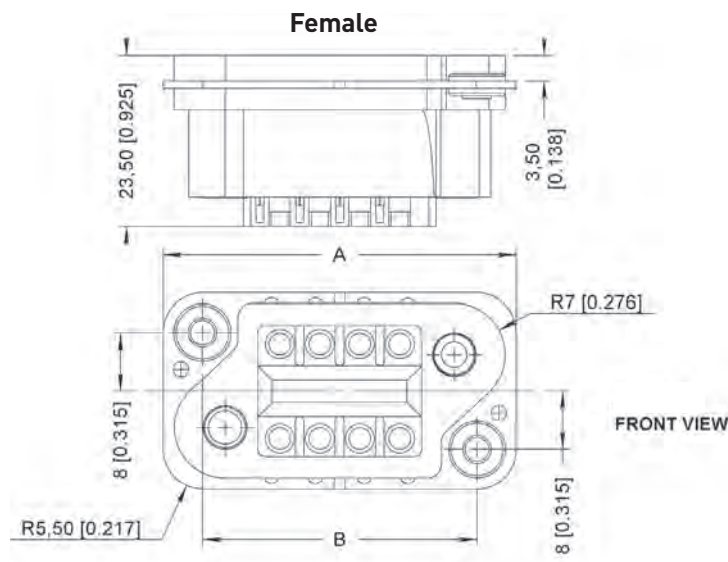
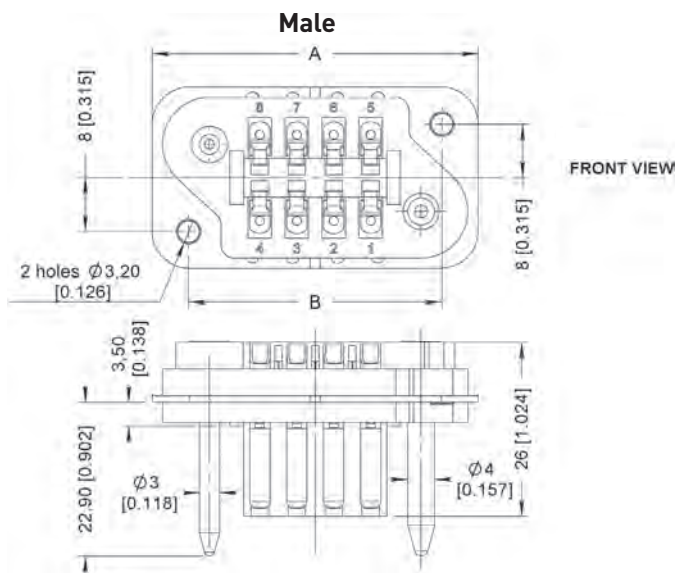
24 contacts



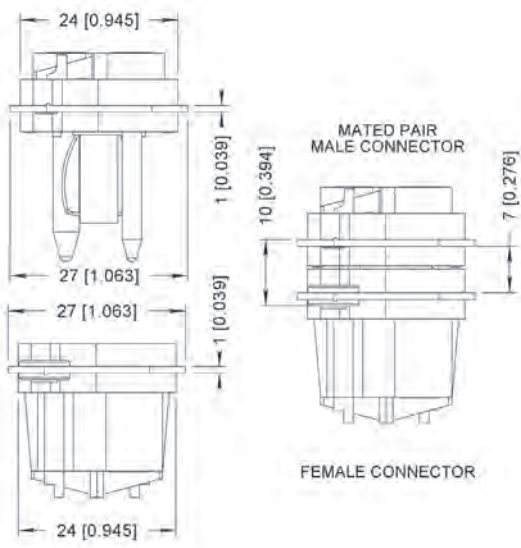
32 contacts

DIMENSIONS mm(inch)

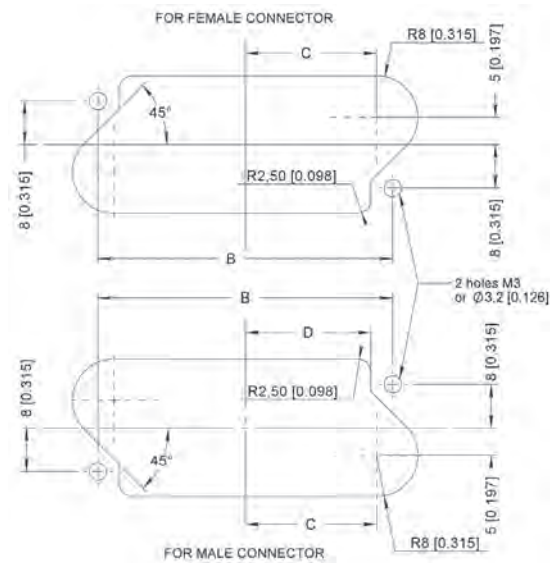
SINGLE SHELL DIMENSIONS



MATED SHELL DIMENSIONS



PANEL CUT OUTS



Contact Arrangement	Plug & receptacle connector dimensions mm(inch)			
	A	B	C	D
08	48.5 (1.909)	37.5 (1.476)	15.75 (0.620)	15.5 (0.610)
14	65 (2.559)	54 (2.125)	24 (0.944)	23.5 (0.925)
24	92.5 (3.641)	81.5 (3.208)	37.75 (1.486)	37.5 (1.476)
32	114.5 (4.507)	103.5 (4.074)	48.75 (1.919)	48.5 (1.909)