

THIS DRAWING IS UNPUBLISHED. RELEASED FOR PUBLICATION --
 © COPYRIGHT BY TYCO ELECTRONICS CORPORATION. ALL RIGHTS RESERVED.

LOC		DIST		REVISIONS					
AF		50		P	LTR	DESCRIPTION	DATE	DWN	APVD
				R		REV PER ECR-05-017407	14APR06	HMR	KR

D

C

B

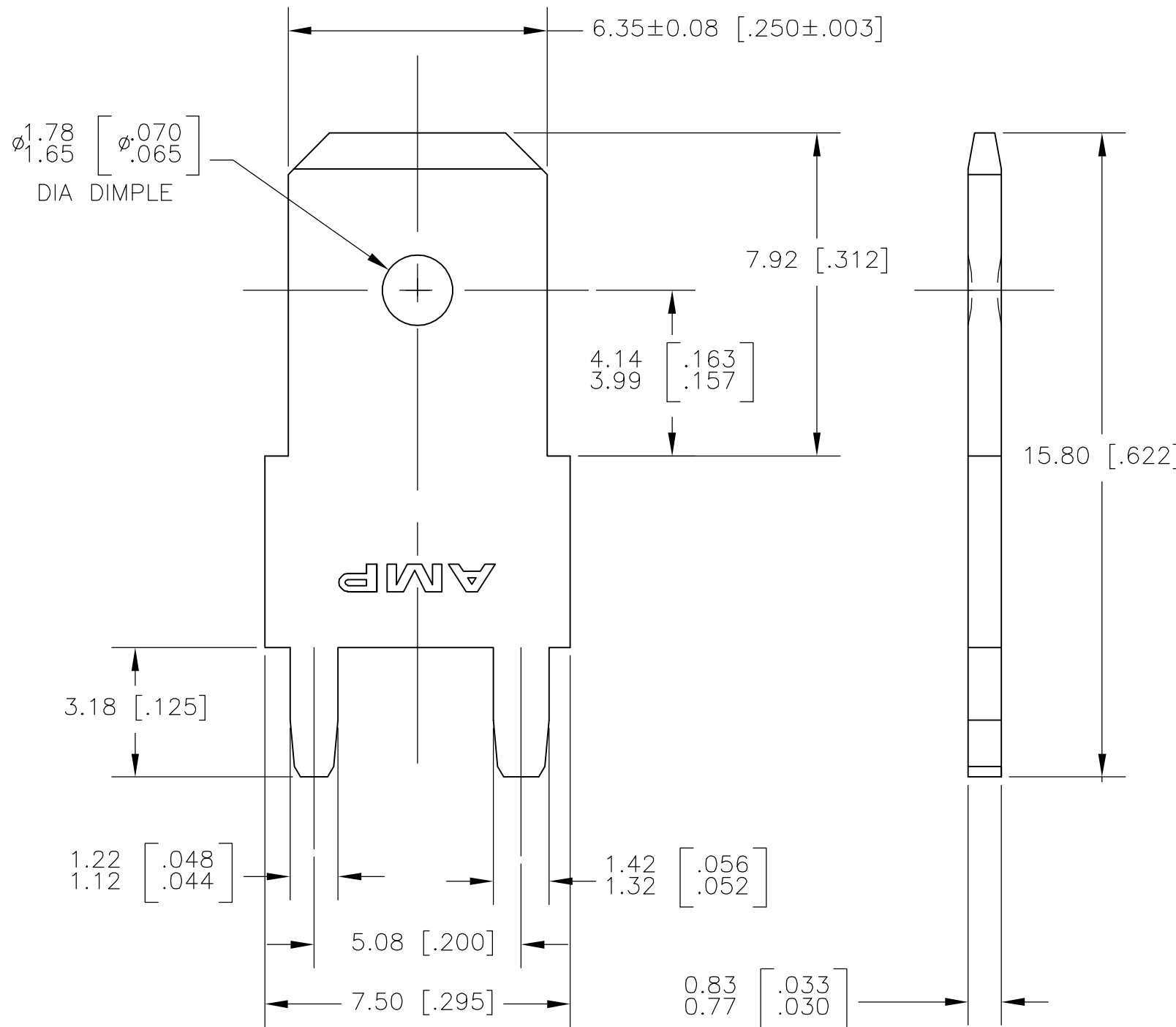
A

D

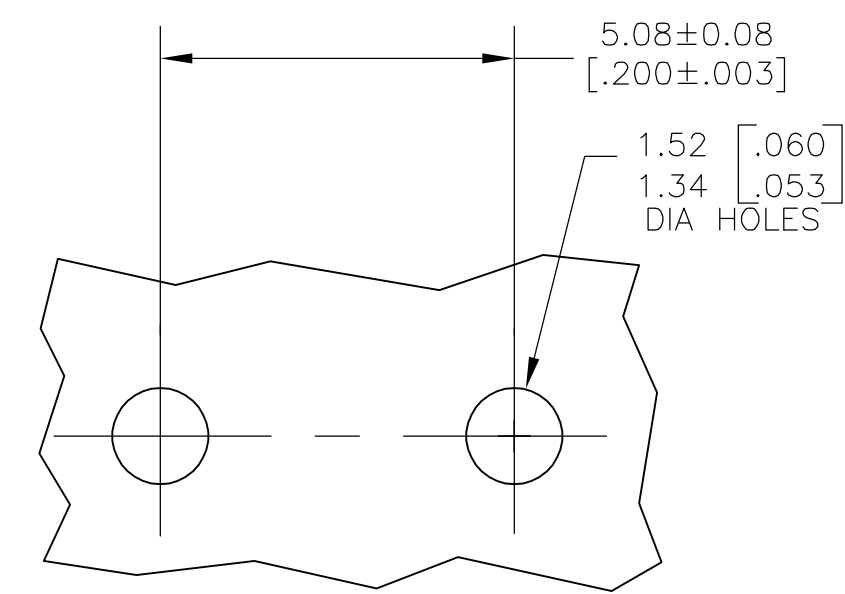
C

B

A



- 1 SUPPLIED IN LOOSE PIECE.
- △2 0.00381 [.000150] MIN TIN OVER
0.00254 [.000100] MIN THK COPPER.
- △3 0.00381 [.000150] MIN SILVER OVER
0.00254 [.000100] MIN THK COPPER.
- △4 SPECIAL PACKAGING QUANTITY
- △5 PRELIMINARY - NOT FOR PRODUCTION



P.C. BOARD HOLES
SCALE 10:1

	△2	△4	9-62409-1	△5
OBSOLETE	△3		62409-3	
OBSOLETE			62409-2	
	△2		62409-1	
FINISH			PART NUMBER	

THIS DRAWING IS A CONTROLLED DOCUMENT.		DWN	JR RUTH	30NOV00	tyco Electronics	Tyco Electronics Corporation Harrisburg, PA 17105-3608				
DIMENSIONS: mm [INCHES]		CHK	MS FEHER	30NOV00		NAME TAB, FASTON, PC BOARD, 6.35 [.250] SERIES				
TOLERANCES UNLESS OTHERWISE SPECIFIED:		APVD	G PORTA	30NOV00	PRODUCT SPEC					
0 PLC ± -		APPLICATION SPEC			SIZE		CAGE CODE	DRAWING NO	RESTRICTED TO	
1 PLC ± -		WEIGHT			A3		00779	C=62409	-	
2 PLC ± 0.38 [.015]		CUSTOMER DRAWING			SCALE		8:1	SHEET		1 of 1
3 PLC ± -					REV		R			
4 PLC ± -										
ANGLES ± -										
MATERIAL										
082 BRASS										
FINISH										
SEE TABLE										