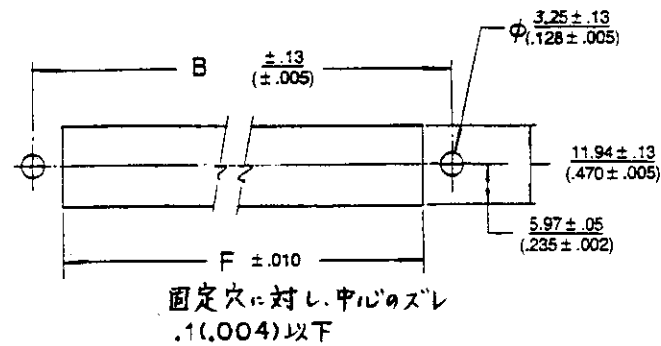
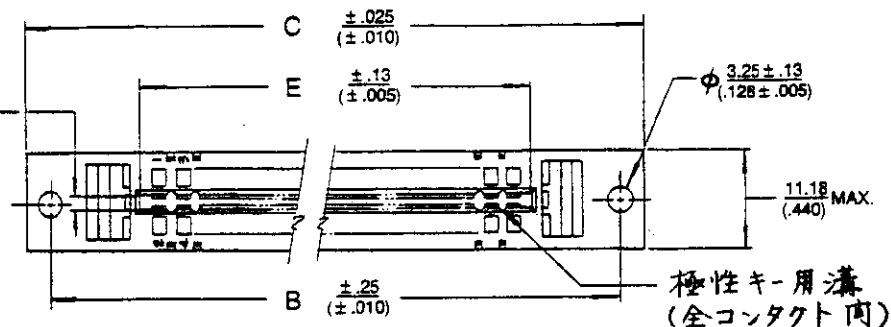


LOC	DIST	REVISIONS			DATE	DWN	APVD
		P	LTR	DESCRIPTION			
J	-	0		Released(FJ00-1640-00)	08NOV00	(S.M)	ca

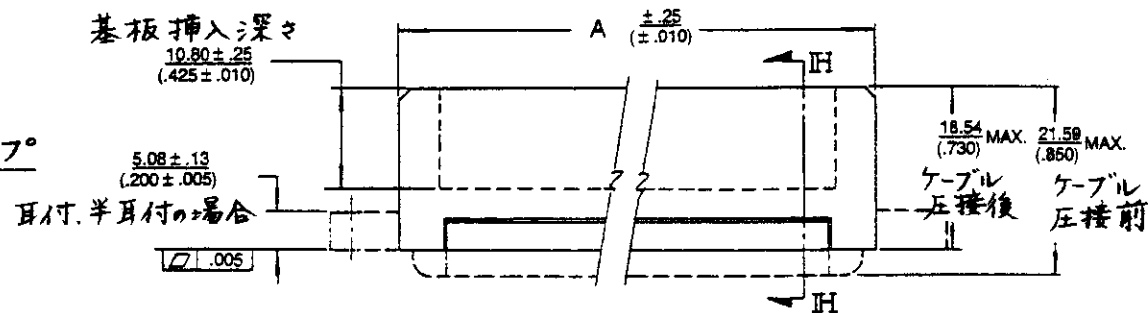
基板挿入溝
(適合基板厚 1.80/1.45
(.071/.057))

耳付タイプ

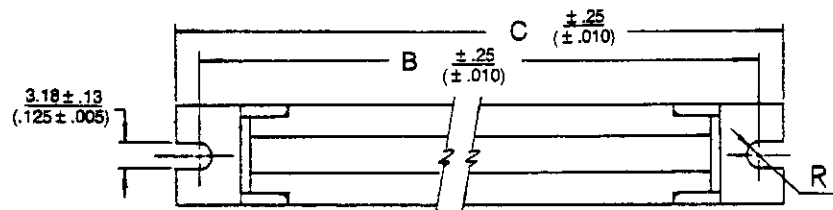


パネルカット寸法

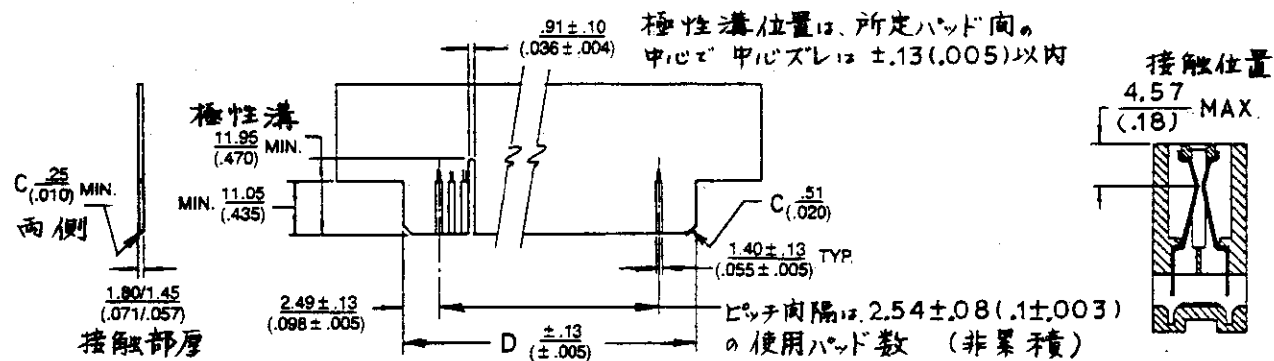
耳無しタイプ



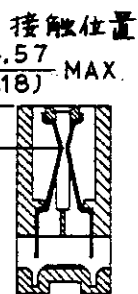
半耳付タイプ



タイプ	型番	旧型番	極数	寸法					
				A	B	C	D	E	F
耳付	9-1437003-5	622-5005	50	75.16 (2.959)	86.36 (3.400)	99.06 (3.900)	65.91 (2.595)	66.17 (2.605)	75.92 (2.989)
	1437004-4	622-6005	60	87.86 (3.459)	99.06 (3.900)	111.76 (4.400)	78.61 (3.095)	78.87 (3.105)	88.62 (3.489)
半耳付	7-1437003-3	622-2625	26	44.68 (1.759)	53.34 (2.100)	58.42 (2.300)	35.43 (1.395)	35.69 (1.405)	45.44 (1.789)
耳無し	5-1437003-4	622-1015	10	24.36 (0.959)			15.11 (0.595)	15.37 (0.605)	25.12 (0.989)
	6-1437003-2	622-2015	20	37.06 (1.459)			27.81 (1.095)	28.07 (1.105)	37.82 (1.489)
	7-1437003-0	622-2615	26	44.68 (1.759)			35.43 (1.395)	35.69 (1.405)	45.44 (1.789)
	7-1437003-9	622-3415	34	54.84 (2.159)			45.59 (1.795)	45.85 (1.805)	55.60 (2.189)
	8-1437003-6	622-4015	40	62.46 (2.459)			53.21 (2.095)	53.47 (2.105)	63.22 (2.489)
	9-1437003-6	622-5015	50	75.16 (2.959)			65.91 (2.595)	66.17 (2.605)	75.92 (2.989)



プリント基板寸法



IH - IH

THIS DRAWING IS A CONTROLLED DOCUMENT.

DIMENSIONS:	TOLERANCES UNLESS OTHERWISE SPECIFIED:
MM (INCH)	
0 PLC	± -
1 PLC	± -
2 PLC	± -
3 PLC	± -
4 PLC	± -
ANGLES	± -
MATERIAL	FINISH
-	-

DWN (S.MAKI) 08NOV00
CHK K/Sai 12NOV00

APVD
PRODUCT SPEC
APPLICATION SPEC
WEIGHT
CUSTOMER DRAWING

AMP Tyco Electronics AMP K.K. Kawasaki, Japan

NAME: カードエッジ コネクタ, 622シリーズ
CARD EDGE CONNECTOR 622 SERIES

SIZE: A3 CAGE CODE: 00779 DRAWING NO: C-9-1437003-5 RESTRICTED TO: -

SCALE: - SHEET: 1 OF 1 REV: 0