



► Products ► Design Resources ► Technical Info ► Global Sales ► News/Events

Quick Reference

Search by part #

Check distributor part inventory

**Stock Check**  
CLICK HERE! →

Products

Browse Products

Useful Links

- [MSDS Safety Sheets](#)
- [How to order?](#)
- [Find Sales Rep](#)
- [Find Distributor](#)
- [Sample Request](#)
- [Quote Request](#)
- [Catalog Request](#)
- [Building a part #](#)
- [Part # Cross Ref](#)

For use with TO-3 packages

Printer friendly version

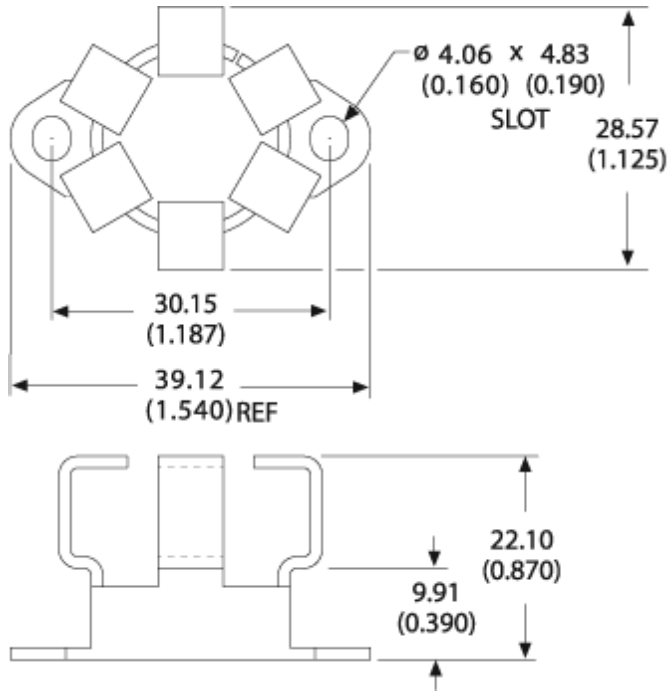
Part Number - 579103B00000G

RoHS   
Compliant

Product   
Change   
Notice



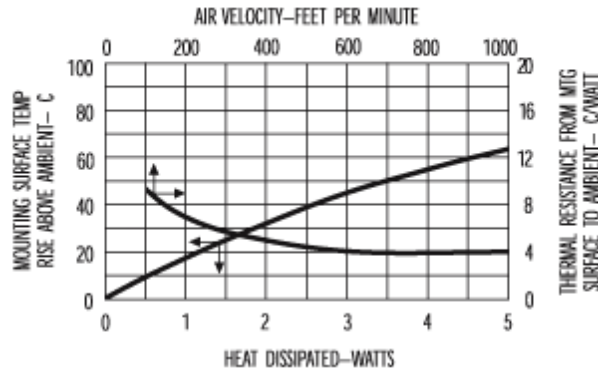
Mechanical Outline Drawing



Thermal Curves

Thermal Resistance	12.50
--------------------	-------

Thermal resistance value is based on a 75°C rise in natural convection



## Product Information

Part #	Description	Finish	Board Mounting
579103B00000G	Space saving expandable collar heat sink	Black Anodize	N/A

### Not Exactly what you need?

We offer several options for those applications which require a more unique solution. For slight modifications of this part or other attachment options, finishes, and interface materials, contact your [local representative](#). Challenge us with your thermal requirements - we can design custom solutions.

[Home](#) • [Sitemap](#) • [Disclaimer Statement](#) • ©2007 Aavid Thermalloy, LLC