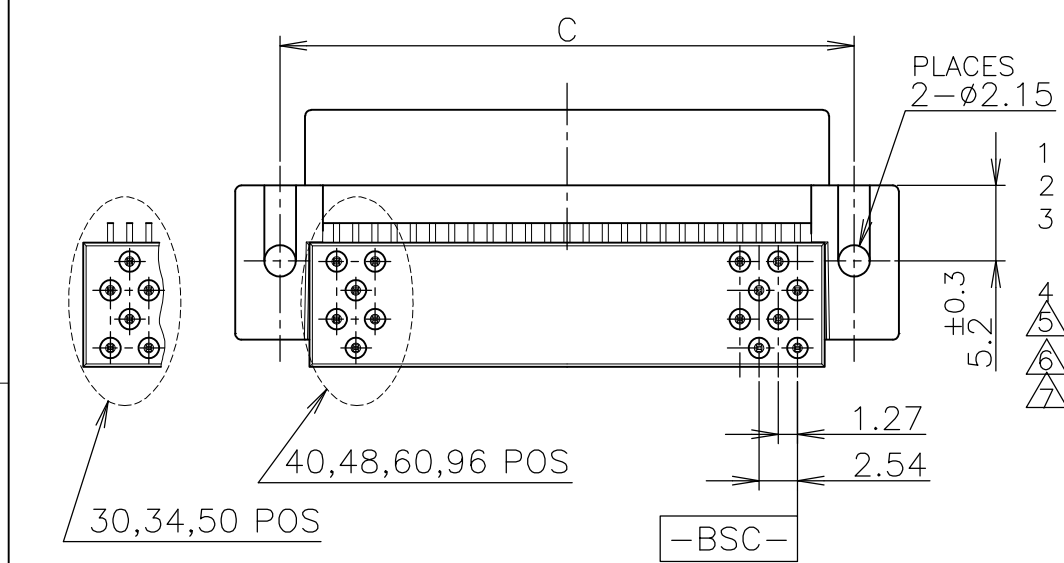
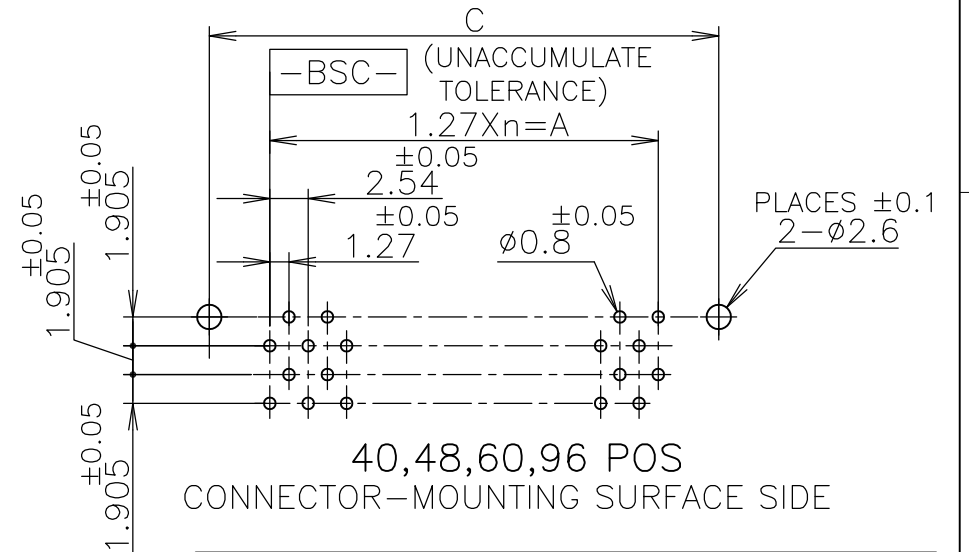
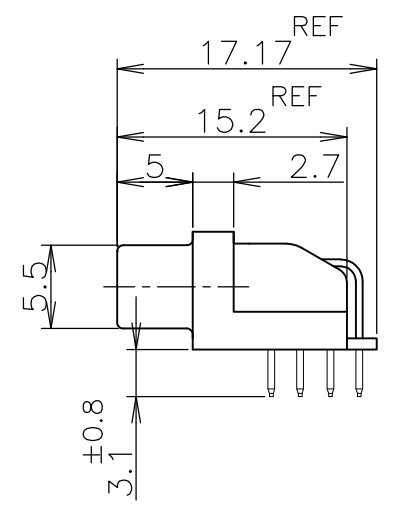
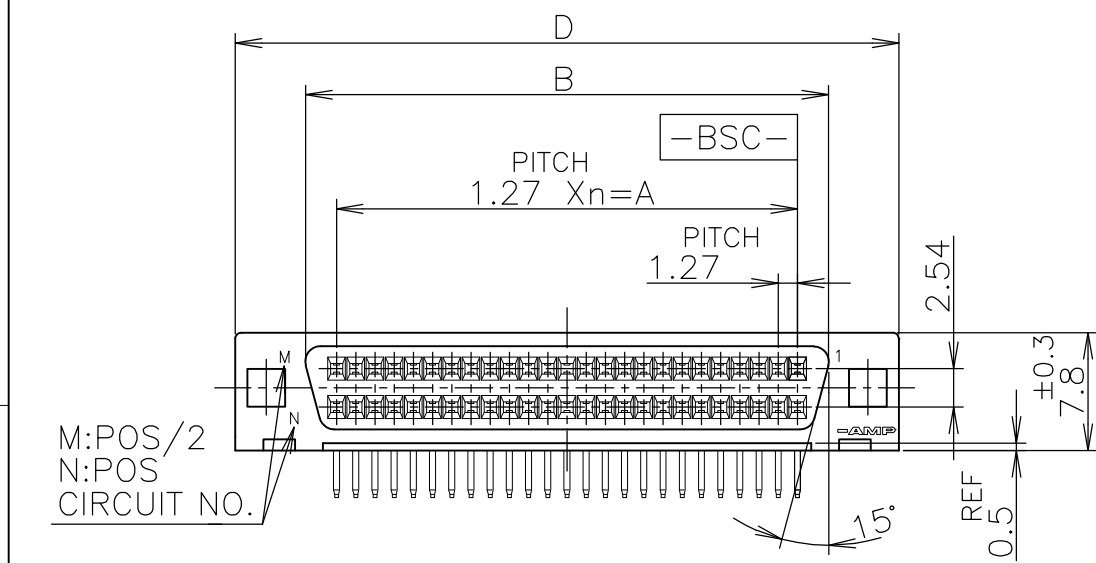
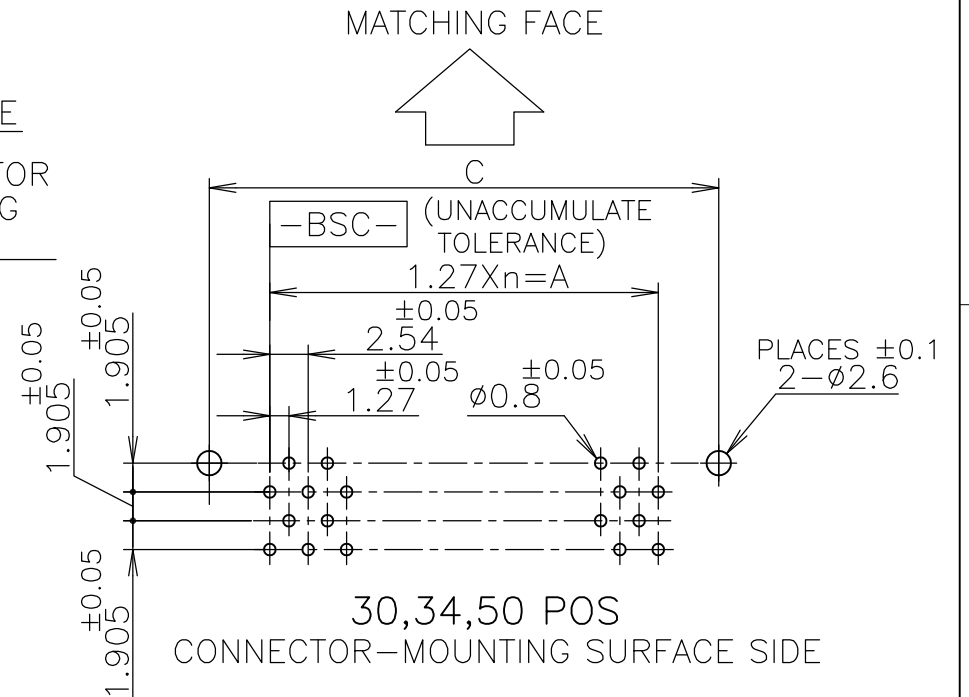
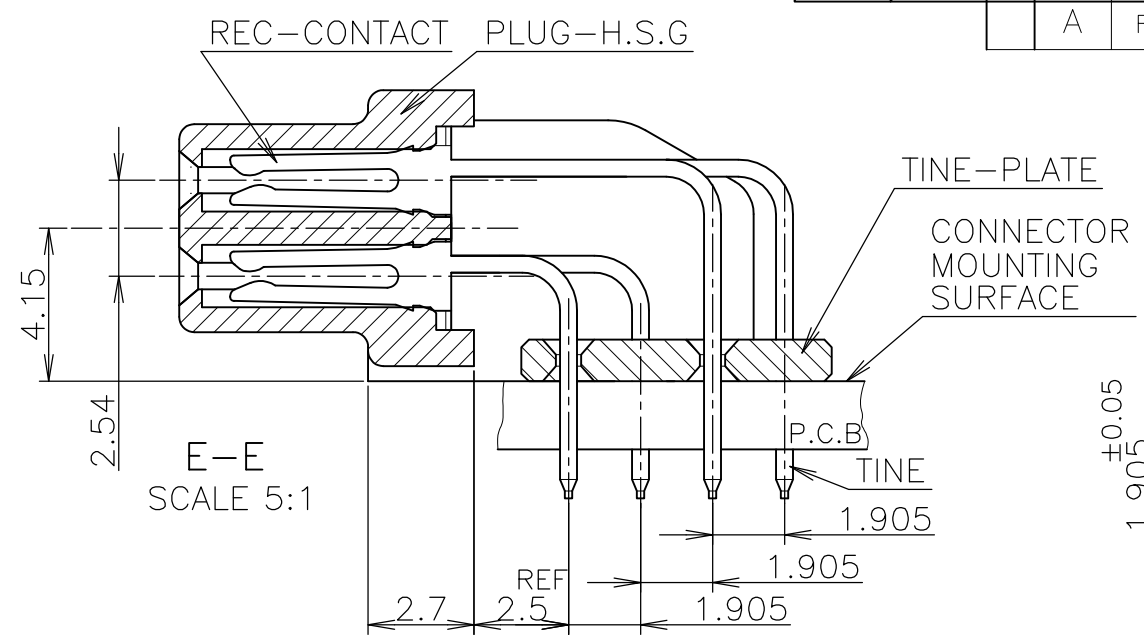
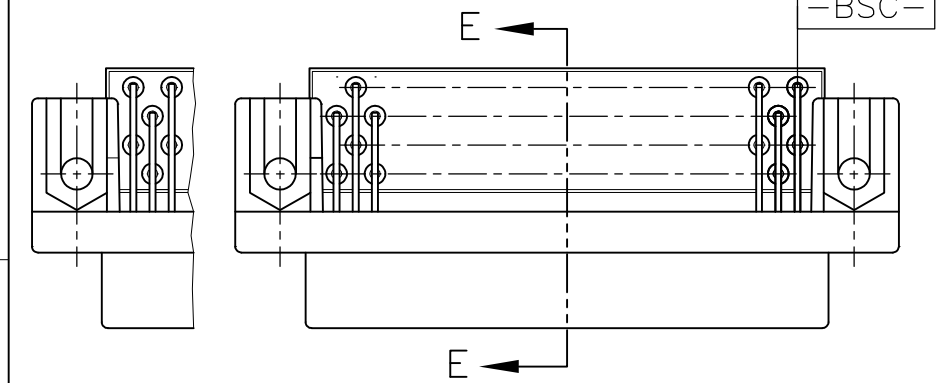


THIS DRAWING IS UNPUBLISHED. RELEASED FOR PUBLICATION AUG. 2004.  
 © COPYRIGHT 2004 BY TYCO ELECTRONICS CORPORATION. ALL RIGHTS RESERVED.

LOC	DIST	REVISIONS					
J		P	LTR	DESCRIPTION	DATE	DWN	APVD
		A		REVISED ECR-09-015031	200OCT09	A.Z	S.Y

30,34,50 POS      40,48,60,96 POS



- USE A P.C.B. WHOSE SURFACES ARE TREATED WITH SOLDER RESIST.
- SHOW P.C.B LAYOUT FROM THE CONNECTOR-MOUNTING SURFACE SIDE.
- NUMBER THE CONTACTS IN THE P.C.B OR CONNECTOR CONSECUTIVELY FROM THE -BSC- SIDE.
- WHEN SCREWING THE CONNECTOR TO THE P.C.B, USE M2 SCREW, NUT AND WASHERS.
- HOUSING MATERIAL : GLASS 20% FILLED P.B.T RESIN (UL94-V0). COLOR:BLACK
- CONTACT MATERIAL : PHOSPHOR BRONZE.
- FINISH : NICKEL 0.00127 MIN THK OVERALL SELECTIVE GOLD 0.0002 MIN THK ON CONTACT AREA AND TIN 0.001MIN THK ON TINE AREA.

	-8	96	47	59.61	63.86	67.09	73.09
	-6	48	23	29.21	33.38	36.61	42.61
	-5	34	16	20.32	24.49	27.72	33.72
	-4	60	29	36.83	41.00	44.23	50.23
	-3	50	24	30.48	34.65	37.88	43.88
	-2	40	19	24.13	28.30	31.53	37.53
5173277-1	30	14	17.78	21.95	25.18	31.18	
P/N	POS	n	A	B	C	D	

LEAD FREE

GENERAL TOLERANCE

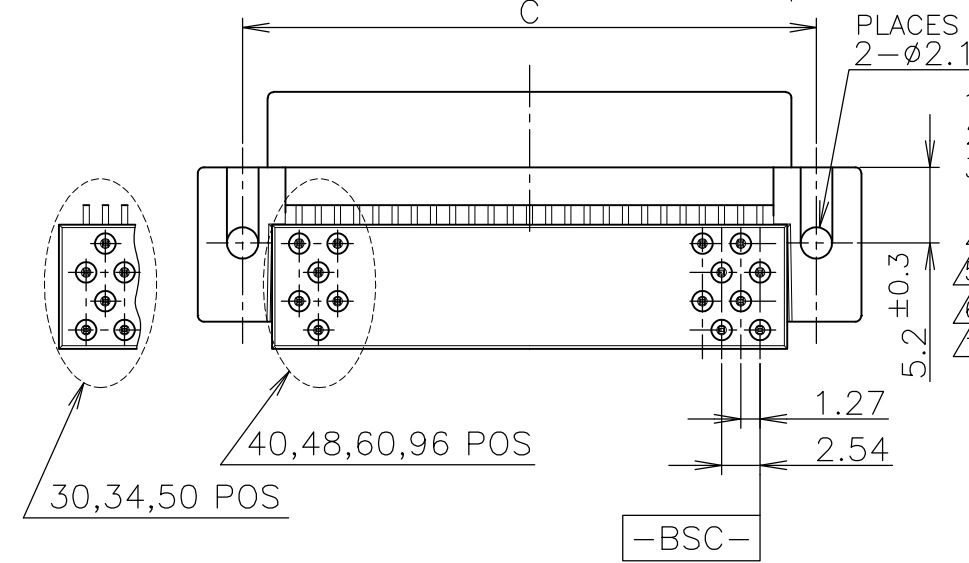
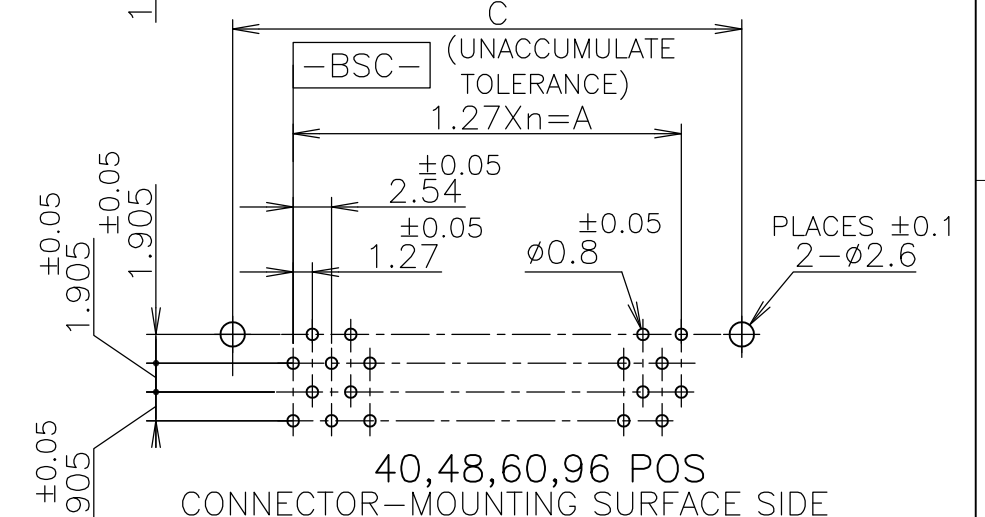
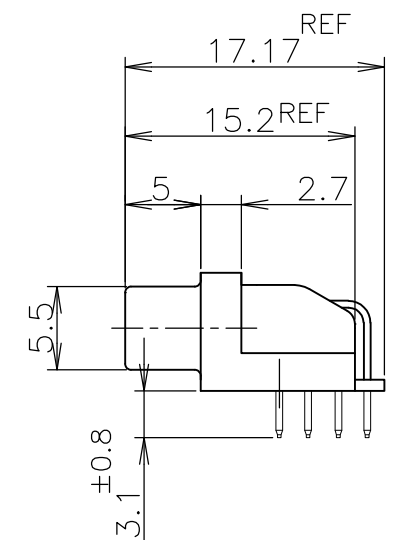
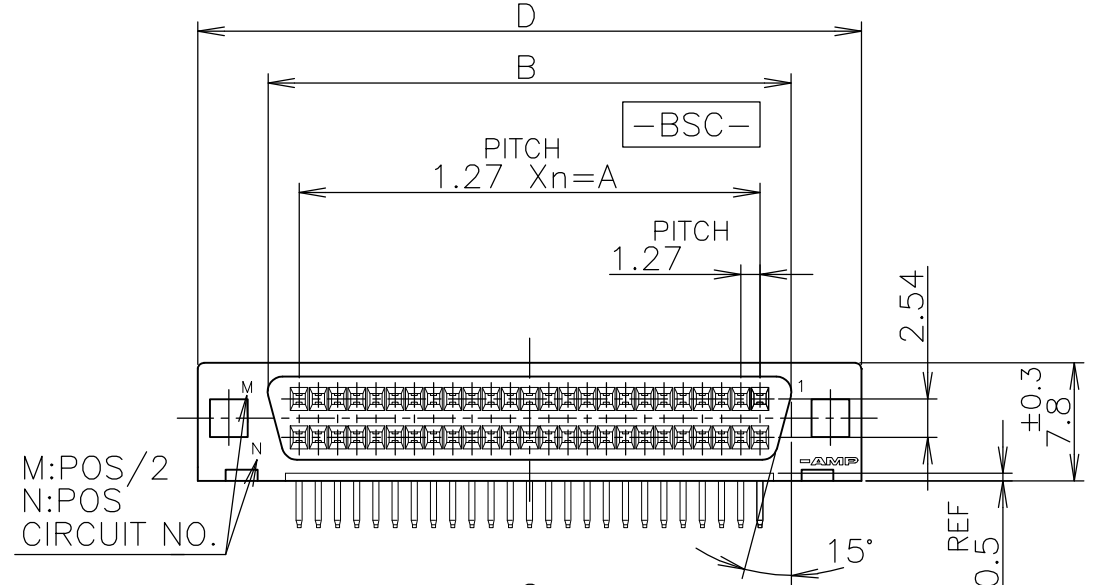
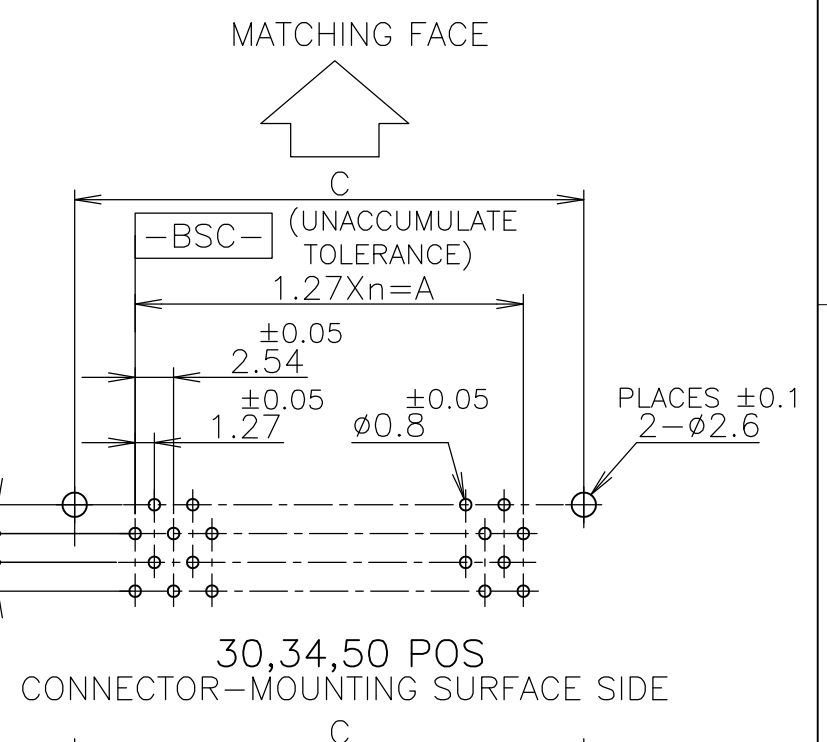
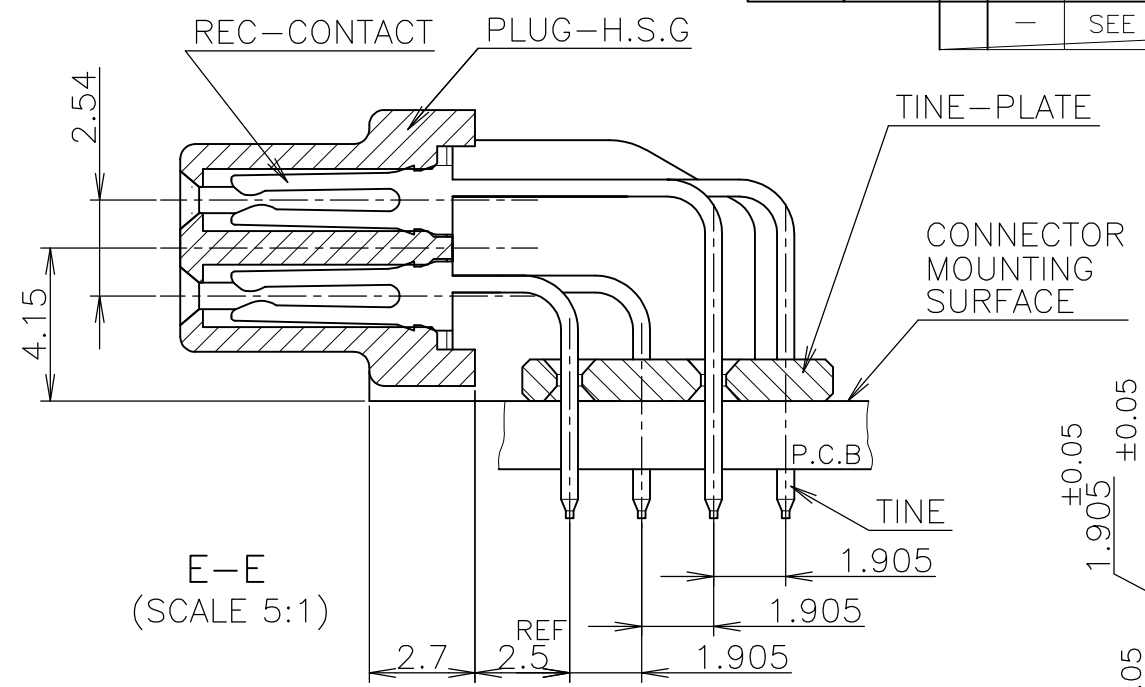
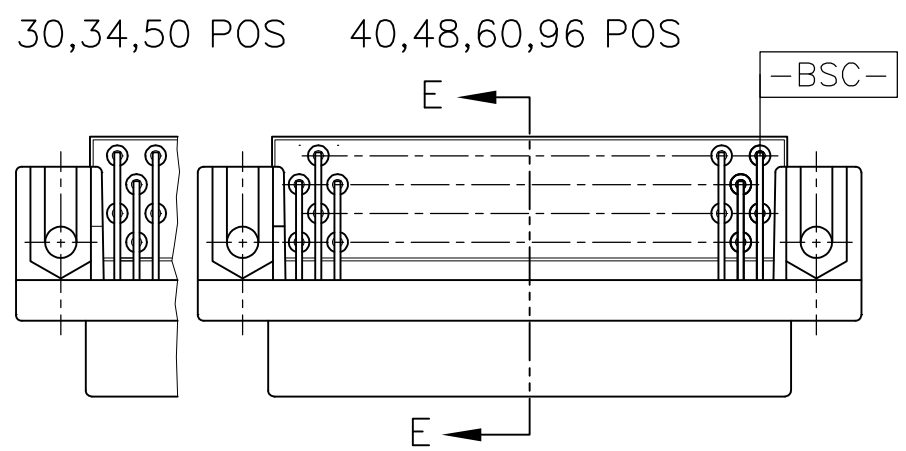
10 ≥	±0.2
30 ≥ > 10	±0.25
100 ≥ > 30	±0.3
ANGLES	±3°

THIS DRAWING IS A CONTROLLED DOCUMENT.

DIMENSIONS: MM	TOLERANCES UNLESS OTHERWISE SPECIFIED:	DWN COREL WANG 20AUG04	Tyco Electronics Tyco Electronics Kawasaki, Japan
		CHK STEVEN YAO 23AUG04	
		APVD I.ENOMOTO 23AUG04	NAME
			PLUG ASSY HORIZONTAL AMPLIMITE .050 SERIES I B-TO-B CONN.
			SIZE CAGE CODE DRAWING NO RESTRICTED TO
			A3 00779 C-5173277
			CUSTOMER DRAWING SCALE 2:1 SHEET 1 OF 2 REV A

THIS DRAWING IS UNPUBLISHED. RELEASED FOR PUBLICATION AUG. 2004.  
 © COPYRIGHT 2004 BY TYCO ELECTRONICS CORPORATION. ALL RIGHTS RESERVED.

LOC	DIST	REVISIONS					
J	/	P	LTR	DESCRIPTION	DATE	DWN	APVD
		-	-	SEE SHEET SHEET 1 OF 3	-	-	-



- 1 USE A P.C.B. WHOSE SURFACES ARE TREATED WITH SOLDER RESIST.
- 2 SHOW P.C.B LAYOUT FROM THE CONNECTOR-MOUNTING SURFACE SIDE.
- 3 NUMBER THE CONTACTS IN THE P.C.B OR CONNECTOR CONSECUTIVELY FROM THE [-BSC-] SIDE.
- 4 WHEN SCREWING THE CONNECTOR TO THE P.C.B, USE M2 SCREW, NUT AND WASHERS.
- 5 HOUSING MATERIAL : GLASS 20% FILLED P.B.T RESIN (UL94-V0). COLOR:BLACK
- 6 CONTACT MATERIAL : PHOSPHOR BRONZE.
- 7 FINISH : NICKEL 0.00127 MIN THK OVERALL SELECTIVE GOLD 0.00076 MIN THK ON CONTACT AREA AND TIN 0.001MIN THK ON TINE AREA.

OBS	6-	8	96	47	59.61	63.86	67.09	73.09
	6-	-6	48	23	29.21	33.38	36.61	42.61
	6-	-5	34	16	20.32	24.49	27.72	33.72
	6-	-4	60	29	36.83	41.00	44.23	50.23
	6-	-3	50	24	30.48	34.65	37.88	43.88
	6-	-2	40	19	24.13	28.30	31.53	37.53
	6-5173277-1		30	14	17.78	21.95	25.18	31.18
	P/N	POS	n	A	B	C	D	

**LEAD FREE**

GENERAL TOLERANCE

10 ≥	±0.2
30 ≥ > 10	±0.25
100 ≥ > 30	±0.3
ANGLES:	±3°

THIS DRAWING IS A CONTROLLED DOCUMENT.		DWN	-
DIMENSIONS: MM		CHK	-
TOLERANCES UNLESS OTHERWISE SPECIFIED:		APVD	-
0 PLC	± -	PRODUCT SPEC	-
1 PLC	± -	APPLICATION SPEC	-
2 PLC	± -	WEIGHT	-
3 PLC	± -		
4 PLC	± -		
ANGLES	± -		
MATERIAL	参照 5/6		
FINISH	参照 7		

Tyco Electronics		Tyco Electronics AMP K.K. Kawasaki, Japan	
NAME			
PLUG ASSY HORIZONTAL AMPLIMITE .050 SERIES I B-TO-B CONN.			
SIZE	CAGE CODE	DRAWING NO	RESTRICTED TO
A3	00779	C-5173277	-
CUSTOMER DRAWING		SCALE	SHEET
		2:1	2 OF 2
		REV	A