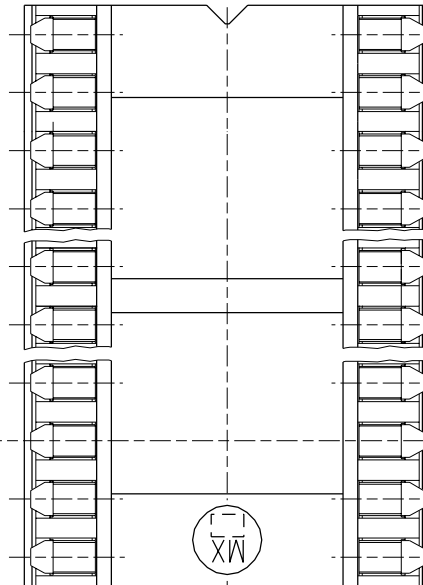
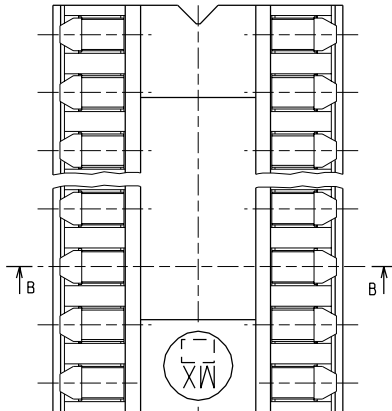
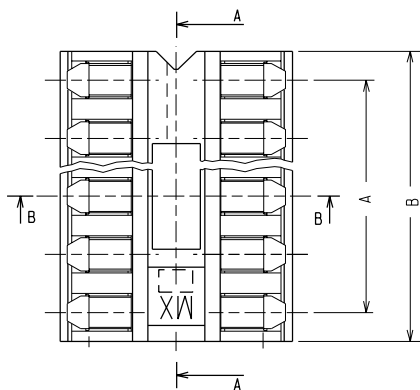
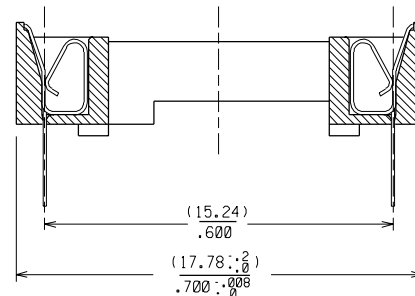
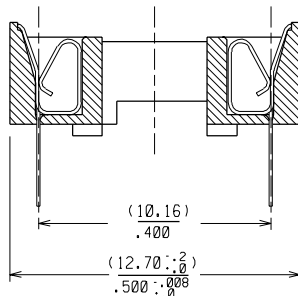
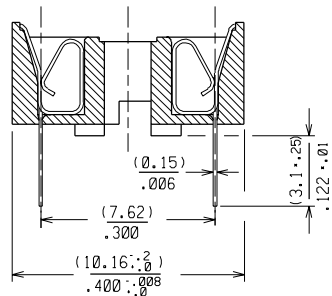


STYLE 1

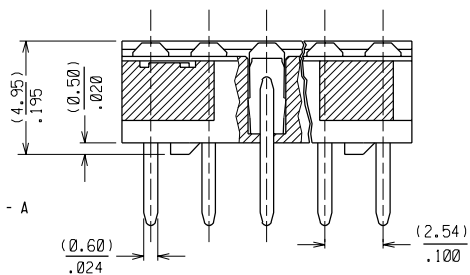
STYLE 2

STYLE 3

SECTION B - B

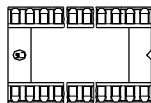


SECTION A - A



STYLE 4

AS STYLE 3
CENTRAL RIB REMOVED



3	D1
2	D1
1	D1
SH.	REV.

D	ECN Z1-013 18-01-91
C	ECN Z1-010 17-01-91
B	ECN Z0-003 09-01-90
A	ECN Z9-054 28-11-89 (ALL SHEETS REDRAWN)

DIMENSIONS SHOWN (METRIC) INCH	
UNLESS OTHERWISE SPECIFIED TOLERANCES ANGULAR	
INCH	(METRIC)
3 PLACE :	
2 PLACE :	: 0.1
1 PLACE :	: 0.2
DESIGN DIMENSION (PRIMARY)	<input type="checkbox"/> (MM) <input type="checkbox"/> IN
EQUIVALENT DIMENSION (SECONDARY)	<input type="checkbox"/> (MM) <input checked="" type="checkbox"/> IN.

DRWG BY	F. GOTTARDO
CHK'D BY	
APP'D BY	M. PREVIATO
SCALE	5:1

REVISE ONLY ON CAD SYSTEM	
CAD/CAM FILENAME 42000005.DGN	THIS DRAWING CONTAINS INFORMATION THAT IS PROPRIETARY TO MOLEX INC AND SHOULD NOT BE USED WITHOUT WRITTEN PERMISSION
TITLE LOW PROFILE I.C. SOCKET 42000 SERIES	
MOLEX MOLEX INCORPORATED	SHEET NO. DATE 1/3 27-11-89
PART NO. SEE CHART	DWG NO. SDA 42000 - XXXX
	SIZE B

P/N	CKTS	STYLE	DIMENSIONS	
			A $\begin{matrix} (-0.1) \\ .004 \end{matrix}$	B $\begin{matrix} (-0.2) \\ .008 \\ .0 \end{matrix}$
42000 - 061*	06	1	$\frac{(5.08)}{.200}$	$\frac{(7.62)}{.300}$
42000 - 081*	08	1	$\frac{(7.62)}{.300}$	$\frac{(10.16)}{.400}$
42000 - 141*	14	1	$\frac{(15.24)}{.600}$	$\frac{(17.78)}{.700}$
42000 - 161*	16	1	$\frac{(17.78)}{.700}$	$\frac{(20.32)}{.800}$
42000 - 181*	18	1	$\frac{(20.32)}{.800}$	$\frac{(22.86)}{.900}$
42000 - 201*	20	1	$\frac{(22.86)}{.900}$	$\frac{(25.40)}{1.000}$
42000 - 222*	22	2	$\frac{(25.40)}{1.000}$	$\frac{(27.94)}{1.100}$
42000 - 243*	24	3	$\frac{(27.94)}{1.100}$	$\frac{(30.48)}{1.200}$
42000 - 283*	28	3	$\frac{(33.02)}{1.300}$	$\frac{(35.56)}{1.400}$
42000 - 284*	28	4	$\frac{(33.02)}{1.300}$	$\frac{(35.56)}{1.400}$
42000 - 323*	32	3	$\frac{(38.10)}{1.500}$	$\frac{(40.64)}{1.600}$
42000 - 403*	40	3	$\frac{(48.26)}{1.900}$	$\frac{(50.80)}{2.000}$
42000 - 404*	40	4	$\frac{(48.26)}{1.900}$	$\frac{(50.80)}{2.000}$

PART NO LEGEND

42000 - x x x x

CKT SIZE

STYLE

TERMINAL MAT'L AND PLATING:

0
2

MATERIAL

HOUSING: BLACK PBT, 30% G.F., UL 94 V0

TERMINAL: 0 = PHOSPOR BRONZE TIN PRE-PLATED
2 = BE CU TIN PRE-PLATED

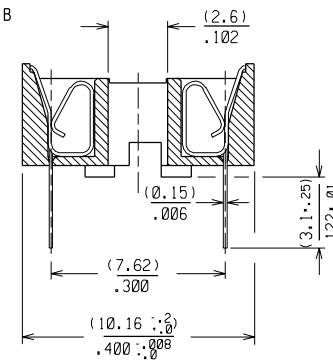
SEE SHEET 1	SEE SHEET 1	REVISIONS	DIMENSIONS SHOWN (METRIC) INCH		DRWG BY	REVISE ONLY ON CAD SYSTEM		SH.	REV.
			UNLESS OTHERWISE SPECIFIED TOLERANCES ANGULAR :		F. COTTARDO	CAD/CAM FILENAME	THIS DRAWING CONTAINS INFORMATION THAT IS PROPRIETARY TO MOLEX INC AND SHOULD NOT BE USED WITHOUT WRITTEN PERMISSION		
			INCH (METRIC)		CHK'D BY	TITLE			
			3 PLACE :			LOW PROFILE I.C. SOCKET			
			2 PLACE :	: 0.1		42000 SERIES			
			1 PLACE :	: 0.2					
			DESIGN DIMENSION (PRIMARY) <input type="checkbox"/> (MM) <input type="checkbox"/> IN		APP'D BY	MOLEX MOLEX INCORPORATED		SHEET NO.	DATE
			EQUIVALENT DIMENSION (SECONDARY) <input type="checkbox"/> (MM) <input type="checkbox"/> IN.		M. PREVIAATO			2/3	27-11-89
			SCALE			PART NO.		DWG NO.	SIZE
			/			SEE CHART		SDA 42000 - XXXX	B

P/N	CKTS	STYLE	DIMENSIONS	
			A	B
42000 - 1450	14	5	$\frac{(15.24)}{.600}$	$\frac{(17.78)}{.700}$
42000 - 1650	16	5	$\frac{(17.78)}{.700}$	$\frac{(20.32)}{.800}$
42000 - 1850	18	5	$\frac{(20.32)}{.800}$	$\frac{(22.86)}{.900}$
42000 - 2050	20	5	$\frac{(22.86)}{.900}$	$\frac{(25.40)}{1.000}$

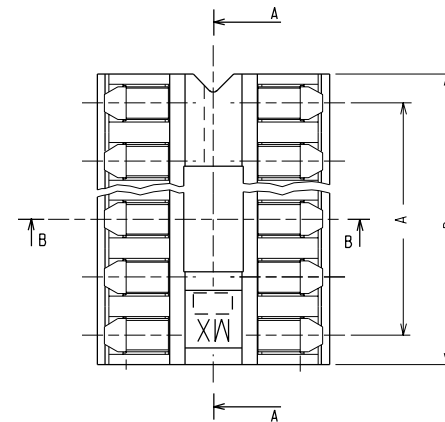
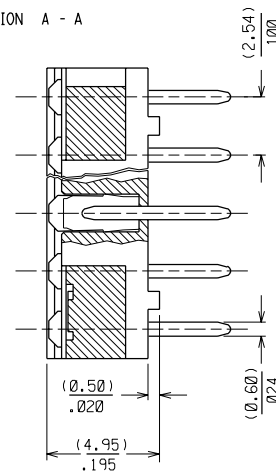
VERSIONS TOOLED BY MX-TAIWAN ONLY.

STYLE 5

SECTION B - B



SECTION A - A



SEE SHEET I	SEE SHEET I	SEE SHEET I
D	C	A

REVISIONS	DIMENSIONS SHOWN (METRIC) INCH	
	INCH	(METRIC)
3 PLACE :		
2 PLACE :		± 0.1
1 PLACE :		± 0.2
DESIGN DIMENSION (PRIMARY)	<input checked="" type="checkbox"/> (MM)	<input type="checkbox"/> IN
EQUIVALENT DIMENSION (SECONDARY)	<input type="checkbox"/> (MM)	<input checked="" type="checkbox"/> IN.

DRWG BY	F. GOTTARDO
CHK'D BY	
APP'D BY	M. PREVIATO
SCALE	5:1

REVISE ONLY ON CAD SYSTEM		SH.	REV.
CAD/CAM FILENAME	4200000S.DGN	THIS DRAWING CONTAINS INFORMATION THAT IS PROPRIETARY TO MOLEX INC AND SHOULD NOT BE USED WITHOUT WRITTEN PERMISSION	
TITLE			
LOW PROFILE I.C. SOCKET			
42000 SERIES			
MOLEX	MOLEX INCORPORATED	SHEET NO.	DATE
		3/3	27-11-89
PART NO.	SEE CHART	DWG NO.	SDA 42000 - XXXX
		SIZE	B