



4018-[*]-[]** Female metal face

4018-[*]-PL Female low profile metal face

*Number of contacts; Options are:
9, 15, 25, 37

**Mounting style; Options are:
A = Thru hole
T = 4-40 flush inserts
PL = Plastic low profile strain relief
(All includes strain reliefs)

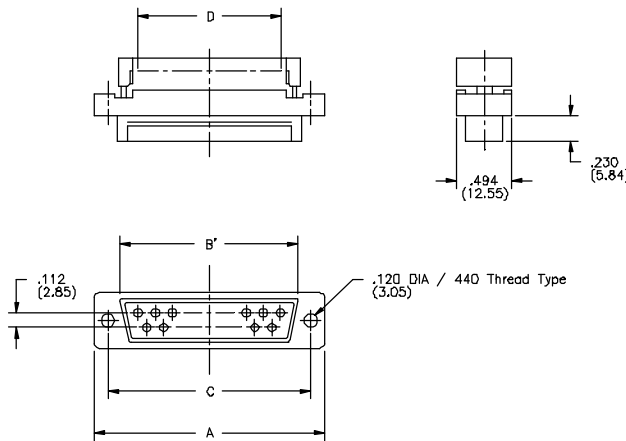
ELECTRICAL:

- Current rating: 1 AMP maximum
- Temperature: -55°C to 105°C
- Insulation resistance: 1000 Megohms minimum
- Contact resistance: 10 milliohms maximum

MATERIAL:

- Shell : Bright tin plate
- Insulators: UL94V-0 / PBT glass filled
- Color: Black
- Contacts: Pin = Brass Socket = Phosphor bronze
- Plating: 6u" Gold over nickel

4018-[*]-[]**



45.72 1.80	63.50 2.50	69.31 2.73	54.76 2.16	C 37
30.48 1.20	47.04 1.85	53.04 2.09	38.30 1.51	B 25
17.78 0.70	33.32 1.31	39.14 1.54	24.58 0.97	A 15
10.16 0.40	24.99 0.98	30.81 1.21	16.25 0.64	E 9
D	C	A	B'	SHELL SIZE CONTACTS

4018-[*]-PL

