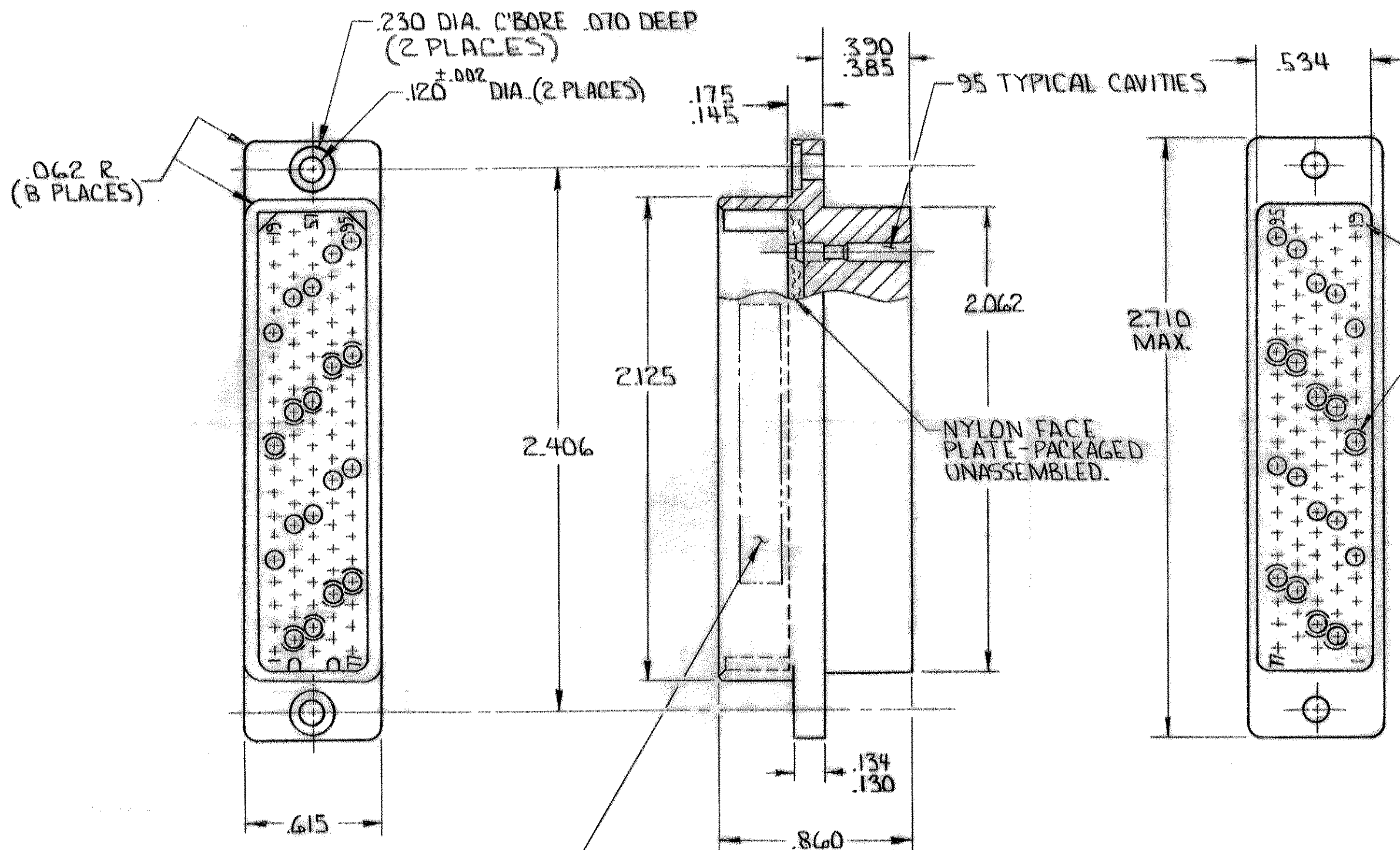


© 1971 BY AMP INCORPORATED. ALL RIGHTS RESERVED. AMP PRODUCTS COVERED BY PATENTS AND/OR PATENTS PENDING.

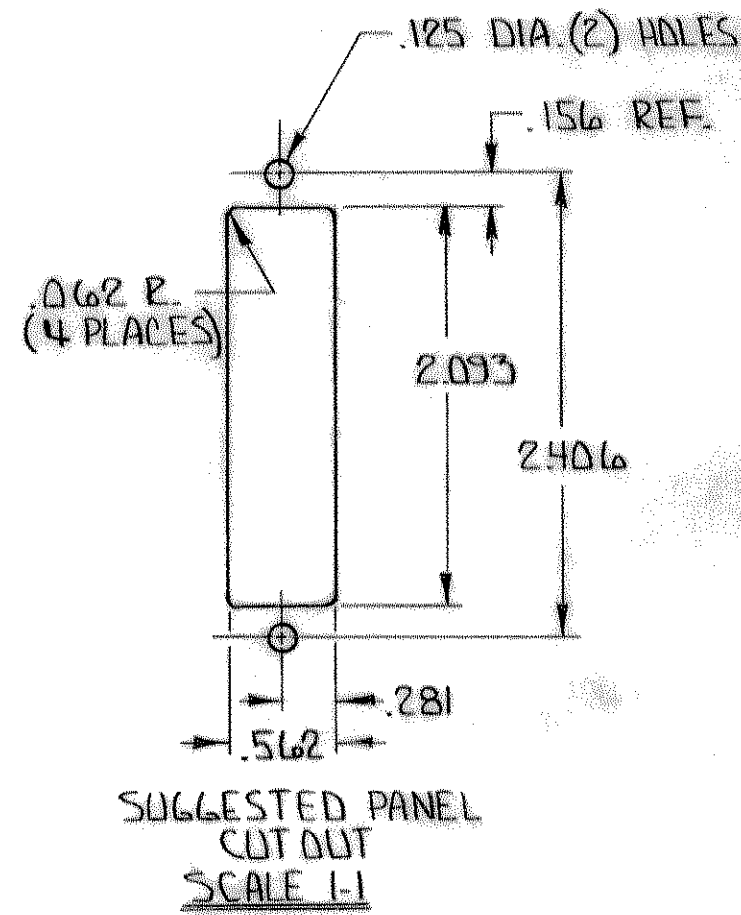
REVISIONS				
ZONE	LTR	DESCRIPTION	DATE	APPROVED
	Q	RELEASED WAS 5041-408 CDST.	5/5/71	
	A	REV. PER ECN K.035	3-4-83	gpl/Lbx
	B	REV PER 0630-270-01	8-02	CT

205480-1 I.A.S SHOWN

Unpublished copy not to be reproduced nor distributed without written permission of Amp Incorporated



NUMERAL CHARACTERS (.040 MIN.) MARKED AS SHOWN WITH PARENTHESES AROUND EVERY 10TH CAVITY. (BOTH FACES AS SHOWN)



"AMP" PART NO. & DATE CODE MARKED ON EITHER SIDE

NUMBER 205480

UNLESS OTHERWISE SPECIFIED DIMENSIONS ARE IN INCHES TOLERANCES ON : DECIMALS ± .005 ANGLES ±	CONTRACT NO.		AMP AMP INCORPORATED HARRISBURG, PENNSYLVANIA	
	DR <i>Asplund</i> 5/5/71	NAME		
	CHK <i>Atmills</i> 5/11/71	RECEPTACLE ASSEMBLY 95 POSITION-HDR		
	APPD <i>Klonek</i> 5/10/71	SIZE	CODE IDENT NO.	NUMBER
	REL <i>R. Jones</i> 5/10/71	C	00779	205480
MATERIAL DIALYL PHTHALATE PER MIL-M-14, TYPE SD6-F	DSGN APPD	OTHER APPD	SCALE	SHEET 1 OF 1

CUSTOMER DRAWING