

4

3

2

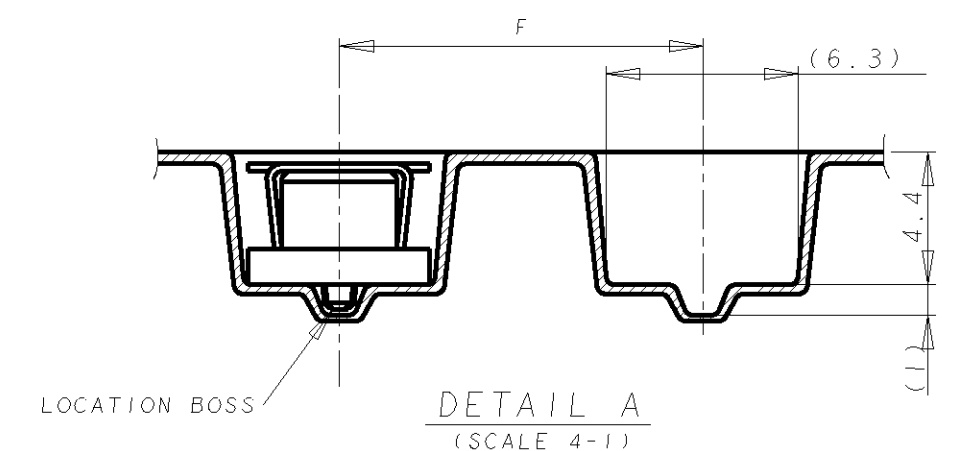
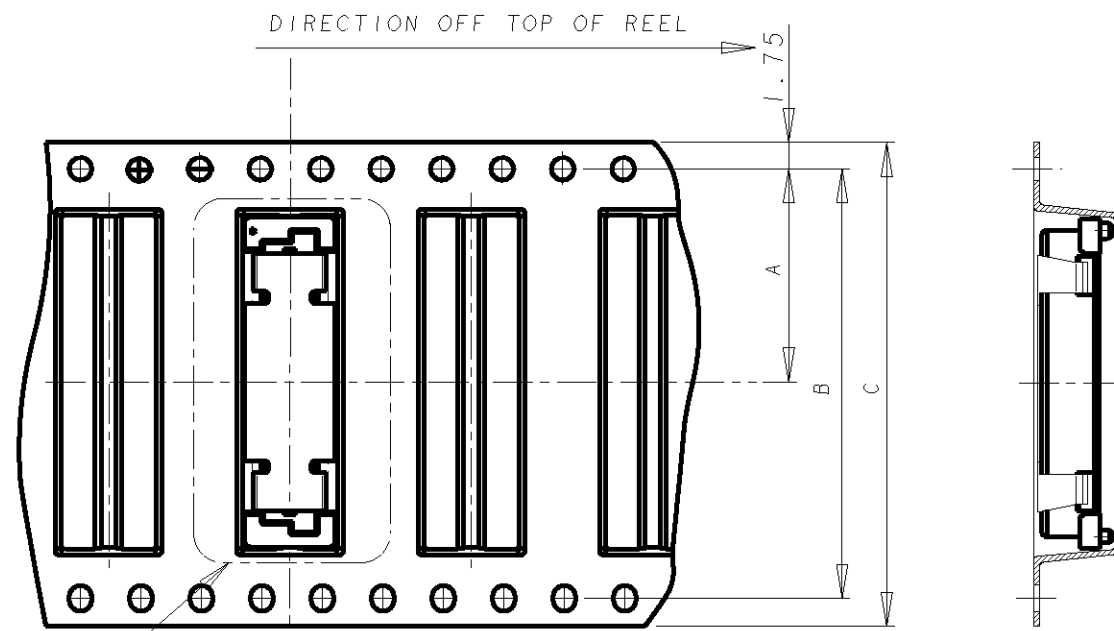
1

THIS DRAWING IS UNPUBLISHED. RELEASED FOR PUBLICATION .19
 BY AMP INCORPORATED. ALL RIGHTS RESERVED.

LOC	DIST	REVISIONS					
		P	LTR	DESCRIPTION	DATE	DWN	APVD
DY	-	KI		REVISED PER ECR-08-005089	27FEB2008	SYJ	LSF

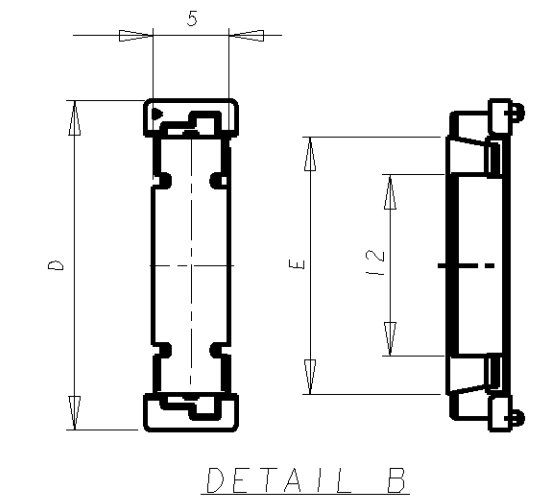
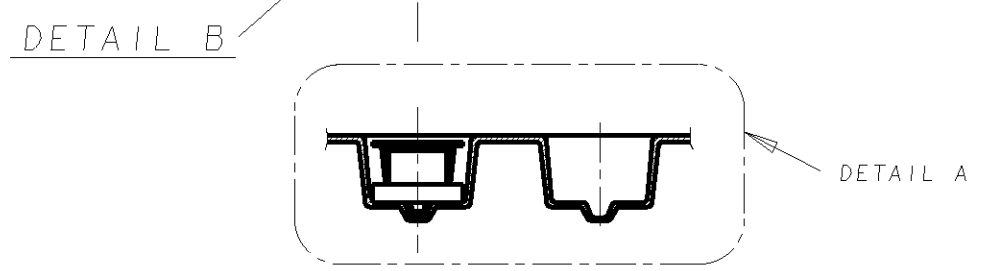
D

D



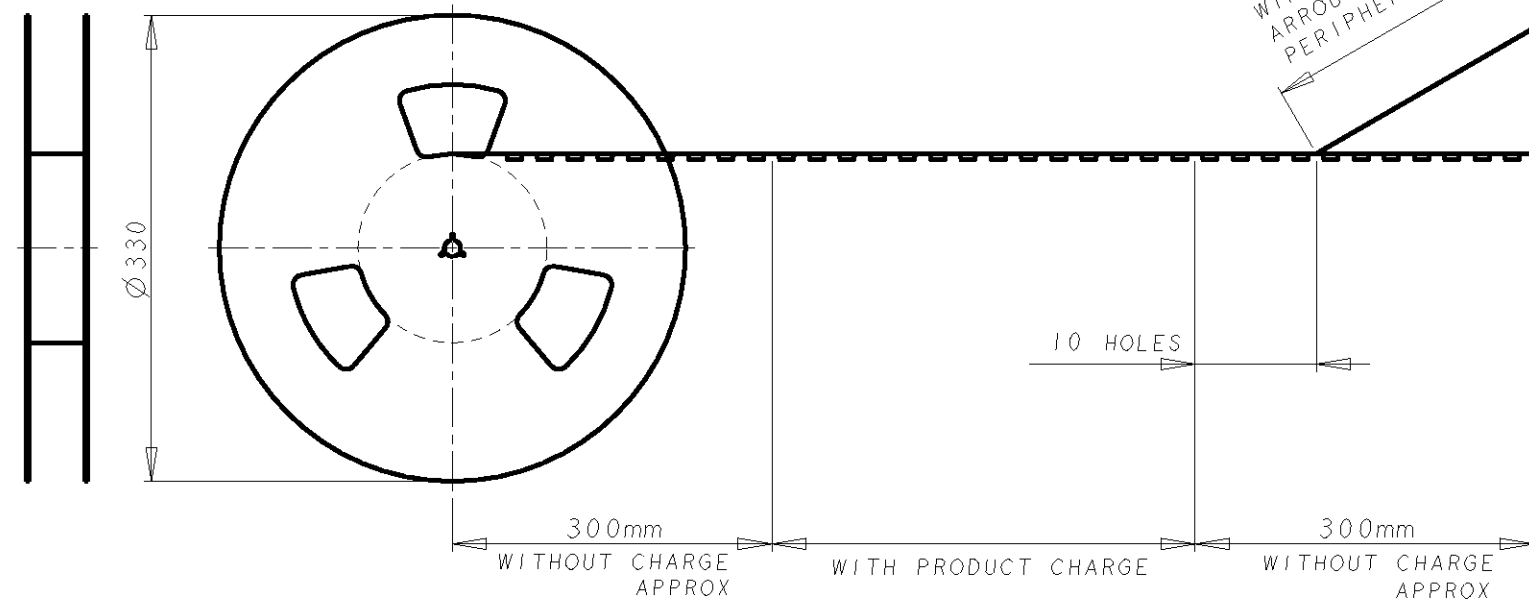
C

C



B

B



			85.8	104	100.4	50.2	200	1-	-0	1-	-0
			77.8	104	100.4	50.2	180		-9		-9
			69.8	88	84.4	42.2	160		-8		-8
			61.8	88	84.4	42.2	140		-6		-6
			53.8	72	68.4	34.2	120		-5		-5
700	16		45.8	72	68.4	34.2	100		-4		-4
			37.8	56	52.4	26.2	80		-3		-3
			29.8	44	40.4	20.2	60		-2		-2
1000	12	17	21.8	32	28.4	14.2	40	177983-1		177985-1	
QTY	F	E	D	C	B	A	POS	CONN P/N	PART NO.		

A

A

THIS DRAWING IS A CONTROLLED DOCUMENT FOR AMP INCORPORATED. IT IS SUBJECT TO CHANGE AND THE CONTROLLING ENGINEERING ORGANIZATION SHOULD BE CONTACTED FOR THE LATEST REVISION.

DIMENSIONS: mm	TOLERANCES UNLESS OTHERWISE SPECIFIED: 0 PLC ±.30 1 PLC ±.25 2 PLC ±.20 3 PLC ±.20 4 PLC ±.20 ANGLES ±3°	DWN T. KUSUHARA 8FEB93	Tyco Electronics Singapore
MATERIAL	FINISH	CHK I. ENOMOTO	
		APVD Y. YOSHIMURA	NAME RECEPTACLE ASSEMBLY 5H TYPE (0.5 BOSS LENGTH) FOR FH 0.8 B-T-B CONN, ON TAPING.
		PRODUCT SPEC 108-5390	SIZE A3
		APPLICATION SPEC 114-5254	CAGE CODE 00779
		WEIGHT -	DRAWING NO 177985
		CUSTOMER DRAWING	SCALE 2:1
			SHEET 1 OF 1
			REV KI