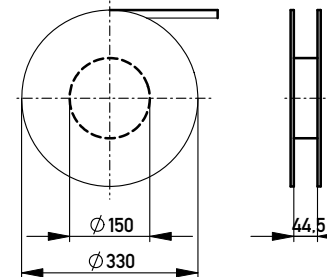
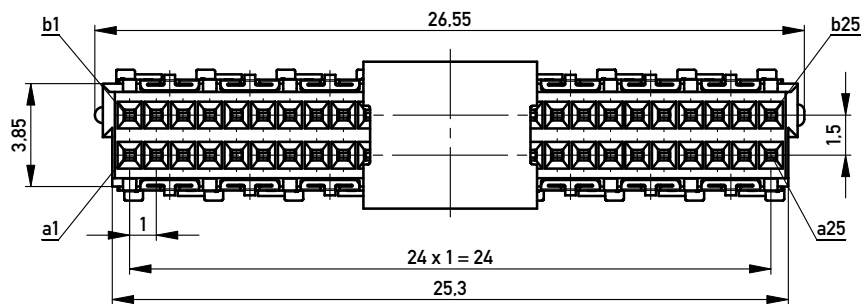
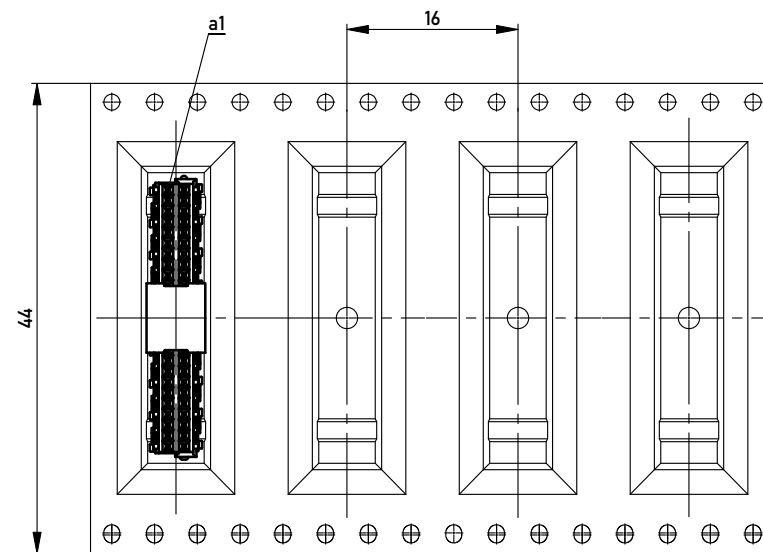


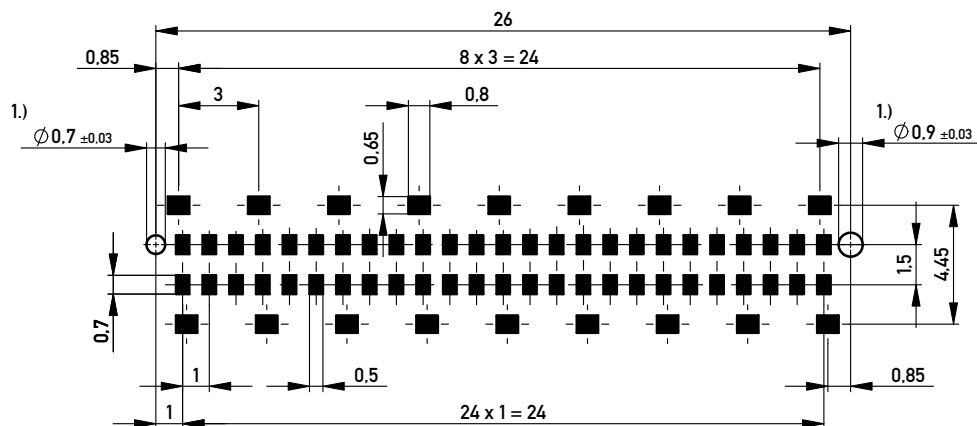
Verpackt in Gurtverpackung - Tape on Reel Packaging
 Verpackungseinheit: 400 Stück - Packaging unit: 400 pcs



Abspulrichtung - Reel off Direction →



Leiterplatten-Layout Vorschlag / PCB-Layout Proposal



Anforderungsstufe 1
 Performance Level 1

Kontaktbereich vergoldet
 Mating Area gold plating

Anschlussbereich verzinkt 4-6µm
 Terminal Area 4-6µm tin plating

Koplanarität der Anschlüsse ≤ 0,1mm
 Coplanarity Area of Termination ≤ 0,1mm

1.) Durchmesser des Bohrers / Drill tool

Information:	Tolerances	 All Dimensions in mm	Scale	5:1
	All rights reserved. Only for Information. To ensure that this is the latest version of this drawing, please contact one of the ERNI companies before using.		Designation Federleiste 4mm SMD, 50 polig Female 4mm SMD, 50 contacts	
Subject to modification without prior notice. Drawing will not be updated.			www.ERNI.com	
h	21.09.2010	144662		I
Index	Date	Class MSPEED		A3

Copyright by ERNI GmbH. Proprietary notice pursuant to ISO 16106 to be observed.