

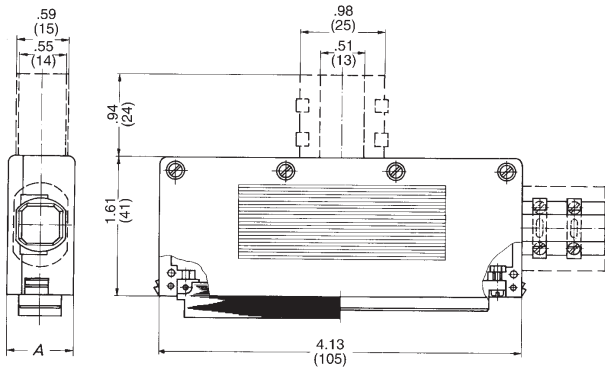
**Cable Housing**

**For Type C, R, D, F —  
For Female and Male  
Connectors With Straight  
Terminations**

**Cable Exits**

Cable exit, 2 round cable exits, to accept one cable of 11 mm  $\varnothing$  (.433"  $\varnothing$ )

Cable Support: The flange is provided with two cable clamps.



**Part Numbers**

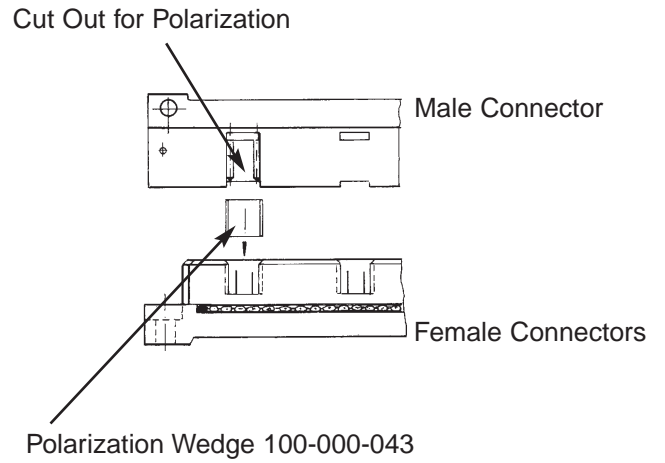
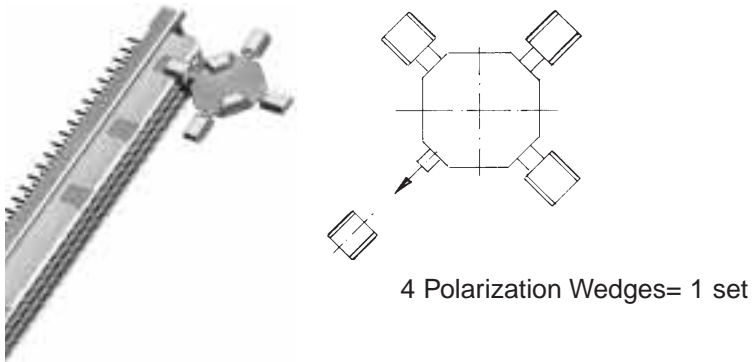
Style	Cable Housing for Connectors			
	C,R,D	Dim./ A [mm]	F	Dim./ A [mm]
	100-000-001	.59 (15 mm)	101-000-001*	.75 (19 mm)
	100-000-002		101-000-002*	



**Part Numbers**

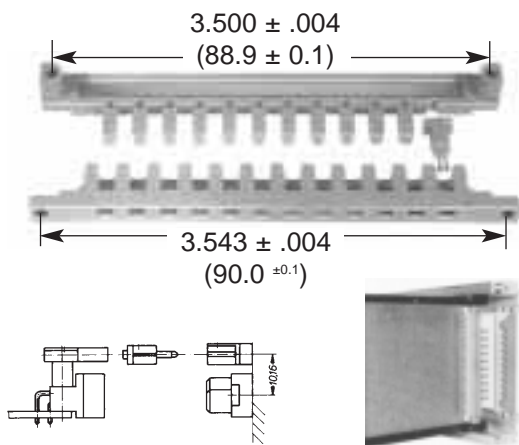
Snap Wedges M and F for Male and Female Connectors		Part Numbers	Packaging Unit
		100-000-008	1 Set

**Accessories**



**Polarization Wedge**

Polarization Wedge	Packaging Unit
100-000-043	25 Sets



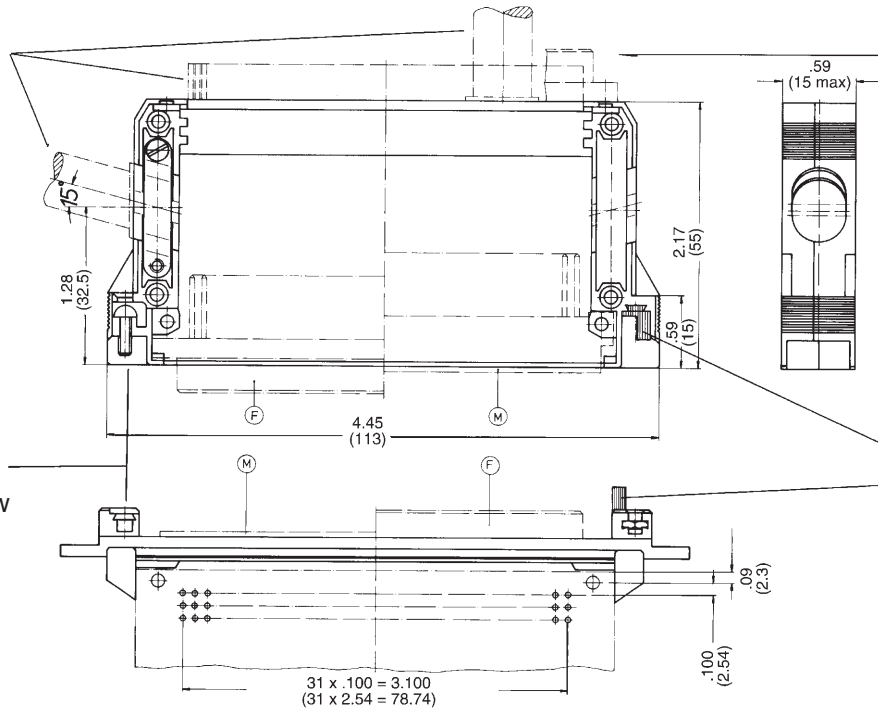
**Coding Comb set for type B, C, D, F, AND R**

Polarization Wedge	Packaging Unit	Raw Material	Color
100-000-026	10 Sets	Glass Filled Polycarbonate	Red

**Interface System**

**Connector Housing for Type C and D**

Cable exit  
 ∅ .43 (∅ 11 mm)  
 3 round cable exits,  
 1 flat cable exit



Mounting method  
 for female  
 connectors

Locking mechanism  
 The mated housing  
 is secured by a screw  
 locking mechanism

Polarization  
 by insertable  
 wedges

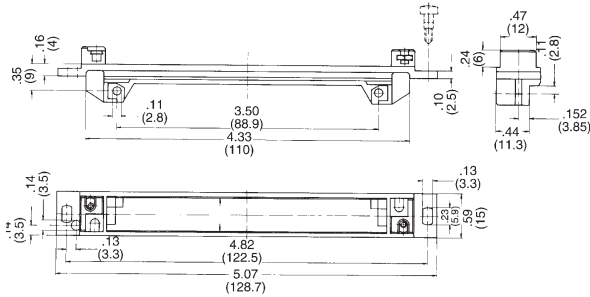
**F = Female Connector / M = Male Connector**

**Part Number**

Connector Housing	Packaging unit		
100-000-064	1 Set		
Round Cable Insert	Packaging unit		
100-000-071	10 Sets		
Strain Relief	Packaging Unit		
100-000-072	10 Sets		

**Interface System**

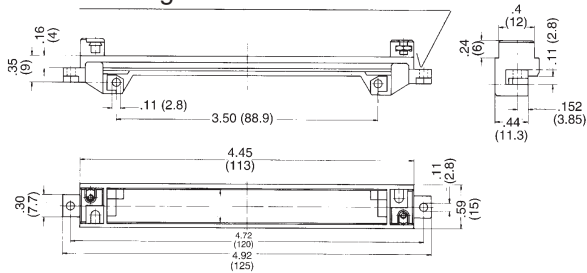
**Guide-Frame for Special Applications, Converter Frame for Type C and D**



**Part Number**

Guide Frame	Packaging Unit
100-000-065	10 Sets
Pieces Per Set	1 Guide Frame
	2-Head Screws / M 2.5 x 13 DIN

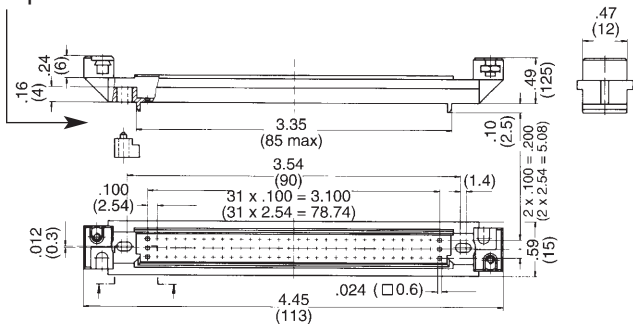
**Mounting Level**



**Part Number**

Frame for Special Applications	Packaging Unit
100-000-066	10 Sets
Pieces Per Set	1 Frame for Special Applications
	2-Head Screws / M 2.5 x 13 DIN

**Spacer**

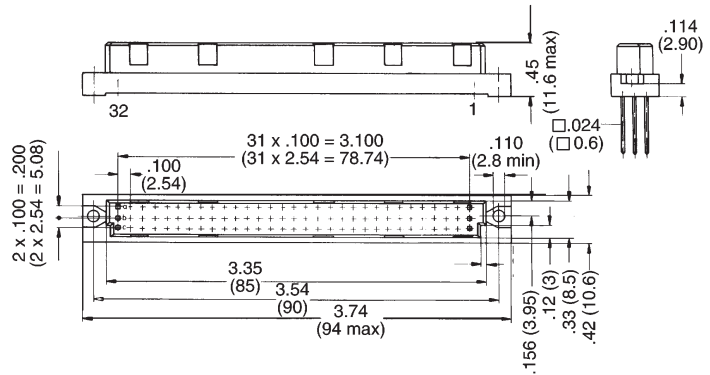
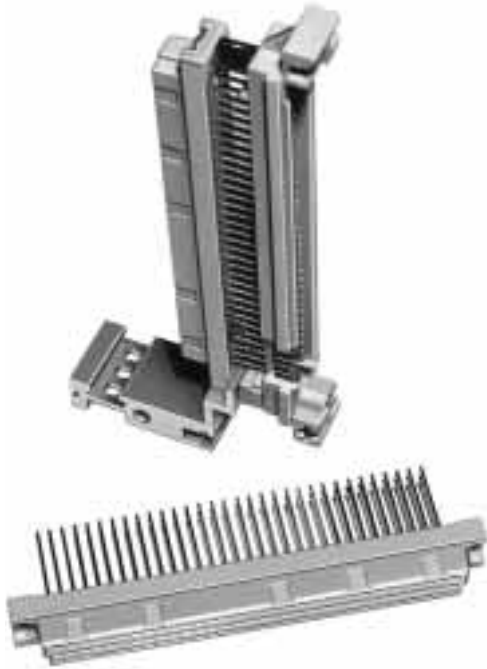


**Part Number**

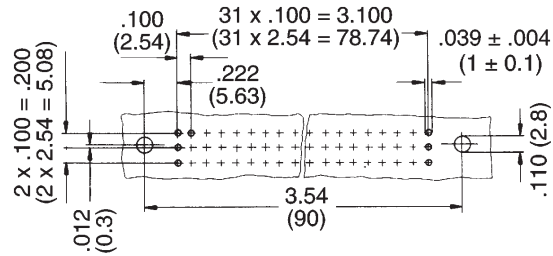
Converter Frame, Type C	Packaging Unit
100-000-067	10 Sets
Pieces Per Set	1 Converter Frame
	2 Spacer .157 (4mm)
	2 Spacer .197 (5mm)
	2 Hexagonal Nuts

**Interface System  
Type C,  
Series 100S**

**96 contact female  
connectors acc. to DIN  
41612 -  
with gold plated tips for  
interface connections**



**Printed Circuit Layout**



**Part Numbers**

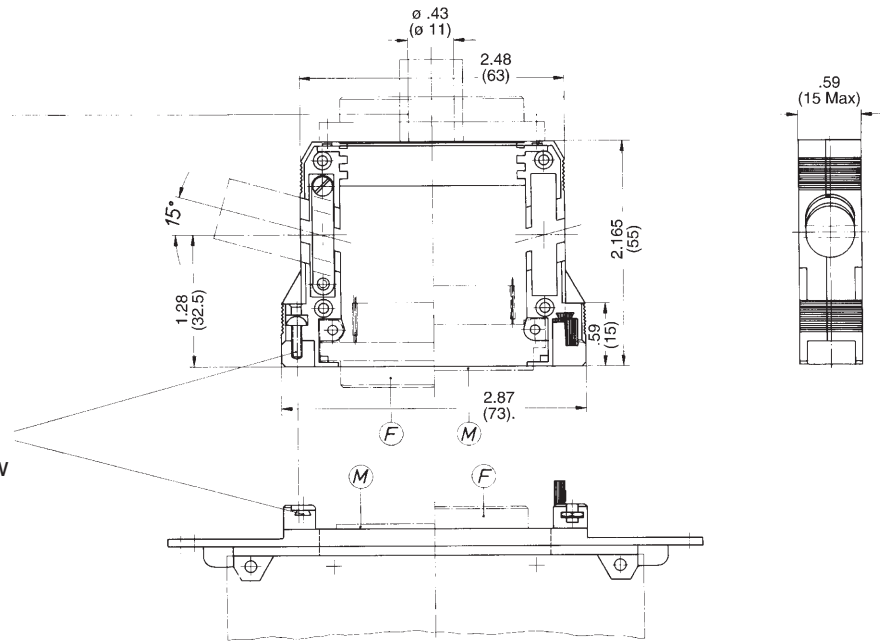
No. of Contacts	Contact Arrangement	Performance Level	Termination Method	
96	Fully Equipped	2	100-096S431*	100-096S439*

\* Please contact factory for availability.

**Interface System**

**Connector Housing for Type 1/2 C**

Cable exit  
 ø 11 mm  
 3 round cable exits,  
 1 flat cable exit



Locking mechanism  
 The mated housing  
 is secured by a screw  
 locking mechanism

**F = Female Connector / M = Male Connector**

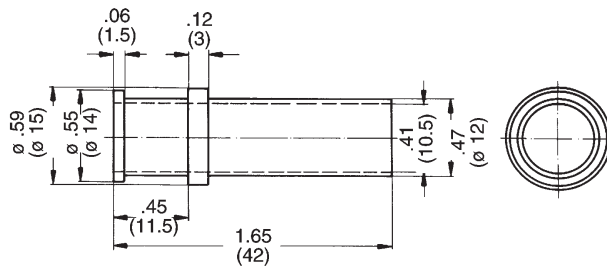
**Part Number**

Connector Housing	Packaging unit		
100-000-012	1 Set		

**Accessories**



**Cable Bushing**



**Part Number**

Cable Bushing	Packaging Unit
100-000-014	10 Pieces