

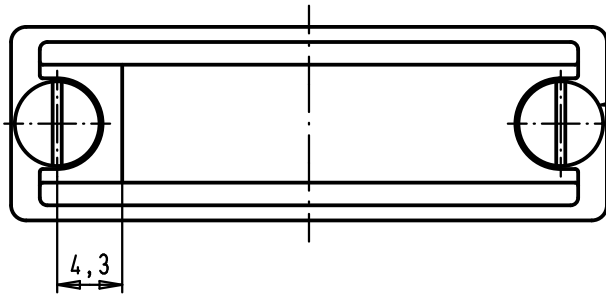
5

4

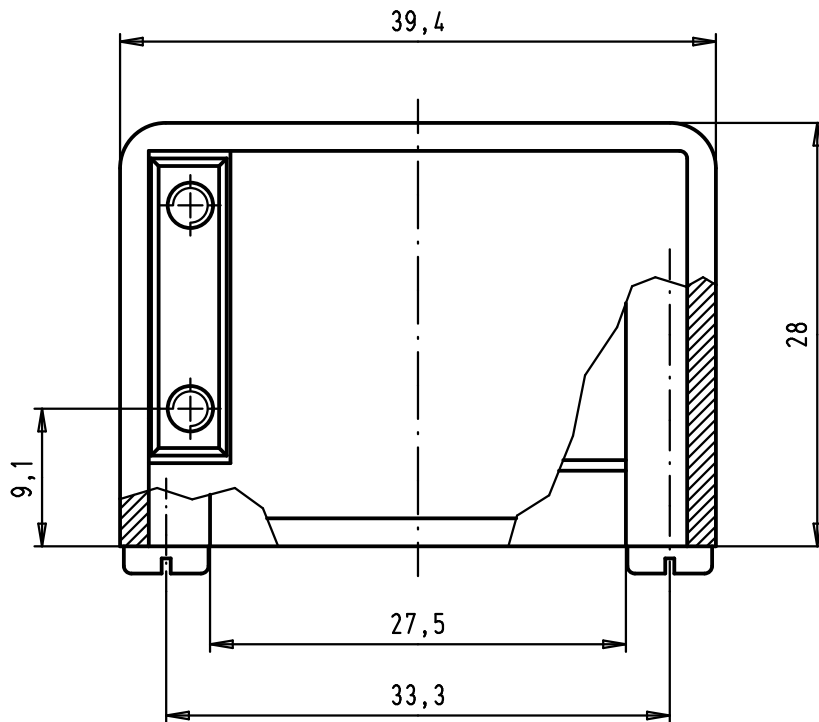
3

2

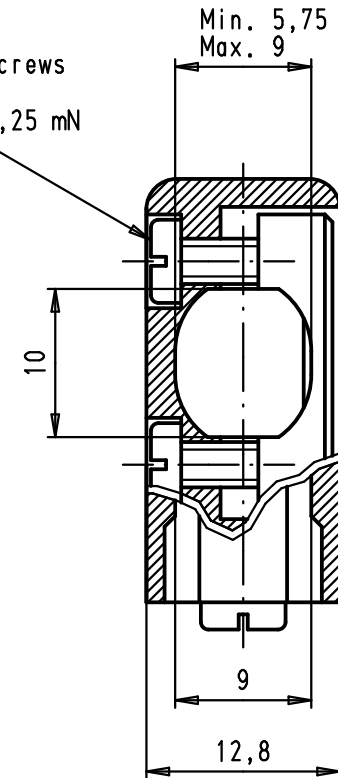
1



Slotted pan head tapping screws
DIN 7971-ST 2,9 x 6,5-F
Maximum screwing torque= 1 mN



Slotted pan head tapping screws
DIN 7971-ST 2,2 x 9,5-F
Maximum screwing torque= 0,25 mN



D

C

B

A

					Dot.	Name	<p>All Dim. in mm Orig. Size DIN A 4</p>
					Detail.	28/03/02 CV	
					Insp.		
					Stand.		
	34886	26/02/08	PK	HARTING EURL F-95972 Paris			
	29760	28/03/02	CV				
	Mod.	Dot.	Name				

D-Sub, hood 15 poles
for spring or slide
locking, side cable entry

TB 09 67 015 051X

Sub.

Maßstab/
Scale
2:1

Blatt/ Page
1/1

09 67 015 0513	Thermoplastic metallized
09 67 015 0511	Thermoplastic grey RAL 7032
Part number	Material